

FLOOR TYPE AIR CONDITIONERS

MFZ-KJ25VE MFZ-KJ35VE MFZ-KJ50VE

INSTALLATION MANUAL

For INSTALLER

- When installing multi units, refer to the installation manual of the multi unit for outdoor unit installation.

English

INSTALLATIONSANLEITUNG

FÜR DEN INSTALLATEUR

- Bei der Installation von Multigeräten siehe Installationsanleitung des Multigeräts zur Installation des Außengeräts.

Deutsch

NOTICE D'INSTALLATION

POUR L'INSTALLATEUR

- Lors de l'installation d'unités multiples, consultez la notice d'installation des unités externes multiples.

Français

INSTALLATIEHANDLEIDING

VOOR DE INSTALLATEUR

- Raadpleeg bij het installeren van multiunits de installatiehandleiding van de multi-unit voor het installeren van de buitenunit.

Nederlands

MANUAL DE INSTALACIÓN

PARA EL INSTALADOR

- Al instalar unidades múltiples, consulte el manual de instalación de la unidad múltiple para obtener información sobre la instalación de la unidad exterior.

Español

MANUALE PER L'INSTALLAZIONE

PER IL TECNICO INSTALLATORE

- Quando si installano unità multiple, fare riferimento al manuale per l'installazione dell'unità multipla per installare l'unità esterna.

Italiano

ΕΓΧΕΙΡΙΔΙΟ ΕΓΚΑΤΑΣΤΑΣΗΣ

ΓΙΑ ΤΟΝ ΤΕΧΝΙΚΟ

- Κατά την εγκατάσταση πολλαπλών μονάδων, ανατρέξτε στο εγχειρίδιο εγκατάστασης της πολλαπλής μονάδας για εγκατάσταση εξωτερικής μονάδας.

Ελληνικά

MANUAL DE INSTALAÇÃO

PARA O INSTALADOR

- Para instalar várias unidades, consulte o respectivo manual de instalação para as unidades exteriores.

Português

INSTALLATIONSHÅNDBOG

TIL INSTALLATØREN

- Se installationsmanualen for multi-enheden for installation af udendørsenhed, når der installeres flere enheder.

Dansk

INSTALLATIONSANVISNING

FÖR INSTALLATÖR

- Vid installation av multienheter, se installationsanvisningen för multienheten för installation av utomhusenheter.

Svenska

TESİS ETME KILAVUZU

TESİSATÇI İÇİN

- Çoklu üniteleri tesis ederken dış ünitenin tesisleriyle ilgili çoklu ünite tesis etme kılavuzuna bakınız.

Türkçe

РУКОВОДСТВО ПО УСТАНОВКЕ

ДЛЯ МОНТАЖНИКА

- При установке многофункционального прибора, см. руководство по установке многофункционального прибора для указаний по установке прибора вне помещения.

Русский

CONTENTS

1. BEFORE INSTALLATION.....	1
2. INDOOR UNIT INSTALLATION.....	3
3. OUTDOOR UNIT INSTALLATION.....	6
4. PURGING PROCEDURES, LEAK TEST, AND TEST RUN.....	7
5. PUMPING DOWN.....	7

Model names are indicated in 1-3.

Required Tools for Installation

Phillips screwdriver	Wrench (or spanner)
Level	4 mm hexagonal wrench
Scale	Flare tool for R410A
Utility knife or scissors	Gauge manifold for R410A
25, 35 class 65 mm/50	Vacuum pump for R410A
class 75 mm hole saw	Charge hose for R410A
Torque wrench	Pipe cutter with reamer

1. BEFORE INSTALLATION

1-1. THE FOLLOWING SHOULD ALWAYS BE OBSERVED FOR SAFETY

- Be sure to read "THE FOLLOWING SHOULD ALWAYS BE OBSERVED FOR SAFETY" before installing the air conditioner.
- Be sure to observe the warnings and cautions specified here as they include important items related to safety.
- After reading this manual, be sure to keep it together with the OPERATING INSTRUCTIONS for future reference.

⚠ WARNING (Could lead to death, serious injury, etc.)

- **Do not install the unit by yourself (user).**
Incomplete installation could cause fire, electric shock, injury due to the unit falling, or leakage of water. Consult the dealer from whom you purchased the unit or a qualified installer.
- **Perform the installation securely referring to the installation manual.**
Incomplete installation could cause fire, electric shock, injury due to the unit falling, or leakage of water.
- **When installing the unit, use appropriate protective equipment and tools for safety.**
Failure to do so could cause injury.
- **Install the unit securely in a place which can bear the weight of the unit.**
If the installation location cannot bear the weight of the unit, the unit could fall causing injury.
- **Electrical work should be performed by a qualified, experienced electrician, according to the installation manual. Be sure to use an exclusive circuit. Do not connect other electrical appliances to the circuit.**
If the capacity of the power circuit is insufficient or there is incomplete electrical work, it could result in a fire or an electric shock.
- **Earth the unit correctly.**
Do not connect the earth to a gas pipe, water pipe, lightning rod or telephone earth. Defective earthing could cause electric shock.
- **Do not damage the wires by applying excessive pressure with parts or screws.**
Damaged wires could cause fire or electric shock.
- **Be sure to cut off the main power in case of setting up the indoor P.C. board or wiring works.**
Failure to do so could cause electric shock.
- **Use the specified wires to connect the indoor and outdoor units securely and attach the wires firmly to the terminal block connecting sections so the stress of the wires is not applied to the sections. Do not extend the wires, or use intermediate connection.**
Incomplete connecting and securing could cause fire.
- **Do not install the unit in a place where inflammable gas may leak.**
If gas leaks and accumulates in the area around the unit, it could cause an explosion.
- **Do not use intermediate connection of the power cord or the extension cord and do not connect many devices to one AC outlet.**
It could cause a fire or an electric shock due to defective contact, defective insulation, exceeding the permissible current, etc.
- **Be sure to use the parts provided or specified parts for the installation work.**
The use of defective parts could cause an injury or leakage of water due to a fire, an electric shock, the unit falling, etc.
- **When plugging the power supply plug into the outlet, make sure that there is no dust, clogging, or loose parts in both the outlet and the plug. Make sure that the power supply plug is pushed completely into the outlet.**
If there is dust, clogging, or loose parts on the power supply plug or the outlet, it could cause electric shock or fire. If loose parts are found on the power supply plug, replace it.
- **Attach the electrical cover to the indoor unit and the service panel to the outdoor unit securely.**
If the electrical cover of the indoor unit and/or the service panel of the outdoor unit are not attached securely, it could result in a fire or an electric shock due to dust, water, etc.
- **When installing, relocating, or servicing the unit, make sure that no substance other than the specified refrigerant (R410A) enters the refrigerant circuit.**
Any presence of foreign substance such as air can cause abnormal pressure rise and may result in explosion or injury. The use of any refrigerant other than that specified for the system will cause mechanical failure, system malfunction, or unit breakdown. In the worst case, this could lead to a serious impediment to securing product safety.
- **Do not discharge the refrigerant into the atmosphere. If refrigerant leaks during installation, ventilate the room.**
If refrigerant comes in contact with a fire, harmful gas could be generated. Refrigerant leakage may cause suffocation. Provide ventilation in accordance with EN378-1.
- **Check that the refrigerant gas does not leak after installation has been completed.**
If refrigerant gas leaks indoors, and comes into contact with the flame of a fan heater, space heater, stove, etc., harmful substances will be generated.
- **Use appropriate tools and piping materials for installation.**
The pressure of R410A is 1.6 times more than R22. Not using appropriate tools or materials and incomplete installation could cause the pipes to burst or injury.
- **When pumping down the refrigerant, stop the compressor before disconnecting the refrigerant pipes.**
If the refrigerant pipes are disconnected while the compressor is running and the stop valve is open, air could be drawn in and the pressure in the refrigeration cycle could become abnormally high. This could cause the pipes to burst or injury.
- **When installing the unit, securely connect the refrigerant pipes before starting the compressor.**
If the compressor is started before the refrigerant pipes are connected and when the stop valve is open, air could be drawn in and the pressure in the refrigeration cycle could become abnormally high. This could cause the pipes to burst or injury.
- **Fasten a flare nut with a torque wrench as specified in this manual.**
If fastened too tight, a flare nut may break after a long period and cause refrigerant leakage.
- **The unit shall be installed in accordance with national wiring regulations.**

⚠ CAUTION (Could lead to serious injury in particular environments when operated incorrectly.)

- **Install an earth leakage breaker depending on the installation place.**
If an earth leakage breaker is not installed, it could cause electric shock.
- **Perform the drainage/piping work securely according to the installation manual.**
If there is defect in the drainage/piping work, water could drop from the unit, soaking and damaging household goods.
- **Do not touch the air inlet or the aluminum fins of the outdoor unit.**
This could cause injury.
- **Do not install the outdoor unit where small animals may live.**
If small animals enter and touch the electric parts inside the unit, it could cause a malfunction, smoke emission, or fire. Also, advise user to keep the area around the unit clean.

1-2. SELECTING THE INSTALLATION LOCATION

INDOOR UNIT

- Where airflow is not blocked.
- Where air spreads over the entire room.
- Rigid wall without vibration.
- Where it is not exposed to direct sunshine. Do not expose to direct sunshine also during the period following unpacking to before use.
- Where easily drained.
- At a distance 1 m or more away from your TV and radio. Operation of the air conditioner may interfere with radio or TV reception. An amplifier may be required for the affected device.
- In a place as far away as possible from fluorescent and incandescent lights (so the infrared remote control can operate the air conditioner normally).
- Where the air filter can be removed and replaced easily.

REMOTE CONTROLLER

- Where it is easy to operate and easily visible.
- Where children cannot touch it.
- Select the position where the indoor unit can receive the signal from the remote controller properly. Check that signals from the remote controller are surely received by the indoor unit from that position ("beep" or "beep beep" receiving tone sounds). After that, attach remote controller holder to a pillar or wall and install wireless remote controller.

Note:

In rooms where inverter type fluorescent lamps are used, the signal from the wireless remote controller may not be received.

OUTDOOR UNIT

- Where it is not exposed to strong wind.
- Where airflow is good and dustless.
- Where rain or direct sunlight can be avoided as much as possible.
- Where neighbours are not annoyed by operation sound or hot air.
- Where rigid wall or support is available to prevent the increase of operation sound or vibration.
- Where there is no risk of combustible gas leakage.
- When installing the unit at a high level, be sure to secure the unit legs.
- Where it is at least 3 m away from the antenna of TV set or radio. Operation of the air conditioner may interfere with radio or TV reception in areas where reception is weak. An amplifier may be required for the affected device.
- Install the unit horizontally.
- Please install it in an area not affected by snowfall or blowing snow. In areas with heavy snow, please install a canopy, a pedestal and/or some baffle boards.

Note:

It is advisable to make a piping loop near outdoor unit so as to reduce vibration transmitted from there.

Note:

When operating the air conditioner in low outside temperature, be sure to follow the instructions described below.

- Never install the outdoor unit in a place where its air inlet/outlet side may be exposed directly to wind.
 - To prevent exposure to wind, install the outdoor unit with its air inlet side facing the wall.
 - To prevent exposure to wind, it is recommended to install a baffle board on the air outlet side of the outdoor unit.
- Avoid the following places for installation where air conditioner trouble is liable to occur.
- Where flammable gas could leak.
 - Where there is much machine oil.
 - Where oil is splashed or where the area is filled with oily smoke (such as cooking areas and factories, in which the properties of plastic could be changed and damaged).
 - Salty places such as the seaside.
 - Where sulfide gas is generated such as a hot spring.
 - Where there is high-frequency or wireless equipment.
 - Where there is emission of high levels of VOCs, including phthalate compounds, formaldehyde, etc., which may cause chemical cracking.

1-3. SPECIFICATIONS

Model		Power supply *1		Wire specifications *2		Pipe size (thickness *3, *4)	
Indoor unit	Outdoor unit	Rated Voltage	Frequency	Breaker capacity	Power supply (3-core)	Indoor/outdoor connecting wire	
MFZ-KJ25VE	MUFZ-KJ25VE(HZ)	230 V	50 Hz	10 A	1.0 mm ²	4-core 2.0 mm ²	ø9.52 / 6.35 mm (0.8 mm)
MFZ-KJ35VE	MUFZ-KJ35VE			12 A	1.5 mm ²		
MFZ-KJ35VE	MUFZ-KJ35VE(HZ)			16 A	2.0 mm ²		
MFZ-KJ50VE	MUFZ-KJ50VE(HZ)						ø12.7 / 6.35 mm (0.8 mm)

(KJ25, 35/KJ50)

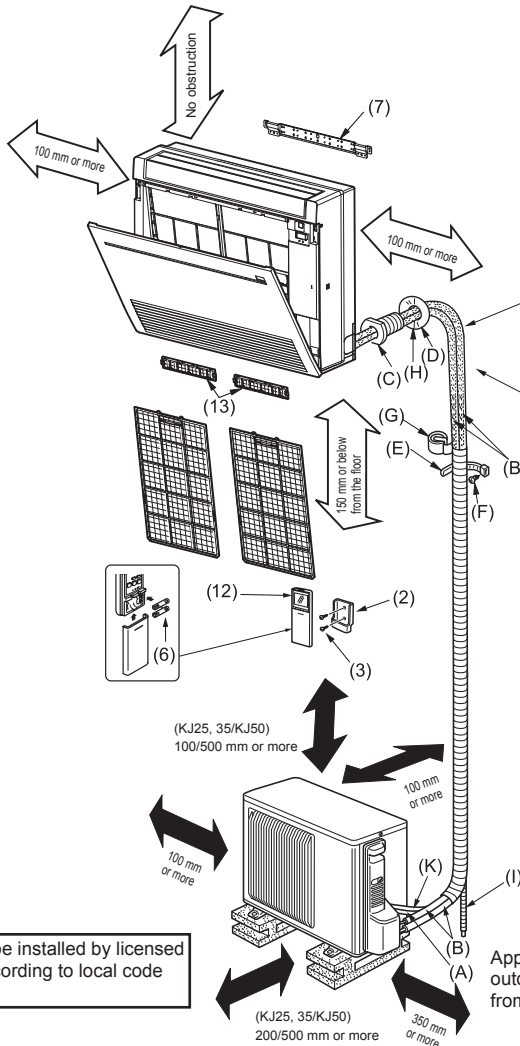
Pipe length and height difference	
Max. pipe length	20/30 m
Max. height difference	12/15 m
Max. number of bends *5, *6	10
Refrigerant adjustment A *7	30/20 g/m
Insulation thickness *8, *9	8 mm

- *1 Connect to the power switch which has a gap of 3 mm or more when open to interrupt the source power phase. (When the power switch is shut off, it must interrupt all phases.)
- *2 Use wires in conformity with design 60245 IEC 57.
- *3 Never use pipes with thickness less than specified. The pressure resistance will be insufficient.
- *4 Use a copper pipe or a copper-alloy seamless pipe.

- *5 Be careful not to crush or bend the pipe during pipe bending.
- *6 Refrigerant pipe bending radius must be 100 mm or more.
- *7 If pipe length exceeds 7 m, additional refrigerant (R410A) charge is required. (No additional charge is required for pipe length less than 7 m.)
Additional refrigerant = A × (pipe length (m) - 7)

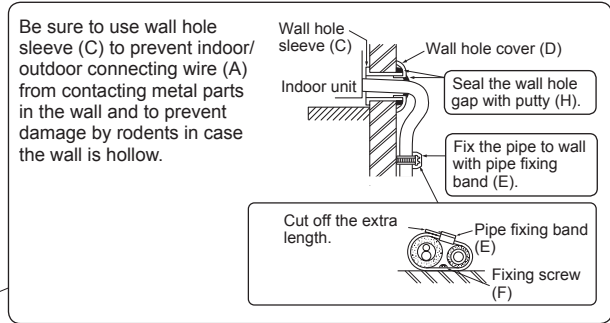
- *8 Insulation material : Heat resisting foam plastic 0.045 specific gravity
- *9 Be sure to use the insulation of specified thickness. Excessive thickness may cause incorrect installation of the indoor unit and insufficient thickness may cause dew drip-page.

1-4. INSTALLATION DIAGRAM



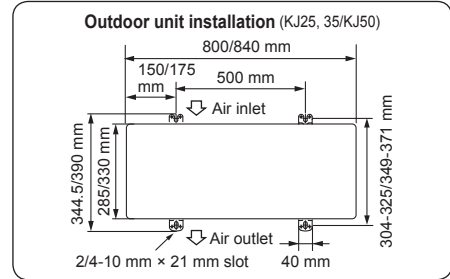
Units should be installed by licensed contractor according to local code requirements.

Appearance of the outdoor unit may differ from some models.



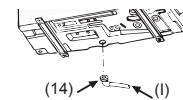
After the leak test, apply insulating material tightly so that there is no gap.

When the piping is to be attached to a wall containing metals (tin plated) or metal netting, use a chemically treated wooden piece 20 mm or thicker between the wall and the piping or wrap 7 to 8 turns of insulation vinyl tape around the piping.
To use existing piping, perform COOL operation for 30 minutes and pump down before removing the old air conditioner. Remake flare according to the dimension for new refrigerant.



Drain piping for outdoor unit <VE type only>

- Provide drain piping before indoor and outdoor piping connection.
- Connect drain hose (I) I.D. 15 mm as shown in the illustration.
- Make sure to provide drain piping with a downhill grade for easy drain flow.



Note:
Install the unit horizontally.
Do not use drain socket (14) in cold regions. Drain may freeze and make the fan stop.
The outdoor unit produces condensate during the heating operation. Select the installation place to ensure to prevent the outdoor unit and/or the grounds from being wet by drain water or damaged by frozen drain water.

ACCESSORIES

Check the following parts before installation.

(1)	Drain hose*	1
(2)	Remote controller holder	1
(3)	Fixing screw for (2) 3.5 × 16 mm (Black)	2
(4)	Pipe cover	1
(5)	Band	2
(6)	Battery (AAA) for (12)	2
(7)	Indoor unit mounting bracket	1
(8)	Fixing screw for (7) 4 × 25 mm	5
(9)	Wood screw for indoor unit fixation	4
(10)	Washer of (9)	4
(11)	Felt tape (For left or left-rear piping)	1
(12)	Wireless remote controller	1
(13)	Air cleaning filter	2

*** Note:**

The Drain hose is connected to the unit.

<Outdoor unit>

(14)	Drain socket (VE type only)	1
------	-----------------------------	---

PARTS TO BE PROVIDED AT YOUR SITE

(A)	Indoor/outdoor unit connecting wire*	1
(B)	Extension pipe	1
(C)	Wall hole sleeve	1
(D)	Wall hole cover	1
(E)	Pipe fixing band	2 to 5
(F)	Fixing screw for (E) 4 × 20 mm	2 to 5
(G)	Piping tape	1
(H)	Putty	1
(I)	Drain hose (or soft PVC hose, 15 mm inner dia. or hard PVC pipe VP16)	1 or 2
(J)	Refrigeration oil	1
(K)	Power supply cord*	1

*** Note:**

Place indoor/outdoor unit connecting wire (A) and power supply cord (K) at least 1 m away from the TV antenna wire.

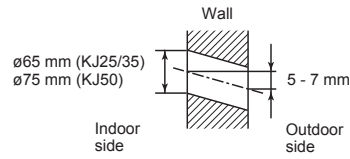
2. INDOOR UNIT INSTALLATION

2-1. FIXING OF INDOOR UNIT MOUNTING BRACKET

- Find a structural material (such as a stud) in the wall and fix bracket (7) horizontally with fixing screws (8).
- To prevent bracket (7) from vibrating, be sure to install the fixing screws in the holes indicated in the illustration. For added support, fixing screws may also be installed in other holes.

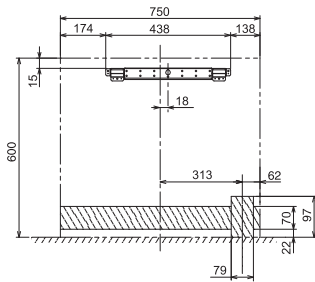
2-2. HOLE DRILLING

- 1) Determine the wall hole position.
- 2) Drill a dia. 65 mm hole (dia. 75 mm for KJ50). The outdoor side should be 5 to 7 mm lower than the indoor side.
- 3) Insert wall hole sleeve (C).

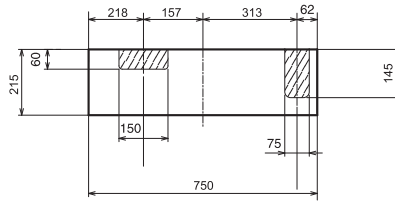


HOLE POSITIONS

FOR REAR OR LEFT-REAR PIPING
(The following figure is a front view of the indoor unit installation location.)

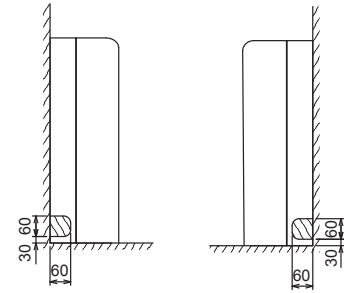


FOR RIGHT DOWNWARD OR LEFT DOWNWARD PIPING
(The following figure is a view of the bottom of the indoor unit from above.)



FOR LEFT PIPING

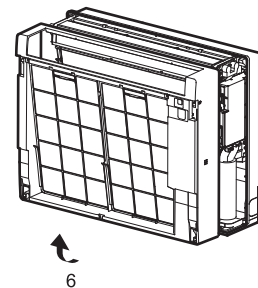
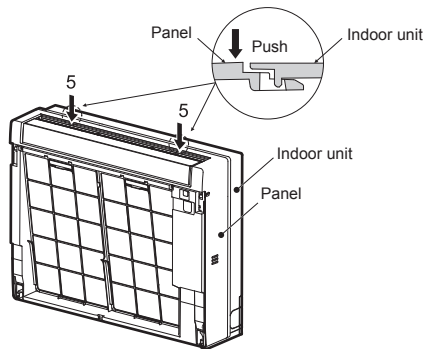
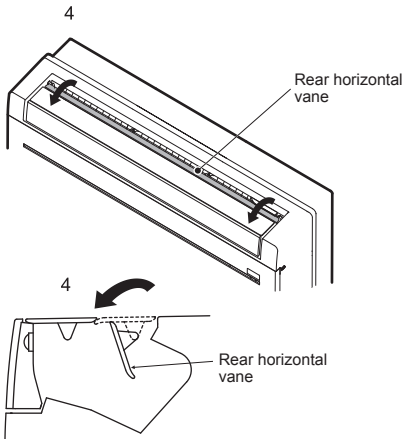
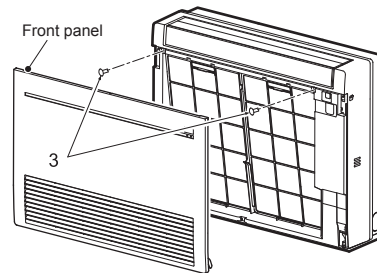
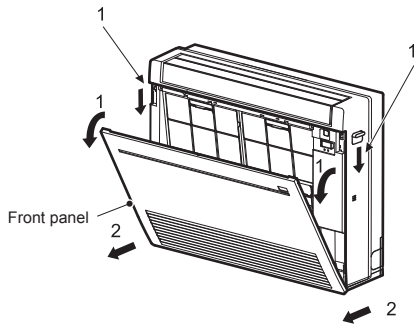
FOR RIGHT PIPING



2-3. INDOOR UNIT PREPARATION

Remove the front panel of the indoor unit.

- 1) Push down the tab on the both sides of the unit to open the front panel.
- 2) Pull the front panel toward you to remove it.
- 3) Remove the 2 screws.
- 4) Open the rear horizontal vane.
- 5) Push the 2 locations on the top of the panel, and then pull the upper part of the panel toward you.
- 6) Remove the panel while lifting it up (slightly).



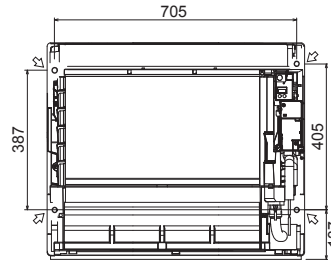
2-4. INDOOR UNIT INSTALLATION

2-4-1. INSTALLING THE INDOOR UNIT ON THE FLOOR

1. Place the indoor unit on the flat floor.
2. Fix the indoor unit at 4 points with the included wood screws (9) and washers (10). Tighten the screws securely.

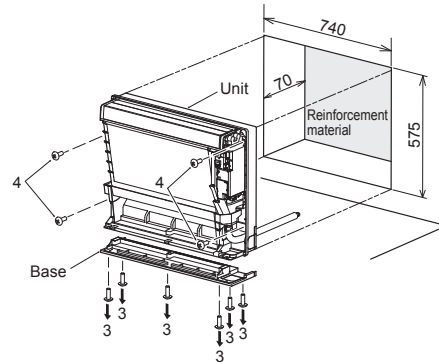
2-4-2. MOUNTING THE INDOOR UNIT ON THE WALL

1. Hook the top of the indoor unit on the indoor unit mounting bracket (7).
2. Fix the indoor unit at 4 points with the included wood screws (9) and washers (10). Tighten the screws securely.



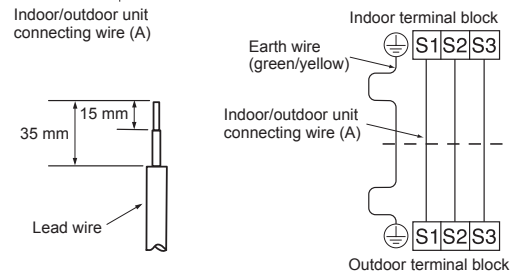
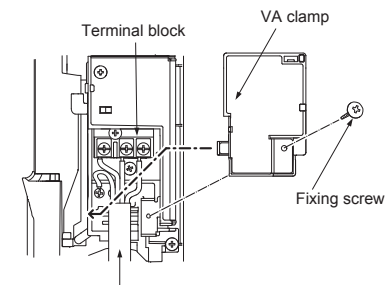
2-4-3. EMBEDDING THE INDOOR UNIT IN A WALL

1. Make a hole in the wall.
2. Using reinforcement material, adjust the depth.
3. Remove 6 screws that fix the base to the unit. Remove the base from the unit.
4. Fix the indoor unit at 4 points with the included wood screws (9) and washers (10). Tighten the screws securely.



2-5. CONNECTING WIRES FOR INDOOR UNIT

- 1) Remove VA clamp.
- 2) Pass indoor/outdoor unit connecting wire (A) from the back of the indoor unit and process the end of the wire.
- 3) Loosen terminal screw, and connect first the earth wire, then indoor/outdoor unit connecting wire (A) to the terminal block. Be careful not to make mis-wiring. Fix the wire to the terminal block securely so that no part of its core is appeared, and no external force is conveyed to the connecting section of the terminal block.
- 4) Firmly tighten the terminal screws to prevent them from loosening. After tightening, pull the wires lightly to confirm that they do not move.
- 5) Secure indoor/outdoor unit connecting wire (A) and the earth wire with the VA clamp. Never fail to hook the left claw of the VA clamp. Attach the VA clamp securely.



- Make earth wire a little longer than others. (More than 45 mm)
- For future servicing, give extra length to the connecting wires.
- Do not fold the excess wire, or cram it into small space. Take caution not to damage the wires.
- Be sure to attach each screw to its correspondent terminal when securing the cord and/or the wire to the terminal block.

2-6. PIPE FORMING AND INSTALLATION

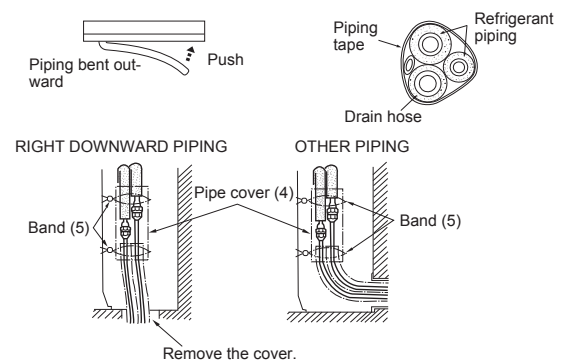
Pipe Forming

- Route the drain hose diagonally below the connecting pipes.
- Make sure that the drain hose is not routed upward and that there are no waves in the hose.
- Do not pull the hose when applying the tape.
- Route the piping so that it does not project past the rear of the indoor unit. (Refer to the figure to the right.)

Connecting Pipe Installation

- Install the connecting pipes so that the piping can move slightly to the front, back, left, and right.

- Be sure to insulate the connecting pipes so that they do not contact the panel.
- Be careful not to crush the connecting pipes when bending them.



FOR LEFT OR LEFT-REAR PIPING

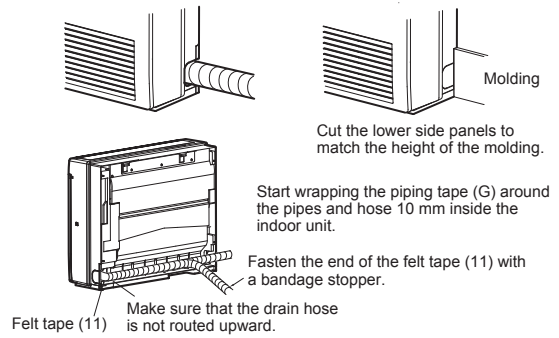
Bundle the connecting pipes and drain hose together, and then wrap them in felt tape (11).

Cut and use the lower side panels on the left and right sides of the indoor unit as shown below.

Smooth the cut edges of the side panels so that they will not damage the insulation coating.

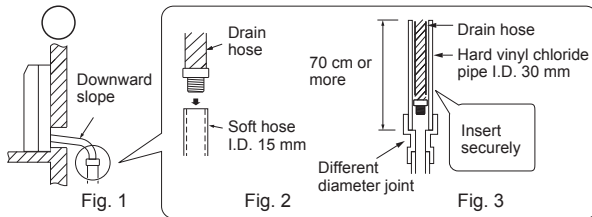
- For left or right piping
- Installing flush against a wall with molding

Wrap the felt tape (11) tightly around the pipes and hose starting near where the pipes and hose are routed from the indoor unit. (The overlap width of the felt tape (11) should not be more than 1/2 of the tape width.)

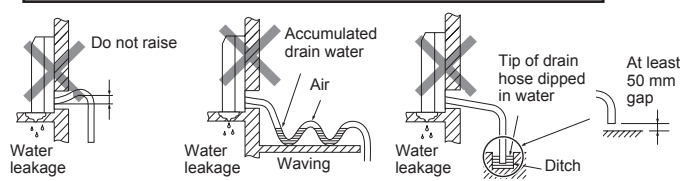


2-7. DRAIN PIPING

- If the extension drain hose has to pass through a room, be sure to wrap it with commercially sold insulation.
- The drain hose should point downward for easy drain flow. (Fig. 1)
- If the drain hose provided with the indoor unit is too short, connect it with drain hose (I) that should be provided at your site. (Fig. 2)
- When connecting the drain hose to the hard vinyl chloride pipe, be sure to insert it securely into the pipe. (Fig. 3)

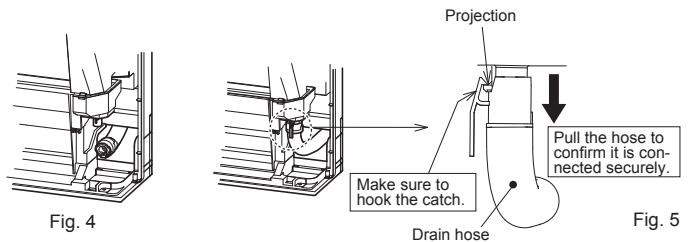


Do not make drain piping as shown below.



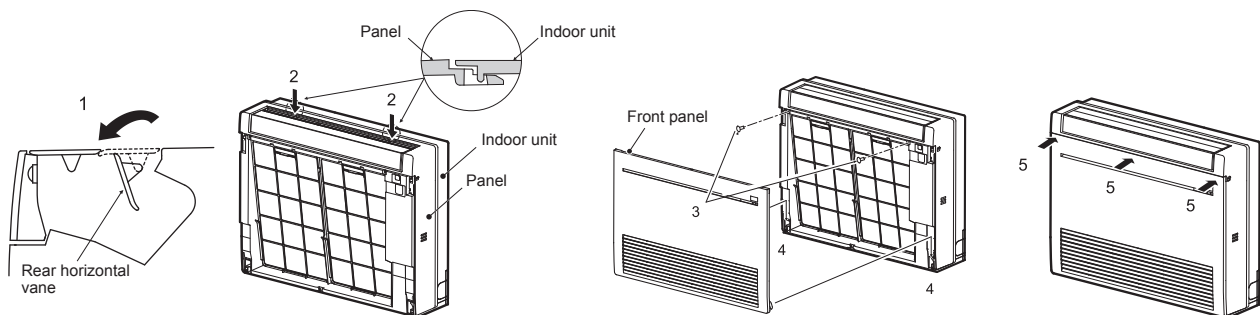
The Drain hose is removed at installation.

- When routing the drain piping, make sure that the drain hose (1) is routed as shown. (Fig. 4)
 - Insert the drain hose all the way to the base of the drain pan (end connection). (Fig. 5)
- Make sure that the catch of the drain hose is securely hooked onto the projection on the hose fitting of the drain pan.
- After connecting the drain hose, be sure to pull the hose to confirm that it is connected securely.



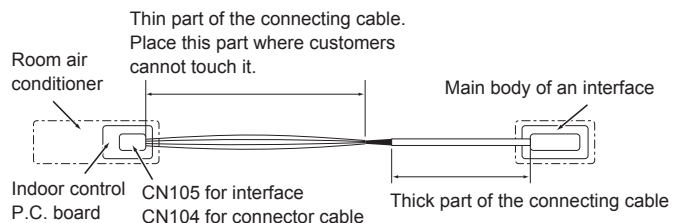
2-8. FRONT PANEL INSTALLATION

- 1) Open the rear horizontal vane.
- 2) Attach the panel. Make sure that the catches are engaged.
- 3) Fix the panel with screws.
- 4) Insert the bottom part of the front panel.
- 5) Push 3 places on the upper part of the front panel to close it.



2-9. CONNECTING AN INTERFACE (option)/CONNECTOR CABLE (option) TO THE AIR CONDITIONER

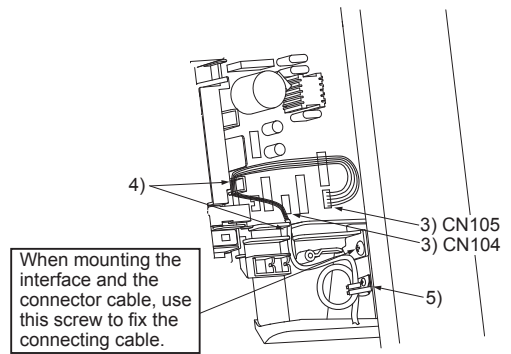
- Connect an interface/connector cable to the indoor control P.C. board of an air conditioner with a connecting cable.
- Cutting or extending the connecting cable of the interface/connector cable results in defects in connecting. Do not bundle the connecting cable together with power supply cord, indoor/outdoor connecting wire, and/or earth wire. Keep as much distance as possible between the connecting cable and those wires.
- The thin part of the connecting cable should be stored and placed where customers cannot touch it.



- 1) Remove the panel.
- 2) Open the cover of the indoor control P.C. board.
- 3) Join the connecting cable to CN105 and/or CN104 on the indoor control P.C. board.
- 4) Route the connecting cable through this point in the figure.
- 5) Attach the cable clamp provided with interface/connector cable to the thick part of the connecting cable with a screw 4×16 as shown in the figure.
- 6) Close the cover of the indoor control P.C. board. Be careful not to catch the thin part of the connecting cable in the cover. Reinstall the panel.

⚠ WARNING

Fix the connecting cable at the prescribed position securely. Incorrect installation may cause electric shock, fire, and/ or malfunction.

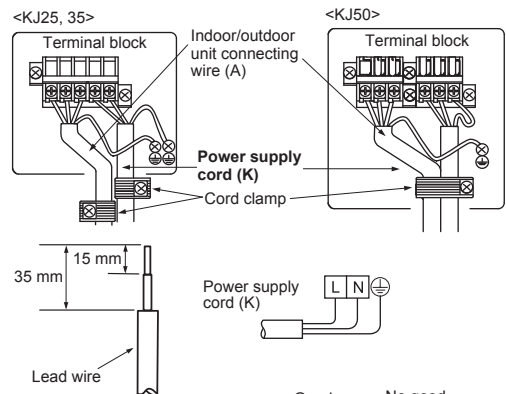


3. OUTDOOR UNIT INSTALLATION

3-1. CONNECTING WIRES FOR OUTDOOR UNIT

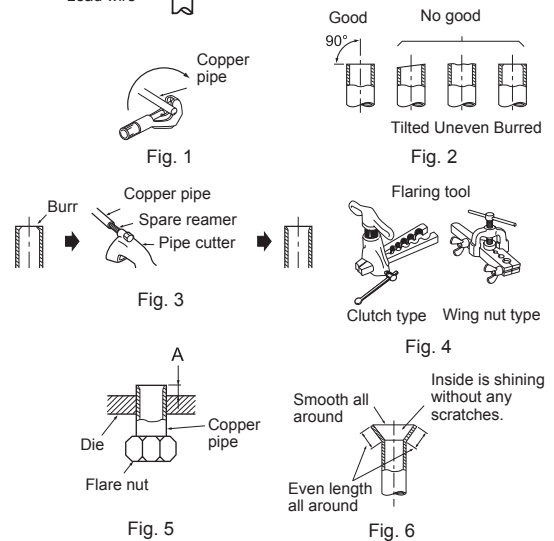
- 1) Open the service panel.
- 2) Loosen terminal screw, and connect indoor/outdoor unit connecting wire (A) from the indoor unit correctly on the terminal block. Be careful not to make mis-wiring. Fix the wire to the terminal block securely so that no part of its core is appeared, and no external force is conveyed to the connecting section of the terminal block.
- 3) Firmly tighten the terminal screws to prevent them from loosening. After tightening, pull the wires lightly to confirm that they do not move.
- 4) Connect power supply cord (K).
- 5) Fix indoor/outdoor unit connecting wire (A) and power supply cord (K) with the cord clamp.
- 6) Close the service panel securely.

- Make earth wire a little longer than others. (More than 100 mm)
- For future servicing, give extra length to the connecting wires.
- Be sure to attach each screw to its correspondent terminal when securing the cord and/or the wire to the terminal block.



3-2. FLARING WORK

- 1) Cut the copper pipe correctly with pipe cutter. (Fig. 1, 2)
- 2) Completely remove all burrs from the cut cross section of pipe. (Fig. 3)
 - Put the end of the copper pipe to downward direction as you remove burrs in order to avoid to let burrs drop in the piping.
- 3) Remove flare nuts attached to indoor and outdoor units, then put them on pipe having completed burr removal. (Not possible to put them on after flaring work.)
- 4) Flaring work (Fig. 4, 5). Firmly hold copper pipe in the dimension shown in the table. Select A mm from the table according to the tool you use.
- 5) Check
 - Compare the flared work with Fig. 6.
 - If flare is noted to be defective, cut off the flared section and do flaring work again.



Pipe diameter (mm)	Nut (mm)	A (mm)			Tightening torque	
		Clutch type tool for R410A	Clutch type tool for R22	Wing nut type tool for R22	N•m	kgf•cm
ø 6.35 (1/4")	17	0 to 0.5	1.0 to 1.5	1.5 to 2.0	13.7 to 17.7	140 to 180
ø 9.52 (3/8")	22			2.0 to 2.5	34.3 to 41.2	350 to 420
ø 12.7 (1/2")	26			49.0 to 56.4	500 to 575	
ø 15.88 (5/8")	29			73.5 to 78.4	750 to 800	

3-3. PIPE CONNECTION

- Fasten flare nut with a torque wrench as specified in the table.
- When fastened too tight, flare nut may break after a long period and cause refrigerant leakage.
- Be sure to wrap insulation around the piping. Direct contact with the bare piping may result in burns or frostbite.

Indoor unit connection

Connect both liquid and gas pipings to indoor unit.

- Apply a thin coat of refrigeration oil (J) on the flared ends of the pipes. Do not apply refrigeration oil on screw threads. Excessive tightening torque will result in damage on the screw.
- For connection, first align the center, then tighten the first 3 to 4 turns of flare nut.
- Use tightening torque table above as a guideline for indoor unit side union joint section, and tighten using two wrenches. Excessive tightening damages the flare section.

Outdoor unit connection

Connect pipes to stop valve pipe joint of the outdoor unit in the same manner applied for indoor unit.

- For tightening, use a torque wrench or spanner and use the same tightening torque applied for indoor unit.

⚠ WARNING

When installing the unit, securely connect the refrigerant pipes before starting the compressor.

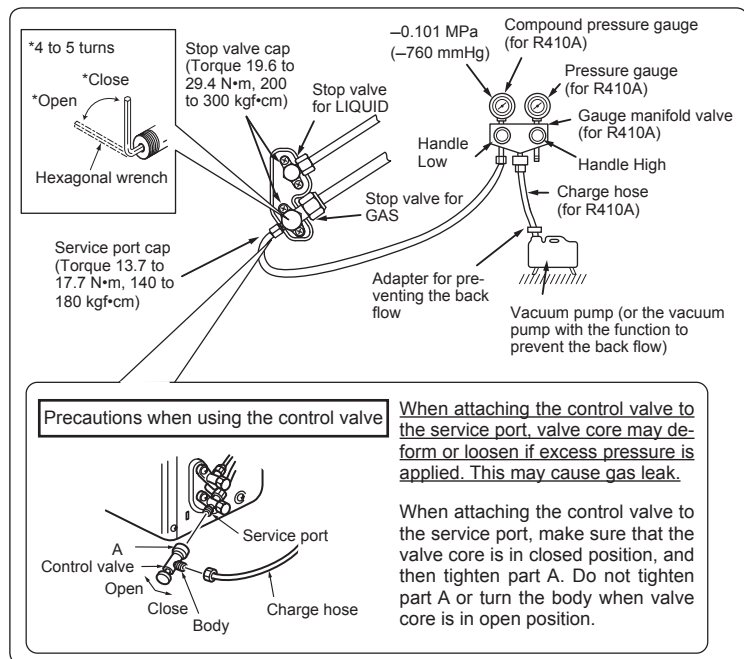
3-4. INSULATION AND TAPING

- 1) Cover piping joints with pipe cover.
- 2) For outdoor unit side, surely insulate every piping including valves.
- 3) Using piping tape (G), apply taping starting from the entry of outdoor unit.
 - Stop the end of piping tape (G) with tape (with adhesive agent attached).
 - When piping have to be arranged through above ceiling, closet or where the temperature and humidity are high, wind additional commercially sold insulation to prevent condensation.

4. PURGING PROCEDURES, LEAK TEST, AND TEST RUN

4-1. PURGING PROCEDURES AND LEAK TEST

- 1) Remove service port cap of stop valve on the side of the outdoor unit gas pipe. (The stop valves are fully closed and covered in caps in initial state.)
- 2) Connect gauge manifold valve and vacuum pump to service port of stop valve on the gas pipe side of the outdoor unit.
- 3) Run the vacuum pump. (Vacuumize for more than 15 minutes.)
- 4) Check the vacuum with gauge manifold valve, then close gauge manifold valve, and stop the vacuum pump.
- 5) Leave as it is for one or two minutes. Make sure pointer gauge manifold valve remains in the same position. Confirm that pressure gauge shows -0.101 MPa [Gauge] (-760 mmHg).
- 6) Remove gauge manifold valve quickly from service port of stop valve.
- 7) After refrigerant pipes are connected and evacuated, fully open all stop valves on both sides of gas pipe and liquid pipe. Operating without fully opening lowers the performance and this causes trouble.
- 8) Refer to 1-3., and charge the prescribed amount of refrigerant if needed. Be sure to charge slowly with liquid refrigerant. Otherwise, composition of the refrigerant in the system may be changed and affect performance of the air conditioner.
- 9) Tighten cap of service port to obtain the initial status.
- 10) Leak test



4-2. TEST RUN

Make sure the following is done.

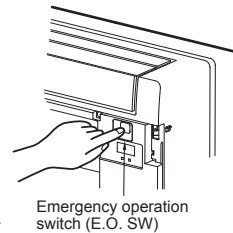
- Panel is installed correctly.
- Indoor and outdoor units are installed correctly, and power is supplied.

- 1) Press the E.O. SW once for COOL, and twice for HEAT operation. Test run will be performed for 30 minutes. If the left lamp of the operation indicator blinks every 0.5 seconds, inspect the indoor/outdoor unit connecting wire (A) for mis-wiring. After the test run, emergency mode (set temperature 24°C) will start.
- 2) To stop operation, press the E.O. SW several times until all LED lamps turn off. Refer to operating instructions for details.

Checking the remote (infrared) signal reception

Press the ON/OFF button on the remote controller (12) and check that an electronic sound is heard from the indoor unit. Press the ON/OFF button again to turn the air conditioner off.

- Once the compressor stops, the restart preventive device operates so the compressor will not operate for 3 minutes to protect the air conditioner.



4-3. AUTO RESTART FUNCTION

This product is equipped with an auto restart function. When the power supply is stopped during operation, such as during blackouts, the function automatically starts operation in the previous setting once the power supply is resumed. (Refer to the operating instructions for details.)

Caution:

- After test run or remote signal reception check, turn off the unit with the E.O. SW or the remote controller before turning off the power supply. Not doing so will cause the unit to start operation automatically when power supply is resumed.

To the user

- After installing the unit, make sure to explain the user about auto restart function.
- If auto restart function is unnecessary, it can be deactivated. Consult the service representative to deactivate the function. Refer to the service manual for details.

4-4. EXPLANATION TO THE USER

- Using the OPERATING INSTRUCTIONS, explain to the user how to use the air conditioner (how to use the remote controller, how to remove the air filters, how to remove or put the remote controller in the remote controller holder, how to clean, precautions for operation, etc.)
- Recommend the user to read the OPERATING INSTRUCTIONS carefully.

5. PUMPING DOWN

When relocating or disposing of the air conditioner, pump down the system following the procedure below so that no refrigerant is released into the atmosphere.

- 1) Connect the gauge manifold valve to the service port of the stop valve on the gas pipe side of the outdoor unit.
- 2) Fully close the stop valve on the liquid pipe side of the outdoor unit.
- 3) Close the stop valve on the gas pipe side of the outdoor unit almost completely so that it can be easily closed fully when the pressure gauge shows 0 MPa [Gauge] (0 kgf/cm²).
- 4) Start the emergency COOL operation.
To start the emergency operation in COOL mode, disconnect the power supply plug and/or turn off the breaker. After 15 seconds, connect the power supply plug and/or turn on the breaker, and then press the E.O. SW once. (The emergency COOL operation can be performed continuously for up to 30 minutes.)
- 5) Fully close the stop valve on the gas pipe side of the outdoor unit when the pressure gauge shows 0.05 to 0 MPa [Gauge] (approx. 0.5 to 0 kgf/cm²).
- 6) Stop the emergency COOL operation.
Press the E.O. SW twice to stop the operation.

WARNING

When pumping down the refrigerant, stop the compressor before disconnecting the refrigerant pipes. The compressor may burst if air etc. get into it.

INHALT

1. VOR DER INSTALLATION.....	1
2. INSTALLATION DES INNENGERÄTES	3
3. INSTALLATION DES AUSSENGERÄTES	6
4. SPÜLPROZEDUREN, LECKTEST UND TESTLAUF ...	7
5. LEERPUMPEN	7

Modellnamen sind in 1-3 aufgeführt.

Erforderliche Werkzeuge für die Installation

Kreuzschlitzschraubenzieher	Sechskantschlüssel
Stufe	4 mm Sechskantschlüssel
Maßstab	Kelchwerkzeug für R410A
Messer oder Schere	Verteiler des Messgerätes für R410A
Lochsäge der Klassen 25, 35, 65 mm / 50, 75 mm	Vakuumpumpe für R410A
Drehmomentschlüssel	Nachfüllschlauch für R410A
Schraubenschlüssel (oder	Rohrschneider mit Reibahle

1. VOR DER INSTALLATION

1-1. VORSICHTSMASSNAHMEN

- Lesen Sie unbedingt die "VORSICHTSMASSNAHMEN" vor dem Installieren des Klimageräts.
- Beachten Sie die hier aufgeführten Warnungen und Vorsichtsmaßnahmen zur Sicherheit.
- Bewahren Sie dieses Handbuch nach dem Lesen zusammen mit der **BEDIENUNGSANLEITUNG** zum späteren Nachschlagen auf.

⚠ **WARNUNG** (Kann zum Tode, schweren Verletzungen usw. führen.)

- **Installieren Sie (als Benutzer) die Anlage nicht selbst.** Eine falsche Installation kann zu Feuer, Stromschlägen, Verletzungen durch Herunterfallen der Einheit oder zu Wasseraustritt führen. Wenden Sie sich für die Installation an Ihren Fachhändler, bei dem Sie das Gerät gekauft haben, oder an autorisiertes Kundendienstpersonal.
- **Führen Sie die Installation unter genauer Einhaltung der Anweisungen der Installationsanleitung aus.** Eine falsche Installation kann zu Feuer, Stromschlägen, Verletzungen durch Herunterfallen der Einheit oder zu Wasseraustritt führen.
- **Verwenden Sie beim Installieren der Anlage zu Ihrer Sicherheit geeignete Schutzausrüstung und Werkzeuge.** Wird dies nicht getan, besteht Verletzungsgefahr.
- **Installieren Sie das Gerät an einem Ort, der das Gewicht des Geräts tragen kann.** Wenn der Installationsort nicht ausreichend tragfähig ist, kann das Gerät herunterfallen und Verletzungen verursachen.
- **Elektrische Arbeiten müssen unter Beachtung der Installationsanleitung von einem qualifizierten, erfahrenen Elektriker durchgeführt werden.** Das Gerät muss an einen eigenen, separat abgesicherten Kreis angeschlossen werden. Schließen Sie keine weiteren Elektrogeräte an diesen Kreis an. Falls die Kapazität des Sicherungskreises nicht ausreichend ist, oder die elektrische Verkabelung fehlerhaft ausgeführt wird, kann dies zu Feuer oder Stromschlägen führen.
- **Erden Sie das Klimagerät korrekt.** Schließen Sie das Erdungskabel niemals an einem Gasrohr, einem Wasserrohr, einem Blitzableiter oder dem Erdungsleiter einer Kommunikationsanlage (Telefon usw.) an. Fehlerhafte Erdung kann zu Stromschlägen führen.
- **Achten Sie darauf, die Kabel nicht zu beschädigen, indem Sie mit anderen Teilen oder Schrauben übermäßigen Druck ausüben.** Schadhafte Kabel können zu Bränden oder Stromschlägen führen.
- **Sorgen Sie dafür, dass beim Einbau der elektronischen P.C.-Steuertafel für das Innengerät oder bei der Verkabelung der Netzstrom abgeklemmt ist.** Wird dies nicht getan, besteht die Gefahr eines Stromschlags.
- **Verwenden Sie zur Verbindung von Innen und Außengerät die**

- angegebenen Leitungen, und schließen Sie die Drähte richtig an den Klemmleisten an, so dass die Klemmleisten nicht durch Zug an den Drähten beansprucht werden. Keine Verlängerungskabel und keine Zwischenanschlüsse verwenden. Falscher Anschluss und falsche Befestigung können Brände auslösen.
- **Installieren Sie die Geräte niemals an Orten, an denen brennbare Gase austreten können.** Falls brennbare Gase austreten und sich in der Nähe des Gerätes ansammeln, kann es zu einer Explosion kommen.
- **Schließen Sie das Stromkabel nicht über Zwischenanschlüsse oder Verlängerungskabel an, und schließen Sie nicht mehrere Geräte an einer Steckdose an.** Dies kann zu Feuer oder Stromschlägen aufgrund defekter Kontakte, defekter Isolierung oder dem Überschreiten der zulässigen Stromstärke usw. führen.
- **Verwenden Sie für die Installation die mitgelieferten bzw. angegebenen Teile.** Die Verwendung falscher Teile kann einen Wasseraustritt verursachen oder durch Feuer, Stromschlag, Herunterfallen der Einheit usw. Verletzungen verursachen.
- **Vor dem Einstecken des Stromkabels in die Steckdose, stellen Sie sicher, dass weder in Steckdose noch am Stecker Staub, Verschmutzungen oder lose Teile zu finden sind. Stecken Sie den Stecker des Stromkabels vollkommene in die Steckdose ein.** Wenn sich doch Staub, Verschmutzungen oder lose Teile am Stecker des Stromkabels oder in der Steckdose befinden, kann dies zu Feuer oder Stromschlägen führen. Wenn Sie lose Teile am Stecker des Stromkabels finden, ersetzen Sie diesen.
- **Bringen Sie den Deckel des Schaltkastens am Innengerät und den Wartungsdeckel am Außengerät fest an.** Falls der Deckel des Schaltkastens des Innengerätes und/oder der Wartungsdeckel des Außengerätes nicht richtig angebracht ist/sind, kann es aufgrund von Staub, Wasser usw. zu Feuer oder Stromschlägen kommen.
- **Achten Sie beim Installieren, Umsetzen oder Warten der Anlage darauf, dass keine andere Substanz als das vorgeschriebene Kältemittel (R410A) in den Kältemittelkreislauf gelangt.** Das Vorhandensein irgendeiner anderen Substanz wie z. B. Luft kann einen abnormalen Druckanstieg verursachen und zu einer Explosion oder zu Verletzungen führen. Die Verwendung eines anderen als des vorgeschriebenen Kältemittels für das System kann mechanische Schäden, Fehlfunktionen des Systems oder einen Aus-

- fall der Anlage verursachen. Im schlimmsten Fall kann dies zu einer schwerwiegenden Beeinträchtigung der Produktsicherheit führen.
- **Lassen Sie das Kältemittel nicht in die Atmosphäre entweichen. Wenn das Kältemittel während der Installation austritt, lüften Sie den Raum.** Wenn Kältemittel mit Feuer in Berührung kommt, können schädliche Gase entstehen. Das Auslaufen von Kältemittel kann zu Erstickung führen. Sorgen Sie für Belüftung gemäß der Bestimmung EN378-1.
- **Nach Fertigstellung der Installation ist darauf zu achten, dass kein Kältemittelgas austritt.** Wenn in Innenräumen Kältemittelgas austritt und mit der Flamme eines Heizlüfters, einer Raumheizung, eines Ofens, etc. in Kontakt kommt, entstehen schädliche Substanzen.
- **Verwenden Sie geeignete Werkzeuge und geeignetes Rohrlötungsmaterial für die Installation.** Der Druck von R410A ist 1,6 Mal größer als R22. Die Benutzung von nicht geeigneten Werkzeugen und nicht geeignetem Material und eine unvollständige Installation können zum Platzen der Rohrlötungen oder Verletzungen führen.
- **Beim Auspumpen des Kältemittels, schalten Sie den Kompressor ab, bevor die Kältemittelleitungen getrennt werden.** Wenn die Kältemittelleitungen getrennt werden, während der Kompressor läuft und das Absperrventil offen ist, könnte Luft eingesaugt werden und ein abnormaler Druckanstieg im Kühlkreislauf könnte die Folge sein. Das könnte die Rohrlötungen zum Platzen bringen oder Verletzungen verursachen.
- **Schließen Sie die Kältemittelleitungen beim Installieren des Geräts fest an, bevor Sie den Kompressor einschalten.** Wenn der Kompressor eingeschaltet wird, bevor die Kältemittelleitungen abgeschlossen sind und das Absperrventil offen ist, könnte Luft eingesaugt werden und ein abnormaler Druckanstieg im Kühlkreislauf könnte die Folge sein. Das könnte die Rohrlötungen zum Platzen bringen oder Verletzungen verursachen.
- **Befestigen Sie Konusmutter mit einem Drehmomentschlüssel gemäß den Angaben in dieser Anleitung.** Wenn eine Konusmutter zu fest angezogen wird, kann sie nach längerer Zeit bersten und das Ausströmen von Kältemittel verursachen.
- **Das Gerät muss gemäß den nationalen Bestimmungen für Elektroanschlüsse installiert werden.**

⚠ **VORSICHT** (Kann unter bestimmten Umständen bei Nichtbeachtung zu schweren Verletzungen führen.)

- **Installieren Sie je nach Installationsort einen Erdschlussschalter.** Wenn ein solcher Erdschlussschalter nicht installiert ist, besteht die Gefahr eines Stromschlags.
- **Befolgen Sie bei den Ablassrohr-/Verrohrungsarbeiten genau die Installationsanleitung.**

- Falls die Ablassrohr-/Verrohrungsarbeiten fehlerhaft ausgeführt werden, kann Wasser vom Gerät tropfen und Haushaltsgegenstände beschädigen.
- **Berühren Sie nicht den Lufterlass oder die Aluminiumrippen des Außengerätes.** Das könnte zu Verletzungen führen.

- **Installieren Sie das Außengerät nicht an Orten, wo kleine Tiere leben könnten.** Falls kleine Tiere in das Gerät gelangen und elektrische Bauteile berühren, könnte dies zu einer Fehlfunktion, Rauchentwicklung oder Feuer führen. Weisen Sie außerdem die Benutzer an, die Umgebung des Geräts sauber zu halten.

1-2. WAHL DES INSTALLATIONSORTES

INNENGERÄT

- Wählen Sie einen Ort, an dem die Luft frei ausströmen kann.
- Wo sich die Luft im gesamten Raum verteilen kann.
- Wählen Sie einen Ort mit einer festen, vibrationsfreien Wand.
- Wählen Sie einen Ort, an dem die Anlage keiner direkten Sonneneinstrahlung ausgesetzt ist. Vermeiden Sie direkte Sonneneinstrahlung, auch während der Zeit nach dem Auspacken bis zur Inbetriebnahme.
- Wählen Sie einen Ort, an dem Kondensat einfach abgeführt werden kann.
- In einem Abstand von 1 m oder mehr vom Fernsehgerät und Radio entfernt. Die Bedienung der Klimaanlage kann den Radio- oder Fernsehempfang stören. In diesem Fall ist möglicherweise ein Verstärker für das betroffene Gerät erforderlich.
- Wählen Sie einen Ort, der möglichst weit entfernt ist von Leuchtstoff- oder Glühlampen (damit die Klimaanlage mit der Fernbedienung ungestört betätigt werden kann).
- Wählen Sie einen Ort, an dem der Luftfilter einfach entfernt und ausgetauscht werden kann.

Hinweis:

In einem Raum mit wechsellichterbetriebenen Leuchtstofflampen können die Signale der Fernbedienung eventuell nicht empfangen werden.

AUSSENGERÄT

- Wählen Sie einen Ort, an dem das Gerät keinem starken Wind ausgesetzt ist.
- Wählen Sie einen Ort, an dem ein guter Luftstrom sichergestellt ist, der frei von Staub ist.
- An Orten, an denen Regen oder direktes Sonnenlicht bestmöglich vermieden werden können.
- Wählen Sie einen Ort, an dem Nachbarn nicht durch Betriebsgeräusche oder heiße Luft gestört werden.
- Wählen Sie einen Ort, an dem eine feste Wand oder eine feste Abstützung vorhanden ist, um eine Verstärkung von Betriebsgeräuschen und Vibrationen zu vermeiden.
- Wählen Sie einen Ort, an dem nicht die Gefahr des Austritts brennbarer Gase besteht.
- Wenn Sie die Einheit an einem hohen Ort anbringen, befestigen Sie die Füße des Gerätes.
- Wählen Sie einen Ort, an dem mindestens 3 m Abstand zu einer Fernseh- oder Radioantenne vorhanden sind. In Regionen mit schwachem Empfangssignal kann der Betrieb der Klimaanlage den Rundfunk- oder Fernsehempfang stören. In diesem Fall ist möglicherweise ein Verstärker für das betroffene Gerät erforderlich.
- Installieren Sie die Anlage waagrecht.
- Installieren Sie die Anlage an einem Ort, wo keine Beeinträchtigung durch Schneefall oder verwehten Schnee gegeben ist. Bringen Sie in Gegenden mit starkem Schneefall bitte ein Vordach, einen Sockel und/oder einige Abschirmungen an.

Hinweis:

Es ist ratsam, in der Nähe des Außengerätes eine Rohrlötungsschleife einzurichten, um die von dort übertragenen Vibrationen zu verringern.

Hinweis:

- Beachten Sie die nachstehend beschriebenen Anweisungen beim Betrieb der Klimaanlage bei niedriger Außentemperatur.
- Installieren Sie das Außengerät niemals an einem Ort, an dem die Lufterlass-/Auslassseite unmittelbar dem Wind ausgesetzt ist.
- Installieren Sie das Außengerät so, dass die Lufterlassseite zur Wand hin zeigt, um es vor Wind zu schützen.
- Es wird empfohlen, auf der Luftauslassseite des Außengerätes eine Abschirmung anzubringen, um es vor Wind zu schützen.
- Vermeiden Sie die folgenden Orte zur Installation, da es sonst zu Störungen der Klimaanlage kommen kann.
- Orte, an denen brennbare Gase ausströmen können.
- Orte, an denen viel Maschinenöl verwendet wird.
- Orte, an denen Ölspritzer auftreten oder Öldunst vorhanden ist (z.B. Küchenbereiche und Fabriken, in denen Kunststoffe ihre Eigenschaften verändern und beschädigt werden können).
- Orte mit salzhaltiger Luft (Meeresnähe).
- Orte, an welchen schwefelhaltige Gase auftreten, wie z.B. heiße Quellen.
- Orte, an denen Hochfrequenz- oder kabellose Geräte betrieben werden.
- Orte, an denen große Mengen von flüchtigen organischen Verbindungen auftreten, einschließlich Phthalat-Verbindungen, Formaldehyd usw., die zu chemischer Spaltung führen können.

FERNBEDIENUNG

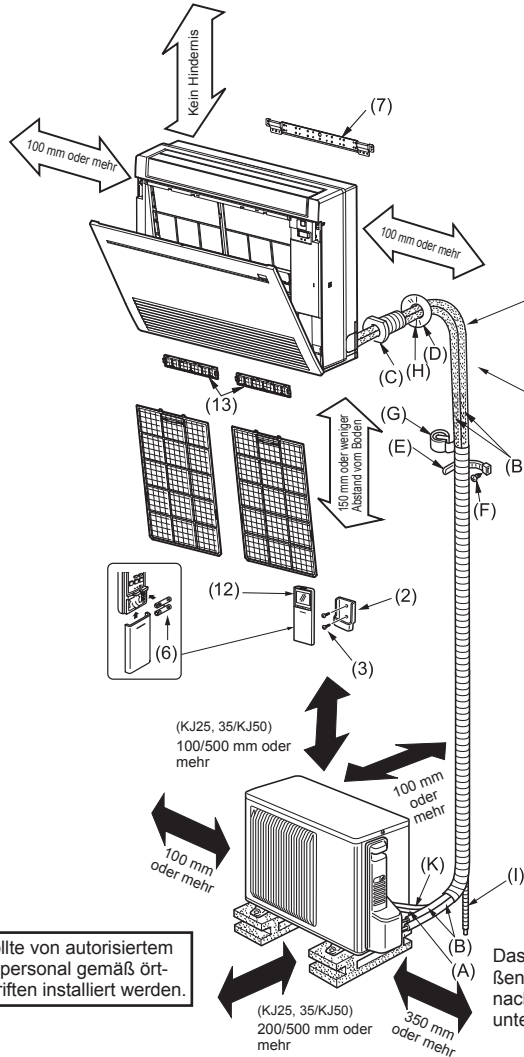
- Bringen Sie sie an einer gut zugänglichen und sichtbaren Stelle an.
- Wählen Sie einen Ort, den Kinder nicht erreichen können.
- Wählen Sie eine Position, an der das Innengerät das Signal von der Fernbedienung korrekt empfangen kann. Prüfen Sie, dass in dieser Position die Signale von der Fernbedienung sicher vom Innengerät empfangen werden (die Töne 'Piep' oder 'Piep Piep' erklingen bei Empfang). Befestigen Sie danach die Fernbedienungshalterung an einem Pfeiler oder einer Wand, und befestigen Sie die kabellose Fernbedienung.

1-3. TECHNISCHE DATEN

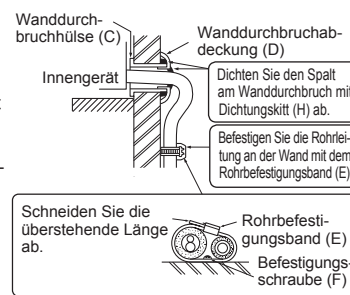
Modell		Stromversorgung *1		Kabeldaten *2		Rohrdurchmesser (Dicke *3, *4)	(KJ25, 35/KJ50)		
Innengerät	Außengerät	Netzspannung	Frequenz	Stärke des Trennschalters	Stromversorgung (3-adrig)	Innen-/Außengerät-Verbindungskabel	Gas / Flüssigkeit	Rohrlänge und Höhendifferenz	
MFZ-KJ25VE MFZ-KJ35VE	MUFZ-KJ25VE(HZ) MUFZ-KJ35VE	230 V	50 Hz	10 A	1,0 mm ²	4-adrig 2,0 mm ²	ø9,52 / 6,35 mm (0,8 mm)	Max. Rohrlänge	20/30 m
MFZ-KJ35VE	MUFZ-KJ35VEHZ			12 A	1,5 mm ²			Max. Höhendifferenz	12/15 m
MFZ-KJ50VE	MUFZ-KJ50VE(HZ)			16 A	2,0 mm ²			Max. Anzahl der Biegungen *5, *6	10
								Kältemittelausgleich A *7	30/20 g/m
								Isolationsdicke *8, *9	8 mm

- *1 Nehmen Sie den Anschluss an einem Trennschalter vor, der im geöffneten Zustand zur Unterbrechung der Netzstromphase einen Zwischenraum von 3 mm oder mehr aufweist. (Wenn der Trennschalter ausgeschaltet ist, muss er alle Pole trennen.)
- *2 Verwenden Sie Kabel, die dem Standard 60245 IEC 57 entsprechen.
- *3 Unter keinen Umständen dürfen Rohrleitungen mit einer geringeren Wandstärke als angegeben verwendet werden. Deren Druckfestigkeit reicht nicht aus.
- *4 Verwenden Sie eine Kupferleitung oder eine nahtlose Leitung aus Kupferlegierung.
- *5 Achten Sie darauf, das Rohr an der Rohrbiegung nicht zu quetschen oder zu verbiegen.
- *6 Der Biegeradius der Kältemittelleitungen muss mindestens 100 mm betragen.
- *7 Falls die Rohrlänge 7 m übersteigt, muss zusätzliches Kältemittel (R410A) nachgefüllt werden. (Es ist kein zusätzliches Kältemittel für eine Rohrlänge von weniger als 7 m erforderlich.)
- Zusätzliches Kältemittel = A × (Rohrlänge (m) - 7)
- *8 Isolationsmaterial: Hitzebeständiger Schaumstoff mit einer spezifischen Dichte von 0,045
- *9 Achten Sie darauf, dass die Isolierung die angegebene Stärke aufweist. Zu starke Isolierung kann zu unsachgemäßer Installation des Innengerätes und zu geringe Stärke der Isolierung zu Herabtropfen von Kondenswasser führen.

1-4. INSTALLATIONSDIAGRAMM



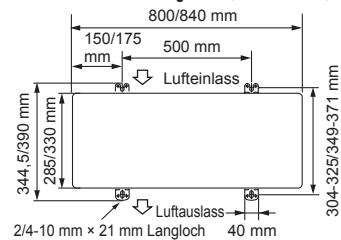
Verwenden Sie unbedingt die Wanddurchbruchhülse (C), um einen Kontakt des Innen-/Außengerät-Verbindungskabels (A) mit Metallteilen in der Wand sowie Beschädigungen durch Ratten bei Hohlwänden zu verhindern.



Tragen Sie nach dem Lecktest das Isolationsmaterial dicht auf, sodass kein Spalt übrig bleibt.

Verwenden Sie ein chemisch behandeltes Holzstück mit einer Dicke von mindestens 20 mm zwischen der Wand und der Verrohrung, oder wickeln Sie 7 bis 8 Windungen Vinyl-Isolierband um die Verrohrung, wenn die Verrohrung an einer Wand angebracht werden muss, die Metall (Blechüberzug) oder Metallnetze enthält. Um vorhandene Verrohrung zu benutzen, führen Sie 30 Minuten lang Kühlbetrieb (COOL) aus und pumpen Sie leer, bevor die alte Klimaanlage entfernt wird. Überarbeiten Sie die Kelchung entsprechend den Abmessungen der neuen Kältemittelleitung.

Installation des Außengerätes (KJ25, 35/KJ50)



Die Anlage sollte von autorisiertem Kundendienstpersonal gemäß örtlichen Vorschriften installiert werden.

Das Aussehen des Außengerätes kann sich je nach Modell geringfügig unterscheiden.

ZUBEHÖR

Vor Aufstellung das Vorhandensein nachstehender Teile überprüfen.

(1) Ablaufschlauch*	1
(2) Fernbedienungseinbaugeschäuse	1
(3) Befestigungsbolzen für (2) 3,5 × 16 mm (schwarz)	2
(4) Rohrinsolation	1
(5) Band	2
(6) Akku (AAA) für (12)	2
(7) Montagehalterung für Innengerät	1
(8) Befestigungsschraube für (7) 4 × 25 mm	5
(9) Holzschraube für Befestigung des Innengeräts	4
(10) Unterlegscheibe von (9)	4
(11) Filzband (verwendet für Verrohrung links oder links hinten)	1
(12) Infrarotfernbedienung	1
(13) Luftreinigungsfilter	2

* Hinweis:

Der Ablaufschlauch wird an das Gerät angeschlossen. <Außengerät>

(14) Abflussmuffe (Nur Typ VE)	1
--------------------------------	---

AM MONTAGEORT ERFORDERLICHE TEILE

(A) Innen-/Außengerät-Verbindungskabel*	1
(B) Verlängerungsrohr	1
(C) Wanddurchbruchhülse	1
(D) Wanddurchbruchabdeckung	1
(E) Rohrbefestigungsband	2 - 5
(F) Befestigungsschraube für (E) 4 × 20 mm	2 - 5
(G) Verrohrungsband	1
(H) Kitt	1
(I) Ablaufschlauch (oder Schlauch aus Weich-PVC, 15 mm Innendurchmesser oder Hart-PVC-Rohr VP16)	1 oder 2
(J) Kältemittelöl	1
(K) Stromversorgungskabel*	1

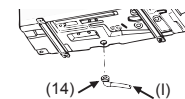
* Hinweis:

Verlegen Sie das Innen-/Außengerät-Verbindungskabel (A) und das Stromversorgungskabel (K) in mind. 1 m Entfernung zum Fernsehantennenkabel.

Abflussrohr für Außengerät

<Nur Typ VE>

- Bringen Sie das Abflussrohr vor dem Anschluss der Rohrleitungen für Innen- und Außengeräte an.
- Schließen Sie den Ablaufschlauch (I) i.D.15 mm wie in der Abbildung gezeigt an.
- Achten Sie auf einwandfreien Abfluss darauf, dass der Ablaufschlauch ein Gefälle aufweist.



Hinweis:

Installieren Sie die Anlage waagrecht. Verwenden Sie die Abflussmuffe (14) nicht in kalten Umgebungen. Der Abfluss kann einfrieren und den Ventilator zum Abschalten bringen. Während des Heizens entsteht am Außengerät Kondenswasser. Den Installationsort so wählen, dass das Außengerät und/oder der Boden nicht durch Ablaufwasser feucht werden oder durch gefrorenes Ablaufwasser beschädigt werden können.

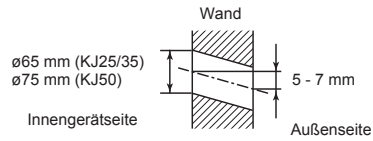
2. INSTALLATION DES INNENGERÄTES

2-1. BEFESTIGUNG DES MONTAGEWINKELS FÜR DAS INNENGERÄT

- Suchen Sie ein tragfähiges Konstruktionselement oder dergleichen in der (Leichtbau-) Wand und befestigen Sie die Installationsplatte (7) waagrecht mit Befestigungsschrauben (8).
- Um zu verhindern, dass Winkel (7) vibriert, installieren Sie in jedem Fall die Befestigungsschrauben in den in der Abbildung markierten Bohrungen. Um einen stärkeren Halt vorzusehen, können auch in den anderen Löchern Befestigungsschrauben installiert werden.

2-2. LÖCHER BOHREN

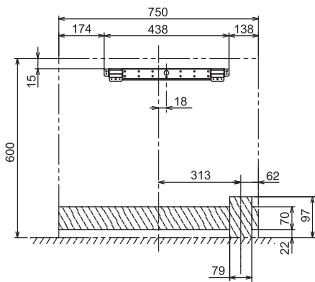
- 1) Bestimmen Sie die Position des Wanddurchbruchs.
- 2) Bohren Sie ein Loch von 65 mm Durchmesser (Durchm. 75 mm für KJ50). Die Außenseite sollte 5 bis 7 mm niedriger als die Innenseite sein.
- 3) Setzen Sie die Wanddurchbruchhülse (C) ein.



LOCHPOSITIONEN

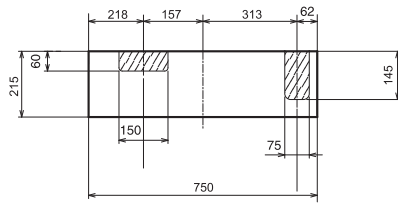
VERROHRUNG HINTEN ODER LINKS HINTEN

(Die folgende Abbildung zeigt den Installationsort des Innengeräts von vorne.)

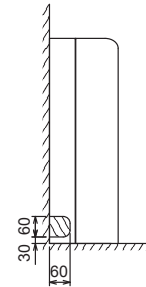


VERROHRUNG RECHTS ABWÄRTS ODER LINKS ABWÄRTS

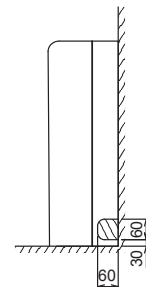
(Die folgende Abbildung zeigt den Boden des Innengeräts von oben.)



VERROHRUNG LINKS



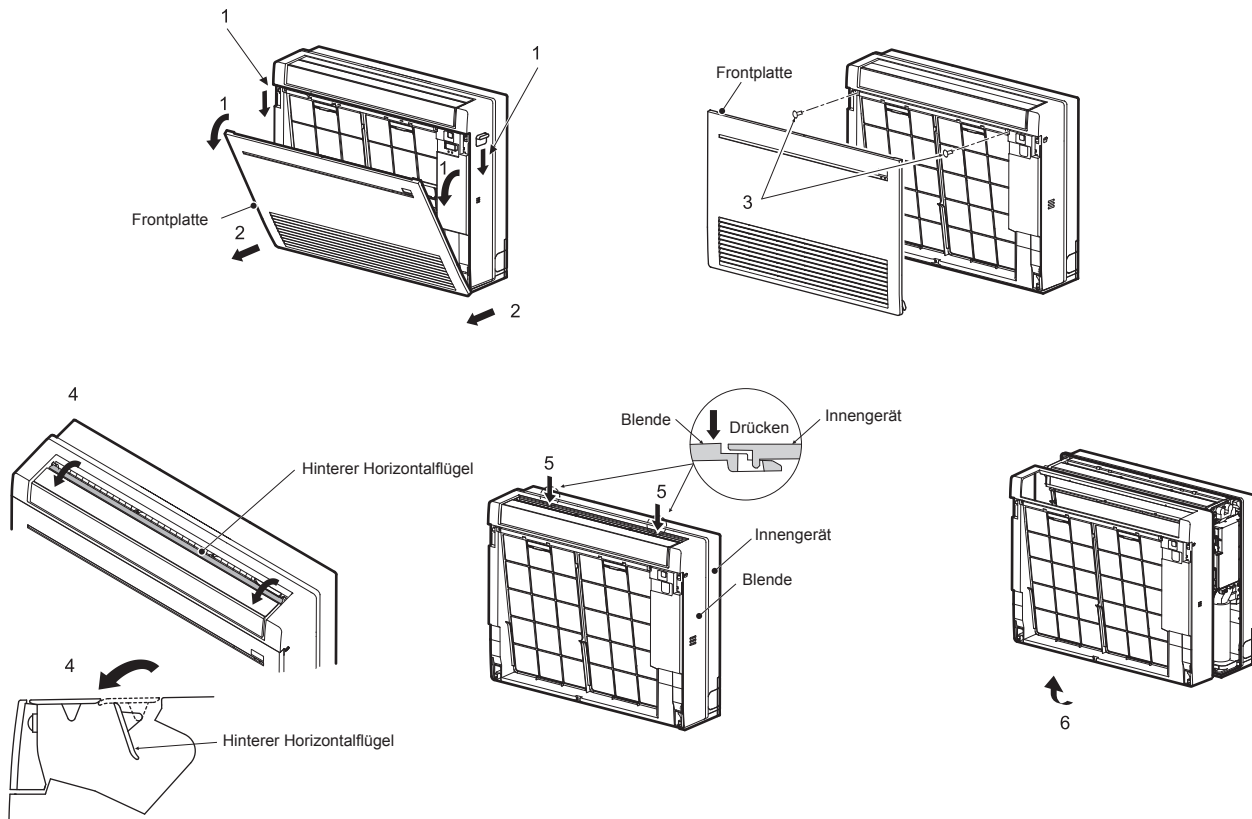
VERROHRUNG RECHTS



2-3. VORBEREITUNG DES INNENGERÄTS

Die Frontplatte des Innengeräts entfernen.

- 1) Drücken Sie auf die Laschen zu beiden Seiten des Geräts, um die vordere Blende zu öffnen.
- 2) Ziehen Sie die Frontblende zu sich hin, um sie zu entfernen.
- 3) Die 2 Schrauben entfernen.
- 4) Öffnen Sie den hinteren Horizontalflügel.
- 5) Drücken Sie auf die 2 Stellen oben an der Platte, und ziehen Sie dann den oberen Teil der Platte zu sich heran.
- 6) Nehmen Sie die Platte ab, während Sie sie leicht anheben.



2-4. AUFSTELLUNG DER INNENANLAGE

2-4-1. INSTALLIEREN DES INNENGERÄTS AUF DEM FUSSBODEN

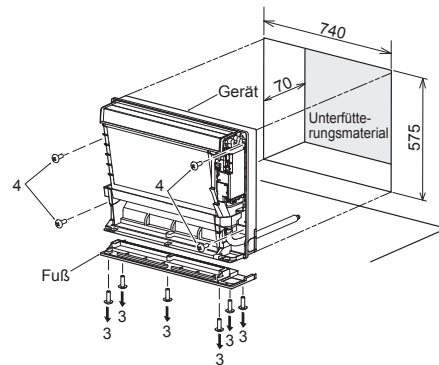
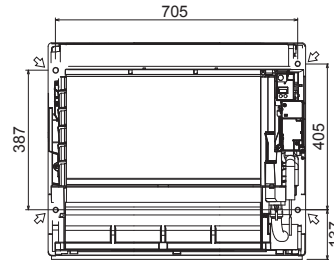
1. Platzieren Sie das Innengerät auf dem geraden Fußboden.
2. Befestigen Sie das Innengerät an 4 Punkten mithilfe der beiliegenden Holzschrauben (9) und den Unterlegscheiben (10). Ziehen Sie die Schrauben sicher fest.

2-4-2. INSTALLIEREN DES INNENGERÄTS AN DER WAND

1. Das Kopfende des Innengeräts in die Montagehalterung für Innengerät (7) einhaken.
2. Befestigen Sie das Innengerät an 4 Punkten mithilfe der beiliegenden Holzschrauben (9) und den Unterlegscheiben (10). Ziehen Sie die Schrauben sicher fest.

2-4-3. WANDEINBAU INNENGERÄT

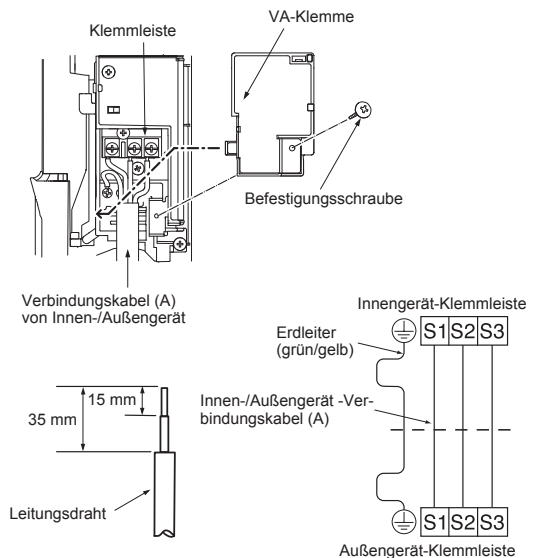
1. Bohren Sie ein Loch in der Wand.
2. Stellen Sie die Tiefe durch Unterfütern mit geeignetem Material ein.
3. Entfernen Sie 6 Schrauben, mit denen der Fuß mit dem Gerät verbunden ist. Nehmen Sie den Fuß vom Gerät ab.
4. Befestigen Sie das Innengerät an 4 Punkten mithilfe der beiliegenden Holzschrauben (9) und den Unterlegscheiben (10). Ziehen Sie die Schrauben sicher fest.



2-5. ANSCHLIESSEN DER KABEL FÜR DAS INNENGERÄT

1. Entfernen Sie die VA-Klemme.
2. Führen Sie das Innen-/Außengerät-Verbindungskabel (A) von der Rückseite des Innengeräts und bereiten Sie das Kabelende vor.
3. Lösen Sie die Klemmschrauben, und verbinden Sie zuerst die Erdleitung und anschließend das Innen-/Außengerät-Verbindungskabel (A) mit der Klemmleiste. Achten Sie auf die richtige Verkabelung. Befestigen Sie die Ader sicher in der Klemmleiste, so dass die Ader nirgends blank liegt und keine äußeren Kräfte auf den Verbindungsbereich der Klemmleiste wirken können.
4. Ziehen Sie die Klemmschrauben fest an, um späteres Lösen zu vermeiden. Ziehen Sie nach dem Festziehen leicht an den einzelnen Adern, um sicherzustellen, dass sie sich nicht bewegen lassen.
5. Sichern Sie das Innen-/Außengerät-Verbindungskabel (A) und den Masseleiter mit der VA-Klemme. Achten Sie darauf, immer die linke Seite der VA-Klemme einzuhaken. Befestigen Sie die VA-Klemme sicher.

- Führen Sie die Erdleitung etwas länger aus als die übrigen. (mehr als 45 mm)
- Lassen Sie das Kabel für zukünftige Wartungszwecke etwas länger als erforderlich.
- Falten Sie das überschüssige Kabel nicht und stopfen Sie es nicht in einen zu kleinen Raum. Achten Sie darauf die Kabel nicht zu beschädigen.
- Beim Befestigen der Kabel und/oder Drähte an die Klemmleiste darauf achten, dass jede Schraube in ihre entsprechende Klemme eingeschraubt ist.



2-6. ROHFÜHRUNG UND INSTALLATION

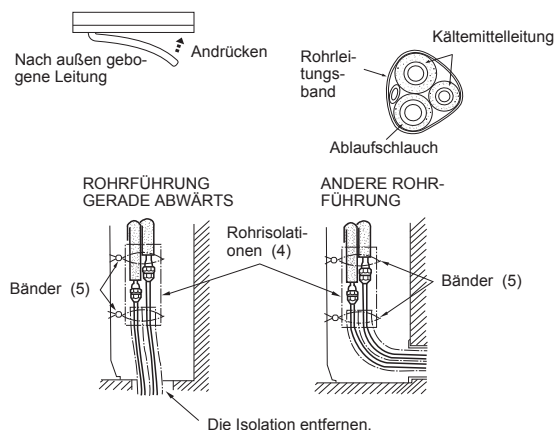
Rohrführung

- Den Ablaufschlauch diagonal unter den Anschlussrohren verlegen.
- Sicherstellen, daß der Ablaufschlauch nicht mit Aufwärtsneigung verlegt wird und dass keine Wellen im Schlauch sind.
- Auf keinen Fall am Ablaufschlauch ziehen; Band um den Schlauch wickeln.
- Die Rohrleitung so verlegen, daß sie nicht an der Rückseite des Innengeräts herausragt. (Siehe Abbildung rechts.)

Verlegung der Anschlussrohre

- Die Anschlussrohre so installieren, dass sich die Leitungen leicht nach vorne, hinten, links und rechts bewegen lassen.

- Isolieren Sie in jedem Fall die Anschlussrohre, so dass sie nicht die Platte berühren.
- Darauf achten, dass die Anschlussrohre beim Biegen nicht gequetscht werden.



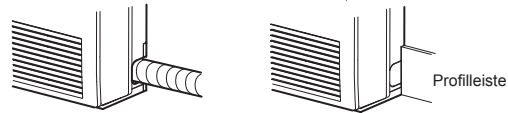
VERROHRUNG LINKS ODER LINKS HINTEN

Die Anschlussrohre und den Ablaufschlauch zusammen bündeln und mit Filzband (11) umwickeln.

Die Platten des Innengeräts unten links und rechts wie in der Abbildung gezeigt ausschneiden.

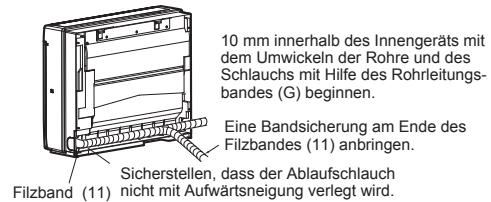
Die Schnittkanten der Seitenplatten abrunden, damit sie die Isolierung nicht beschädigen können.

- Für Verrohrung links oder rechts
- Bündig gegen eine Wand mit Profilleiste installieren



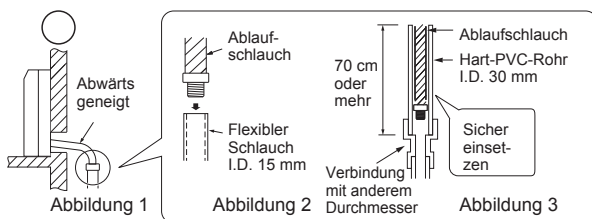
Die Platten an der Unterseite in Höhe der Profilleiste ausschneiden.

Das Filzband (11) fest um die Rohre und den Schlauch wickeln; dabei an der Stelle beginnen, wo Rohre und Schlauch vom Innengerät her verlegt werden. (Die Überlappungsbreite des Filzbandes (11) sollte nicht mehr als die 1/2 der Bandbreite betragen.)

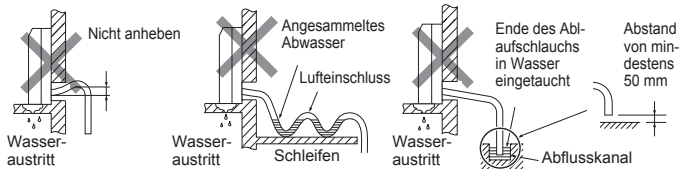


2-7. ABLASSROHR

- Wenn der Verlängerungs-Ablaufschlauch im Innerem eines Raumes verlegt werden soll, umwickeln Sie ihn unbedingt mit im Fachhandel erhältlichem Isolationsmaterial.
- Der Ablaufschlauch sollte nach unten gerichtet sein, um ein gutes Abfließen sicherzustellen. (Abbildung 1)
- Wenn der mit dem Innengerät mitgelieferte Ablaufschlauch zu kurz ist, verbinden Sie ihn mit einem beim Installationsfachmann erhältlichen Ablaufschlauch (I). (Abbildung 2)
- Achten Sie bitte beim Anschließen des Ablaufschlauchs an das Hart-PVC-Rohr darauf, den Schlauch fest und sicher in das Rohr einzusetzen. (Abbildung 3)

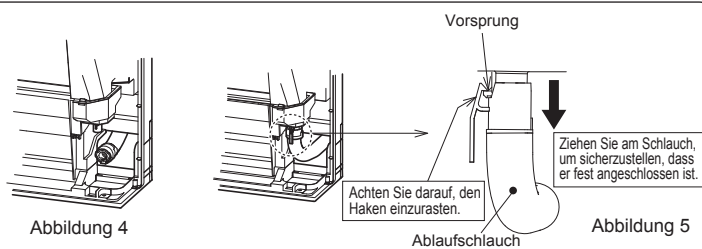


Bringen Sie das Abflussrohr nicht wie unten gezeigt an.



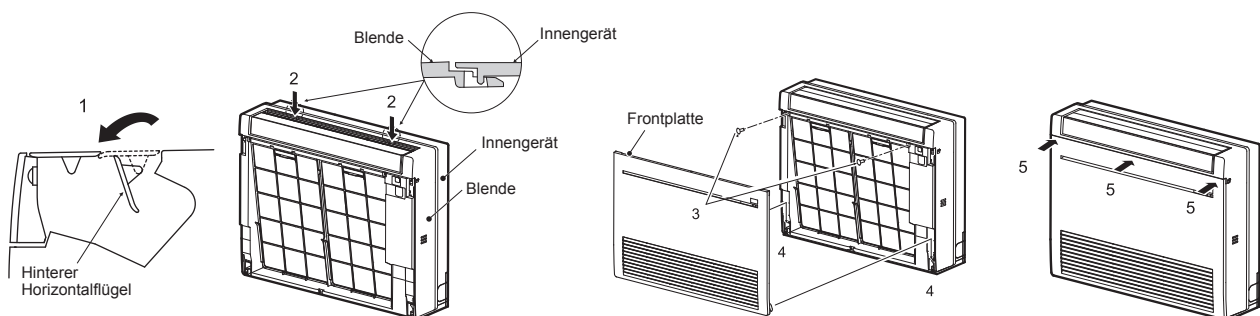
Der Ablaufschlauch wird bei der Installation entfernt.

- Bei Verlegen des Abflussrohres sicherstellen, daß der Ablaufschlauch (1) wie abgebildet verlegt wird. (Abbildung 4)
 - Den Ablaufschlauch vollständig bis zum Boden der Ablaufwanne (Endanschluss) einführen. (Abbildung 5)
- Sicherstellen, dass der Haken des Ablaufschlauchs auf dem Vorsprung am Schlauchanschluss der Ablaufwanne eingerastet ist.
- Nach dem Anschließen des Ablaufschlauchs am Schlauch ziehen, um sicherzustellen, dass er fest angeschlossen ist.



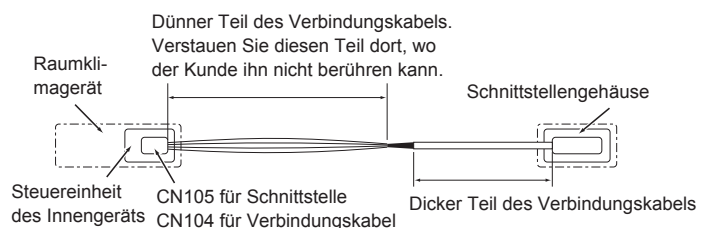
2-8. INSTALLATION DER FRONTPLATTE

- 1) Öffnen Sie den hinteren Horizontalfügel.
- 2) Befestigen Sie die Platte. Achten Sie darauf, dass die Verschlüsse verriegelt sind.
- 3) Befestigen Sie die Platte mit Schrauben.
- 4) Setzen Sie den unteren Teil der Frontabdeckung ein.
- 5) Drücken Sie auf 3 Stellen am oberen Teil der Frontabdeckung, um diese zu schließen.

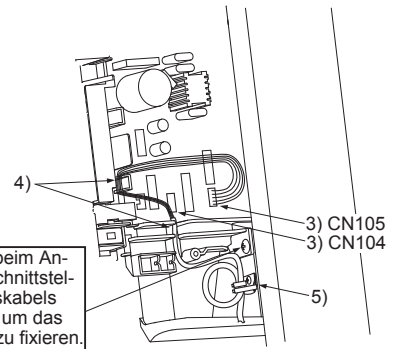


2-9. ANSCHLIESSEN EINES SCHNITTSTELLEN-(zubehör)/VERBINDUNGSKABELS (zubehör) AM KLIMAGERÄT

- Schließen Sie ein Schnittstellen-/Verbindungskabel an der Platine eines Klimageräts mit einem Anschlusskabel an.
- Kürzen oder Verlängern des Schnittstellen-/Verbindungskabels kann zu fehlerhafter Verbindung führen. Bündeln Sie das Verbindungskabel nicht mit dem Netzkabel, dem Innen-/Außengerät-Verbindungskabel und/oder der Erdungsleitung. Halten Sie zwischen dem Verbindungskabel und diesen Kabeln so viel Abstand wie möglich ein.
- Der dünne Teil des Verbindungskabels sollte dort verstaut und untergebracht werden, wo der Kunde es nicht berühren kann.



- 1) Nehmen Sie die Platte ab.
- 2) Abdeckung der Steuereinheit des Innengeräts öffnen.
- 3) Schließen Sie das Verbindungskabel an CN105 und/oder CN104 auf der Platine des Innengeräts an.
- 4) Das Verbindungskabel durch diesen in der Abbildung gezeigten Punkt hindurch verlegen.
- 5) Bringen Sie die mit dem Schnittstellen-/Verbindungskabel gelieferte Kabelklemme mit einer Schraube 4x16 wie in der Abbildung gezeigt am dicken Teil des Verbindungskabels an.
- 6) Abdeckung der Steuereinheit des Innengeräts schließen. Dabei darauf achten, dass sich der dünne Teil des Verbindungskabels nicht in der Abdeckung verfangt. Befestigen Sie die Platte.



Verwenden Sie beim Anschließen des Schnittstellen-/Verbindungskabels diese Schraube, um das Anschlusskabel zu fixieren.

⚠️ WARNUNG

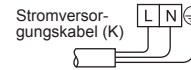
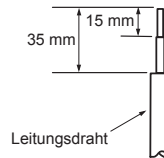
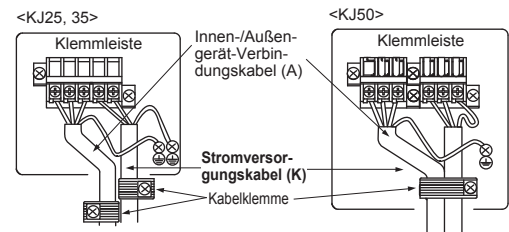
Das Verbindungskabel an der vorgesehenen Position sicher befestigen. Eine unsachgemäße Installation kann Stromschläge, Brände und/oder Fehlfunktionen verursachen.

3. INSTALLATION DES AUSSENGERÄTES

3-1. ANSCHLIESSEN DER KABEL FÜR DAS AUSSENGERÄT

- 1) Öffnen Sie die Wartungsblende.
- 2) Schließen Sie das vom Innengerät kommende Innen-/Außengerät-Verbindungskabel (A) richtig an der Klemmleiste an. Achten Sie auf die richtige Verkabelung. Befestigen Sie den Draht sicher an der Klemmleiste, sodass der Kern nirgends freiliegt und keine externen Kräfte auf den Verbindungsbereich der Klemmleiste einwirken.
- 3) Ziehen Sie die Klemmschrauben fest an, um ein Lösen zu vermeiden. Ziehen Sie nach dem Festziehen leicht an den Drähten, um sicherzustellen, dass sie sich nicht bewegen lassen.
- 4) Schließen Sie das Stromversorgungskabel (K) an.
- 5) Befestigen Sie das Innen-/Außengerät-Verbindungskabel (A) und das Stromversorgungskabel (K) an der Kabelklemme.
- 6) Schließen Sie die Wartungsblende vollständig.

- Führen Sie die Erdleitung etwas länger aus als die übrigen. (mehr als 100 mm)
- Lassen Sie das Kabel für zukünftige Wartungszwecke etwas länger als erforderlich.
- Beim Befestigen der Kabel und/oder Drähte an die Klemmleiste darauf achten, dass jede Schraube in ihre entsprechende Klemme eingeschraubt ist.



3-2. KELCHEN

- 1) Schneiden Sie das Kupferrohr sachgemäß mit einem Rohrschneider ab. (Abbildung 1, 2)
- 2) Entfernen Sie sorgfältig alle Grate vom abgeschnittenen Rohrquerschnitt. (Abbildung 3)
 - Halten Sie während der Entfernung der Grate das Ende des Kupferrohres nach unten, damit keine Späne in die Rohrleitung fallen.
- 3) Entfernen Sie die an Innen- und Außengerät angebrachten Konusmutter und bringen Sie sie nach dem vollständigen Entgraten am Rohr an. (Nach dem Kelchen können die Überwurfmutter nicht mehr an den Rohren angebracht werden.)
- 4) Kelchen (Abbildung 4, 5). Achten Sie darauf, dass das Kupferrohr die in der Tabelle angegebenen Abmessungen einhält. Wählen Sie A mm aus der Tabelle in Übereinstimmung mit dem verwendeten Werkzeug.
- 5) Prüfen
 - Vergleichen Sie die Kelcharbeit mit Abbildung 6.
 - Schneiden Sie den aufgeweiteten Bereich ab und führen Sie die Kelcharbeit nochmals aus, wenn Sie einen Fehler in der Kelchung finden.



Abbildung 1



Abbildung 2

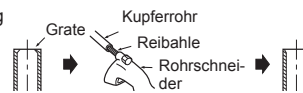


Abbildung 3

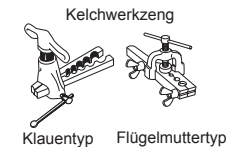


Abbildung 4

Rohrdurchmesser (mm)	Mutter (mm)	A (mm)			Anzugsmoment	
		Klemmwerkzeug für R410A	Klemmwerkzeug für R22	Flügelmutterwerkzeug für R22	N·m	kgf·cm
ø6,35 (1/4")	17	0 - 0,5	1,0 - 1,5	1,5 - 2,0	13,7 - 17,7	140 - 180
ø9,52 (3/8")	22			34,3 - 41,2	350 - 420	
ø12,7 (1/2")	26			49,0 - 56,4	500 - 575	
ø15,88 (5/8")	29			2,0 - 2,5	73,5 - 78,4	750 - 800

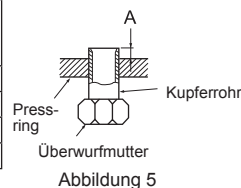
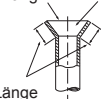


Abbildung 5

Glatt am gesamten Umfang
Innenseite glänzt ohne Kratzer.



Gleiche Länge am gesamten Umfang

Abbildung 6

3-3. ROHRVERBINDUNG

- Ziehen Sie die Konusmutter mit einem Drehmomentschlüssel gemäß den Angaben in der Tabelle fest.
- Wenn eine Konusmutter zu fest angezogen wird, kann sie nach längerer Zeit bersten und das Austreten von Kältemittel verursachen.
- Sicherstellen, dass die Rohrführung isoliert ist. Direkter Kontakt mit der blanken Rohrführung kann zu Verbrennungen oder Erfrierung führen.

Anschließen des Innengeräts

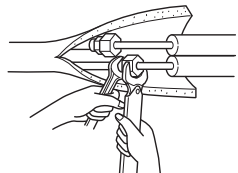
Schließen Sie das Flüssigkeitsrohr und das Gasrohr am Innengerät an.

- Tragen Sie Kältemittelöl (J) dünn auf die gebördelten Rohrenden auf. Tragen Sie kein Kältemaschinenöl auf die Schraubengewinde auf. Zu starkes Anziehen der Schrauben kann diese beschädigen.
- Zum Anschließen zunächst die Mitte ausrichten, dann die Konusmutter mit den ersten 3 bis 4 Umdrehungen anziehen.
- Halten Sie die in der obigen Tabelle aufgeführten Anzugsmomente für die Rohrverbindungen des Innengerätes ein und verwenden Sie für das Festziehen zwei Schlüssel. Ziehen Sie sie nicht zu fest an, da sonst der Kelchabschnitt beschädigt werden kann.

Anschließen des Außengeräts

Schließen Sie die Rohre auf die gleiche Weise wie für das Innengerät an die Absperrventil-Rohrverbindungen des Außengerätes an.

- Verwenden Sie für das Festziehen einen Drehmomentschlüssel und halten Sie die gleichen Anzugsmomente wie für das Innengerät ein.



⚠️ WARNUNG

Schließen Sie die Kältemittelleitungen beim Installieren des Geräts fest an, bevor Sie den Kompressor einschalten.

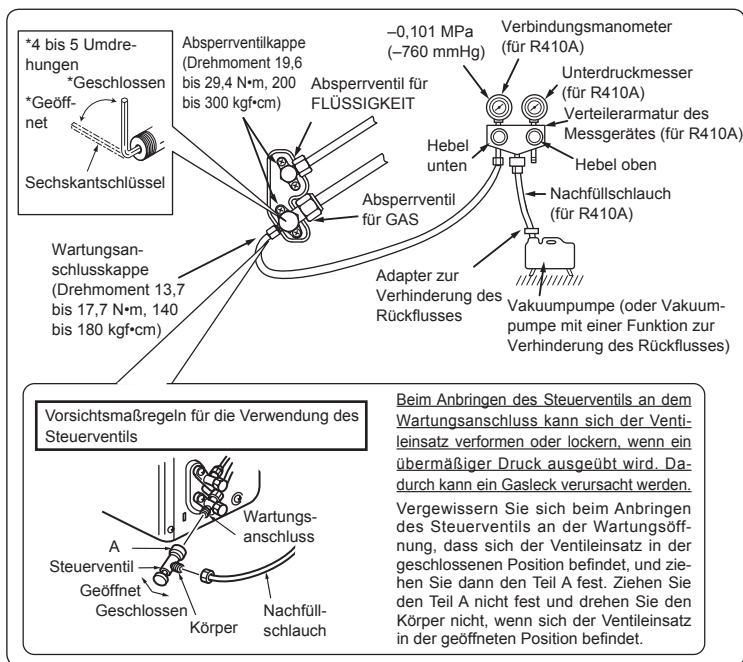
3-4. ISOLATION UND BANDUMWICKLUNG

- 1) Decken Sie die Rohrverbindungen mit Rohrinsolation ab.
- 2) Isolieren Sie an der Außenseite gründlich alle Rohrteile und auch die Ventile.
- 3) Umwickeln Sie ab dem Einlass des Außengerätes mit Verrohrungsband (G).
 - Sichern Sie das Ende des Verrohrungsbandes (G) mit Band (mit hinzugefügtem Klebstoff).
 - Falls die Verrohrung durch die Decke, einen Schrank oder einen Raum mit hoher Temperatur und Luftfeuchtigkeit geführt werden muss, verwenden Sie zusätzliche Isolation (im Fachhandel erhältlich), um Kondensation zu vermeiden.

4. SPÜLPROZEDUREN, LECKTEST UND TESTLAUF

4-1. SPÜLPROZEDUREN UND LECKTEST

- 1) Nehmen Sie die Wartungsanschlusskappe des Absperrventils an der Seite des Gasrohres des Außengerätes ab. (Die Absperrventile sind ab Werk vollständig geschlossen und die Kapfen sind angebracht.)
- 2) Verbinden Sie das Unterdruckmesser-Rohrverzweigungsventil und die Vakuumpumpe mit dem Wartungsanschluss des Absperrventils an der Gasrohr-Seite des Außengerätes.
- 3) Schalten Sie die Vakuumpumpe ein. (Für länger als 15 Minuten laufen lassen.)
- 4) Überprüfen Sie den Unterdruck mit dem Unterdruckmesser-Rohrverzweigungsventil und schließen Sie danach das Unterdruckmesser-Rohrverzweigungsventil; Schalten Sie anschließend die Vakuumpumpe aus.
- 5) Belassen Sie sie für ein bis zwei Minuten in diesem Zustand. Achten Sie darauf, dass der Zeiger des Unterdruckmesser-Rohrverzweigungsventils in der gleichen Position verbleibt. Vergewissern Sie sich, dass der Unterdruckmesser einen Druck von $-0,101$ MPa [Messerr] (-760 mmHg) anzeigt.
- 6) Nehmen Sie das Unterdruckmesser-Rohrverzweigungsventil schnell vom Wartungsanschluss des Absperrventils ab.
- 7) Öffnen Sie nach dem Anschluss und dem Auspumpen der Kältemittelleitungen alle Absperrarmaturen auf beiden Seiten der Gas- und Flüssigkeitsrohrleitungen vollständig. Der Betrieb mit nicht vollständig geöffneten Ventilen senkt die Leistungsfähigkeit herab und führt zu Störungen.
- 8) Lesen Sie die Punkte 1-3. und füllen Sie die erforderliche Menge an Kältemittel nach. Achten Sie darauf, flüssiges Kältemittel langsam nachzufüllen. Ansonsten kann die Zusammensetzung des Kältemittels in dem System verändert werden, wodurch die Leistung des Klimageräts beeinträchtigt wird.
- 9) Ziehen Sie die Kappe am Wartungsanschluss fest, um den Ursprungszustand wieder herzustellen.
- 10) Lecktest



4-2. TESTLAUF

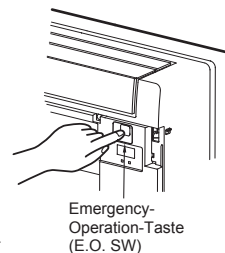
Stellen Sie sicher, dass Folgendes durchgeführt wird.

- Die Blende ist korrekt befestigt.
 - Innen- und Außengerät sind korrekt montiert, und die Stromversorgung ist angeschlossen.
- 1) Drücken Sie den Schalter E.O. SW einmal für KÜHLEN, und zweimal für HEIZEN. Der Testlauf dauert 30 Minuten. Untersuchen Sie das Innen-/Außengerät-Verbindungskabel (A) auf fehlerhafte Verkabelung, wenn die linke Lampe der Betriebsanzeige alle 0,5 Sekunden blinkt. Nach dem Testlauf startet der Notbetrieb (eingestellte Temperatur 24°C).
 - 2) Um den Betrieb zu stoppen, drücken Sie die Taste E.O. SW mehrere Male, bis alle LED-Leuchten ausgelöscht sind. Weitere Einzelheiten entnehmen Sie bitte der Bedienungsanleitung.

Prüfen des (Infrarot-)Signalempfangs von der Fernbedienung

Drücken Sie die Taste ON/OFF auf der Fernbedienung (12) und achten Sie darauf, ob ein elektronischer Ton zu hören ist. Drücken Sie die Taste ON/OFF erneut, um die Klimaanlage auszuschalten.

- Sobald der Kompressor stoppt, wird die Startwiederholungssperre aktiv, so dass der Kompressor 3 Minuten lang nicht arbeitet, um die Klimateinheit zu schützen.



4-3. AUTOMATISCHE STARTWIEDERHOLUNGSFUNKTION

Dieses Produkt ist mit einer automatischen Startwiederholungsfunktion ausgestattet. Wenn die Stromversorgung während des Betriebs etwa aufgrund eines Stromausfalls unterbrochen wird, wird automatisch der Betrieb mit den zuvor gewählten Einstellungen wiederaufgenommen, sobald die Stromversorgung wieder einsetzt. (Weitere Einzelheiten entnehmen Sie bitte der Bedienungsanleitung.)

Vorsicht:

- Schalten Sie nach dem Testlauf oder dem Prüfen des Fernbedienungs-Signalempfangs das Gerät über die Taste E.O. SW oder die Fernbedienung aus, bevor Sie die Stromversorgung ausschalten. Ansonsten startet die Einheit automatisch mit dem Betrieb, wenn die Stromversorgung wieder einsetzt.

Für den Benutzer

- Erklären Sie nach der Installation der Einheit dem Benutzer die automatische Startwiederholungsfunktion.
- Falls die automatische Startwiederholungsfunktion nicht benötigt wird, kann sie deaktiviert werden. Wenden Sie sich an den Servicevertreter, um die Funktion deaktivieren zu lassen. Weitere Einzelheiten entnehmen Sie bitte der Bedienungsanleitung.

4-4. ERLÄUTERUNGEN FÜR DEN BENUTZER

- Erklären Sie dem Benutzer unter Verwendung der BEDIENUNGSANLEITUNG, wie das Klimagerät verwendet wird (wie die Fernbedienung verwendet wird, wie die Luftfilter entfernt werden, wie die Fernbedienung aus dem Fernbedienungshalter entnommen und wieder eingesetzt wird, wie das Gerät gereinigt wird, welche Vorsichtsmaßnahmen zu beachten sind, usw.)
- Empfehlen Sie dem Benutzer, die BEDIENUNGSANLEITUNG sorgfältig zu lesen.

5. LEERPUMPEN

Wenn Sie das Klimagerät für eine Neuaufstellung oder Entsorgung abmontieren, pumpen Sie das System mit folgenden Bedienungsschritten leer, so dass kein Kühlmittel in die Atmosphäre gelangt.

- 1) Verbinden Sie das Unterdruckmesser-Rohrverzweigungsventil mit dem Wartungsanschluss des Absperrventils an der Gasrohr-Seite des Außengerätes.
- 2) Schließen Sie das Absperrventil auf der Flüssigkeitsrohr-Seite des Außengerätes vollständig.
- 3) Schließen Sie das Absperrventil an der Gasrohr-Seite des Außengerätes fast ganz, so dass es schnell geschlossen werden kann, wenn der Unterdruckmesser 0 MPa [Gauge] anzeigt (0 kgf/cm²).
- 4) Starten Sie den Notkühlbetrieb (COOL-Modus).
Um den Notbetrieb im Kühlbetrieb (COOL-Modus) zu starten, ziehen Sie den Netzstecker und/oder schalten Sie die Sicherung aus. Schließen Sie nach 15 Sekunden den Netzstecker wieder an und/oder schalten Sie die Sicherung ein, und drücken Sie dann einmal auf die Taste E.O. SW. (Der Notkühlbetrieb (COOL-Modus) kann bis zu 30 Minuten lang ununterbrochen durchgeführt werden.)
- 5) Schließen Sie das Absperrventil auf der Gasrohr-Seite des Außengerätes vollständig, wenn der Unterdruckmesser $0,05$ bis 0 MPa [Gauge] anzeigt (etwa $0,5$ bis 0 kgf/cm²).
- 6) Stoppen Sie den Notkühlbetrieb (COOL-Modus).
Drücken Sie zweimal die Taste E.O. SW, um den Betrieb zu stoppen.

⚠️ WARNUNG

Beim Auspumpen des Kältemittels, schalten Sie den Kompressor ab, bevor die Kältemittelleitungen getrennt werden. Der Kompressor kann zerplatzen, wenn Luft etc. eindringt.

TABLE DES MATIERES

1. AVANT L'INSTALLATION	1
2. INSTALLATION DE L'UNITE INTERNE	3
3. INSTALLATION DE L'UNITE EXTERNE	6
4. PROCEDURES DE PURGE, TEST DE CONTROLE DES FUITES ET ESSAI DE FONCTIONNEMENT ...	7
5. PURGE	7

Les noms des modèles
sont indiqués dans la
section 1-3.

Outils nécessaires à l'installation

Tournevis Phillips	Clé à ouverture fixe (ou clé simple)
Niveau	Clé hexagonale de 4 mm
Règle graduée	Outil d'évasement pour le modèle R410A
Couteau tout usage ou paire de ciseaux	Tubulure de jauge pour le modèle R410A
Scie-cloche de classe 25 ou 35 de 65 mm/de classe 50 de 75 mm	Pompe à vide pour le modèle R410A
Clé dynamométrique	Tuyau de charge pour le modèle R410A
	Coupe-tuyau avec alésoir

1. AVANT L'INSTALLATION

1-1. INSTRUCTIONS A RESPECTER A TOUT MOMENT PAR MESURE DE SECURITE

- Veuillez lire les "INSTRUCTIONS A RESPECTER A TOUT MOMENT PAR MESURE DE SECURITE" avant de procéder à l'installation du climatiseur.
- Veuillez respecter scrupuleusement les mises en garde contenues dans cette notice car elles concernent des points essentiels à la sécurité.
- Après avoir lu la présente notice, veuillez la conserver avec les INSTRUCTIONS DE FONCTIONNEMENT de l'appareil pour pouvoir la consulter ultérieurement.

⚠ AVERTISSEMENT (Peut entraîner la mort, des blessures graves, etc.)

- **N'installez jamais l'unité seul (utilisateur).**
Une installation incomplète peut être à l'origine d'un incendie, d'une électrocution, de blessures suite à la chute de l'appareil ou de fuites d'eau. Consulter un revendeur local ou un installateur agréé.
- **Exécutez les travaux d'installation en toute sécurité conformément aux instructions de la notice d'installation.**
Une installation incomplète peut être à l'origine d'un incendie, d'une électrocution, de blessures suite à la chute de l'appareil ou de fuites d'eau.
- **Lors de l'installation de l'appareil, utiliser l'équipement de protection et les outils adéquats, par mesure de sécurité.**
Le non-respect de ces recommandations peut être à l'origine de blessures.
- **Par mesure de sécurité, installer l'appareil dans un endroit capable de supporter son poids.**
Si l'appareil est installé dans un endroit incapable de supporter son poids, il pourrait tomber et blesser quelqu'un.
- **Tout travail sur le système électrique doit être exécuté par un électricien qualifié et expérimenté conformément au manuel d'installation. Veiller à utiliser un circuit exclusif. Ne raccorder aucun autre appareil électrique sur le circuit du climatiseur.**
Un circuit électrique de capacité insuffisante ou une installation incorrecte peuvent être à l'origine d'un incendie ou d'une électrocution.
- **Raccordez correctement l'unité à la terre.**
Ne pas raccorder le câble de terre à un tuyau de gaz, une conduite d'eau, un paratonnerre ou le câble de terre d'un téléphone. Une mise à la terre défectueuse pourrait entraîner un risque d'électrocution.
- **Pour éviter toute détérioration, veillez à ce que les pièces et les vis n'exercent pas de pression excessive sur les câbles.**
Des fils endommagés pourraient provoquer un incendie ou une électrocution.
- **Toujours couper l'alimentation principale lors de l'installation de la carte à circuits imprimés du panneau de commande de l'unité interne ou lors d'une intervention sur le câblage électrique.**
Le non-respect de ces recommandations peut être à l'origine d'une électrocution.
- **Utiliser les câbles spécifiés pour raccorder en toute sécurité les**

- unités interne et externe et fixer les câbles solidement aux sections de raccordement des blocs de sorties de façon à ce qu'ils n'exercent aucune pression sur les sections de raccordement. Ne pas prolonger les fils ni utiliser de connexion intermédiaire.
Un branchement incomplet et non sécurisé peut provoquer un incendie.
- **Ne pas installer l'appareil dans un endroit exposé à des fuites de gaz inflammable.**
La fuite et l'accumulation de gaz autour de l'appareil peut entraîner des risques d'explosion.
- **Ne pas utiliser de raccord intermédiaire ou de rallonge pour brancher le cordon d'alimentation et ne pas brancher plusieurs appareils à une même prise secteur.**
Un mauvais contact, une isolation insuffisante, un courant trop fort, etc. peuvent entraîner des risques d'incendie ou d'électrocution, etc.
- **Veiller à utiliser les pièces fournies ou spécifiées dans la notice lors des travaux d'installation.**
L'utilisation de pièces défectueuses peut être à l'origine de blessures corporelles ou d'une fuite d'eau suite à un incendie, une électrocution, la chute de l'appareil, etc.
- **Au moment de brancher la fiche d'alimentation dans la prise secteur, veiller à dépoussiérer et nettoyer la fiche et la prise en contrôlant qu'aucun élément n'est desserré. S'assurer que la fiche d'alimentation est enfoncée à fond dans la prise secteur.**
La présence de poussière, de saleté ou d'éléments desserrés dans la fiche d'alimentation ou la prise secteur peut être à l'origine d'une électrocution ou d'un incendie. Contrôler la fiche d'alimentation et remplacer les éléments desserrés éventuels.
- **Fixer correctement le couvercle du boîtier électrique de l'unité interne et le panneau de service de l'unité externe.**
Si le couvercle du boîtier électrique de l'unité interne et/ou le panneau de service de l'unité externe sont mal fixés, ils risquent de provoquer un incendie ou une électrocution en raison de la poussière, de l'eau, etc. présentes dans le circuit.
- **Lors de l'installation, du déplacement ou de l'entretien de l'appareil, veiller à ce qu'aucune substance autre que le réfrigérant spécifié (R410A) ne pénètre dans le circuit de réfrigération.**
La présence d'une substance étrangère, comme de l'air dans le circuit, peut provoquer une augmentation anormale de la pression et causer une explosion, voire des blessures. L'utilisation de réfrigérant autre que celui qui est spécifié pour le système provoquera une défaillance

- mécanique, un mauvais fonctionnement du système, ou une panne de l'appareil. Dans le pire des cas, la sécurité du produit pourrait être gravement mise en danger.
- **Ne libérez pas le réfrigérant dans l'atmosphère. En cas de fuite de réfrigérant pendant l'installation, aérer la pièce.**
Tout contact entre le réfrigérant et une flamme pourrait provoquer l'émission de gaz toxiques. Une fuite de réfrigérant peut entraîner une asphyxie. Fournissez une ventilation adéquate en accord avec la norme EN378-1.
- **A la fin de l'installation, aucune fuite de réfrigérant ne doit être présente sur le circuit.**
En cas de fuite de réfrigérant dans une pièce, et si le réfrigérant entre en contact avec la partie chauffante d'un appareil de chauffage à ventilation, chauffage d'appoint, poêle, etc., des substances toxiques peuvent se dégager.
- **Utiliser les outils et l'équipement de tuyauterie adaptés à l'installation.**
La pression du réfrigérant R410A est 1,6 fois supérieure à celle du R22. L'utilisation d'outils ou d'équipements inadaptés et une installation incomplète peuvent provoquer l'éclatement des tuyaux et blesser quelqu'un.
- **Pendant l'opération d'aspiration du réfrigérant, arrêter le compresseur avant de débrancher les tuyaux de réfrigérant.**
Si les tuyaux de réfrigérant sont débranchés avant l'arrêt du compresseur et si le robinet d'arrêt est ouvert, de l'air pourrait être aspiré et la pression du cycle de réfrigération pourrait monter de façon anormale. Les tuyaux pourraient éclater et blesser quelqu'un.
- **Pendant l'installation de l'appareil, brancher correctement les tuyaux de réfrigérant avant de lancer le compresseur.**
Si le compresseur démarre avant le branchement des tuyaux de réfrigérant et si le robinet d'arrêt est ouvert, de l'air pourrait être aspiré et la pression du cycle de réfrigération pourrait monter de façon anormale. Les tuyaux pourraient éclater et blesser quelqu'un.
- **Fixer un écrou évasé avec une clé dynamométrique comme indiqué dans cette notice.**
Si l'écrou évasé est trop serré, il pourrait se rompre au bout de plusieurs années et provoquer une fuite de réfrigérant.
- **L'installation de l'appareil doit être conforme aux normes électriques nationales.**

⚠ PRECAUTION (Peut provoquer des blessures graves dans certains environnements si l'appareil n'est pas utilisé correctement.)

- **Poser un disjoncteur de fuites à la terre selon l'endroit où le climatiseur sera monté.**
L'absence d'un disjoncteur de fuites à la terre peut entraîner des risques d'électrocution.
- **Réaliser les travaux de vidange/tuyauterie conformément aux instructions de la notice d'installation.**

- Si les travaux de vidange/tuyauterie ne sont pas réalisés correctement, de l'eau pourrait s'écouler et endommager le mobilier qui se trouve sous l'appareil.
- **Ne toucher ni à l'entrée d'air ni aux ailettes en aluminium de l'unité externe.**
Risque de blessures.

- **Ne pas installer l'unité externe à proximité de l'habitat d'animaux de petite taille.**
Si des animaux de petite taille pénètrent dans l'unité et entrent en contact avec les composants électriques, ils pourraient provoquer un dysfonctionnement, des émissions de fumée ou un incendie. Il convient également de conseiller à l'utilisateur de nettoyer régulièrement la périphérie de l'unité.

1-2. CHOIX DE L'EMPLACEMENT D'INSTALLATION

UNITE INTERNE

- Emplacement favorisant la circulation de l'air.
- Emplacement favorisant la répartition de l'air dans la pièce.
- Mur solide sans vibration.
- Emplacement ne favorisant pas une exposition aux rayons directs du soleil. Ne pas exposer aux rayons directs du soleil pendant la période entre le déballeage et l'utilisation.
- Emplacement permettant d'effectuer facilement la vidange de l'appareil.
- Emplacement à une distance de 1 m minimum du téléviseur et du poste de radio. Le fonctionnement du climatiseur peut interférer avec la réception radio ou TV. Il peut s'avérer nécessaire de brancher un amplificateur sur l'appareil concerné.
- Emplacement aussi éloigné que possible des lampes fluorescentes et à lumière incandescente (de façon à ce que le climatiseur puisse capter les signaux infrarouges envoyés par la télécommande).
- Emplacement permettant de retirer et de changer facilement le filtre à air.

TELECOMMANDE

- Emplacement dont l'accès est facile et visible.
- Emplacement hors de portée des enfants.
- Sélectionnez l'emplacement où l'appareil intérieur peut recevoir le signal de la télécommande de manière optimale. Assurez-vous que l'appareil intérieur reçoit sans problème les signaux envoyés par la télécommande à partir de cet emplacement (un bip ou un double bip indique que la réception est bonne). Fixez ensuite le support de la télécommande sur un pilier ou un mur et placez-y la télécommande sans fil.

Remarque :

L'unité interne peut ne pas recevoir les signaux de la télécommande dans une pièce dont le système d'éclairage est à lampes fluorescentes à oscillateur intermittent.

UNITE EXTERNE

- Emplacement ne favorisant pas une exposition à des vents violents.
- Emplacement favorisant une bonne circulation d'air sans poussière excessive.
- Emplacement ne favorisant pas une exposition à la pluie ou aux rayons directs du soleil.
- Emplacement ne générant pas de nuisance pour le voisinage (bruit de fonctionnement ou pulsation d'air chaud).
- Emplacement sur un mur ou un support rigides pour éviter toute propagation du bruit de fonctionnement ou vibration de l'appareil.
- Emplacement qui ne risque pas d'être exposé à des fuites de gaz combustible.
- Lorsque l'appareil est installé en hauteur, les pieds de support doivent être fixés.
- Emplacement à 3 m minimum de l'antenne TV ou radio. Le fonctionnement du climatiseur peut interférer avec la réception des ondes radio ou TV dans des régions où la réception est faible. Il peut s'avérer nécessaire de brancher un amplificateur sur l'appareil concerné.
- Toujours installer l'appareil à l'horizontale.
- Installer le climatiseur dans un endroit à l'abri du vent et de la neige. Dans un endroit soumis à de fortes chutes de neige, installer un abri, un socle et/ou des écrans de protection.

Remarque :

Il est conseillé de faire une boucle avec le tuyau le plus près possible de l'unité externe de façon à réduire les vibrations transmises par l'unité.

Remarque :

- Si vous utilisez le climatiseur alors que la température extérieure est basse, veillez à observer les instructions ci-dessous.
- N'installez jamais l'unité externe dans un endroit où le côté présentant l'entrée/la sortie d'air risque d'être directement exposé au vent.
- Pour protéger l'unité externe du vent, installez-la de façon à ce que l'entrée d'air soit face au mur.
- Pour éviter toute exposition au vent, il est recommandé d'installer un écran de protection du côté de la sortie d'air de l'unité externe.
- Pour éviter tout problème de fonctionnement, évitez d'installer le climatiseur dans les endroits suivants :
 - En présence de fuites de gaz inflammable.
 - En présence d'une grande quantité d'huile de machine.
 - Dans des endroits exposés à des projections d'huile ou dont l'atmosphère est chargée d'huile (tels que les centres de cuisson et les usines susceptibles de modifier et d'altérer les caractéristiques du plastique).
 - Dans les régions où l'air est très salin, comme en bord de mer.
 - En présence de gaz sulfureux, comme dans les stations thermales.
 - En présence d'équipements haute fréquence ou sans fil.
 - En présence d'émissions importantes de COV (composés organiques volatiles), dont les composés de phthalate, le formaldéhyde etc., qui peuvent provoquer un craquage chimique.

1-3. FICHE TECHNIQUE

Modèle		Alimentation *1			Caractéristiques des câbles *2		Taille des tuyaux (épaisseur *3, *4)
Unité interne	Unité externe	Tension nominale	Fréquence	Puissance électrique du disjoncteur	Alimentation (3 noyaux)	Câble de connexion de l'unité interne/externe	Gaz / Liquide
MFZ-KJ25VE	MUFZ-KJ25VE(HZ)	230 V	50 Hz	10 A	1,0 mm ²	4 noyaux de 2,0 mm ²	ø9,52 / 6,35 mm (0,8 mm)
MFZ-KJ35VE	MUFZ-KJ35VE			12 A	1,5 mm ²		
MFZ-KJ50VE	MUFZ-KJ50VE(HZ)			16 A	2,0 mm ²		

(KJ25, 35/KJ50)

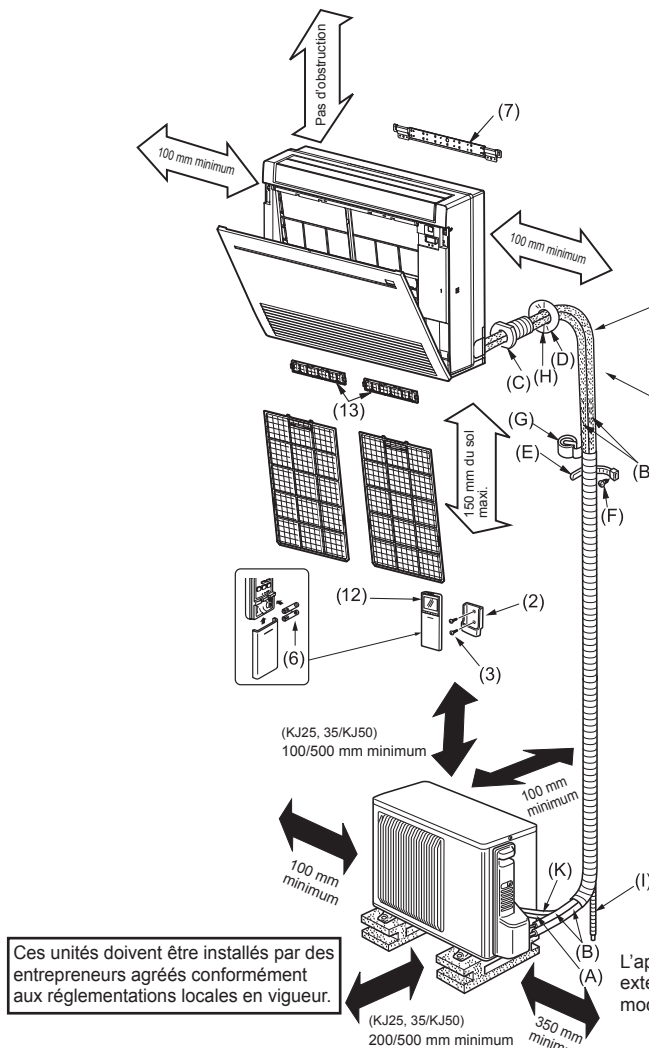
Longueur des tuyaux et différence de hauteur	
Longueur maxi. des tuyaux	20/30 m
Différence de hauteur maxi.	12/15 m
Nombre de coudes maxi. *5, *6	10
Dosage du réfrigérant A *7	30/20 g/m
Épaisseur de l'isolation *8, *9	8 mm

*1 Raccordez à l'interrupteur d'alimentation qui présente un espace de 3 mm minimum lorsqu'il est en position ouverte pour interrompre la phase d'alimentation de la source. (Lorsque l'interrupteur d'alimentation est en position fermée, toutes les phases doivent être interrompues.)
 *2 Utilisez des câbles conformes au modèle 60245 IEC 57.
 *3 N'utilisez jamais des tuyaux dont l'épaisseur est inférieure à celle recommandée. Leur résistance à la pression serait insuffisante.

*4 Utilisez un tuyau en cuivre ou en alliage de cuivre sans soudure.
 *5 Veillez à ne pas écraser ou tordre le tuyau lors du cintrage.
 *6 Le rayon du cintrage d'un tuyau de réfrigérant doit être de 100 mm minimum.
 *7 Si la longueur du tuyau dépasse 7 m, une quantité supplémentaire de réfrigérant (R410A) doit être ajoutée. (Aucune quantité supplémentaire n'est nécessaire pour une longueur de tuyau inférieure à 7 m.)

Quantité supplémentaire de réfrigérant = A × (longueur de tuyau (m) - 7)
 *8 Matériau d'isolation : mousse plastique résistante à la chaleur d'une densité de 0,045
 *9 Utilisez toujours un matériau isolant de l'épaisseur spécifiée. Une isolation trop épaisse pourrait être à l'origine d'une installation incorrecte de l'unité interne alors qu'une isolation trop fine pourrait provoquer des fuites.

1-4. SCHEMA D'INSTALLATION

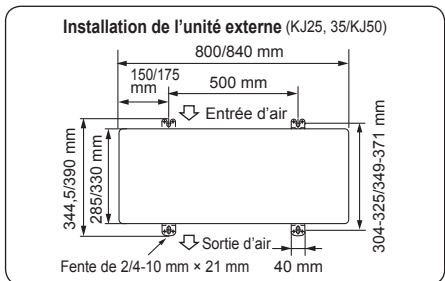


Veillez à utiliser le manchon d'ouverture murale (C) pour éviter tout contact entre le câble de connexion de l'unité interne/externe (A) et les pièces métalliques du mur ou toute détérioration causée par les rongeurs si le mur est creux.

Bouchez l'ouverture murale avec du mastic (H).
 Fixez le tuyau au mur avec la bande de fixation de tuyau (E).
 Coupez l'excédent.
 Bande de fixation de tuyau (E)
 Vis de fixation (F)

Après le test de contrôle des fuites, appliquez soigneusement du matériau isolant pour obstruer les trous.

Si la tuyauterie doit être fixée sur un mur contenant des métaux (de l'étain par ex.) ou un treillis métallique, utilisez un morceau de bois traité d'une épaisseur de 20 mm minimum entre le mur et la tuyauterie ou isolez la tuyauterie en lui appliquant 7 à 8 couches de ruban adhésif en vinyle. Si vous désirez utiliser la tuyauterie existante, effectuez un cycle de REFROIDISSEMENT de 30 minutes et lancez l'aspiration avant de procéder à la dépose de l'ancien climatiseur. Reformez l'écrou évasé en respectant les dimensions des nouveaux tuyaux de réfrigérant.



Tuyau de vidange de l'unité externe
<Type VE uniquement>

- Installez le tuyau de vidange avant de raccorder la tuyauterie des unités interne et externe.
- Raccordez le tuyau de vidange (I) diam. int. de 15 mm comme sur l'illustration.
- Veillez à installer le tuyau de vidange vers le bas pour faciliter le flux de condensation.

Remarque :
 Toujours installer l'appareil à l'horizontale. N'utilisez pas de douille de vidange (14) dans les régions froides. Le liquide vidangé pourrait geler et provoquer l'arrêt du ventilateur. L'unité externe produite de la condensation en mode de chauffage. Choisir le lieu d'installation du climatiseur de façon à éviter que l'unité externe et/ou le sol ne soient mouillés par les condensats ou endommagés par le gel des condensats.

ACCESSOIRES

Vérifier les pièces suivantes avant l'installation.

(1) Tuyau de vidange*	1
(2) Support de la télécommande	1
(3) Vis de fixation pour (2) 3,5 × 16 mm (noire)	2
(4) Gaine du tuyau	1
(5) Collier	2
(6) Pile (AAA) pour (12)	2
(7) Support de fixation de l'appareil intérieur	1
(8) Vis de fixation pour (7) 4 × 25 mm	5
(9) Vis à bois pour la fixation de l'appareil intérieur	4
(10) Rondelle de (9)	4
(11) Bande de feutre (Utilisée pour la tuyauterie côté gauche ou arrière gauche)	1
(12) Télécommande sans fil	1
(13) Filtre d'épuration d'air	2

* Remarque :
 Le tuyau de vidange est raccordé à l'appareil.
 <Unité externe>

(14) Douille de vidange (Type VE uniquement)	1
--	---

PIECES A FOURNIR AU LOCAL D'INSTALLATION

(A) Câble de connexion de l'unité interne/externe*	1
(B) Tuyau télescopique	1
(C) Manchon d'ouverture murale	1
(D) Cache d'ouverture murale	1
(E) Bande de fixation de tuyau	2 - 5
(F) Vis de fixation pour (E) 4 × 20 mm	2 - 5
(G) Ruban adhésif de tuyauterie	1
(H) Mastic	1
(I) Tuyau de vidange (ou tuyau en PVC souple, 15 mm de diamètre intérieur ou tuyau en PVC dur VP16)	1 ou 2
(J) Huile réfrigérante	1
(K) Cordon d'alimentation*	1

* Remarque :
 Placez le câble de connexion de l'unité intérieur/externe (A) et le cordon d'alimentation (K) à 1 m minimum du câble de l'antenne TV.

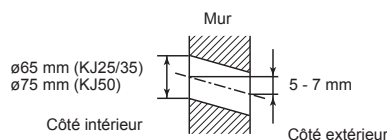
2. INSTALLATION DE L'UNITE INTERNE

2-1. INSTALLATION DU SUPPORT DE FIXATION DE L'UNITE INTERNE

- Repérez un matériau de structure (comme un goujon) dans le mur et fixez le support (7) horizontalement à l'aide de vis de fixation (8).
- Pour éviter toute vibration du support (7), veillez à installer les vis de fixation dans les trous indiqués sur l'illustration. Pour obtenir un support supplémentaire, vous pouvez également poser des vis de fixation dans d'autres trous.

2-2. PERCEMENT D'UNE OUVERTURE

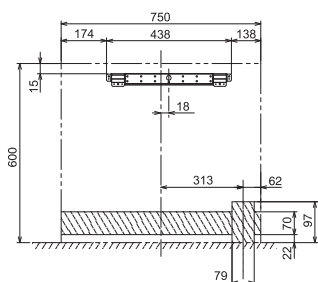
- 1) Déterminer la position de l'ouverture murale.
- 2) Percer un trou de 65 mm de diamètre (dia. 75 mm pour le modèle KJ50).
Le côté extérieur doit être 5 à 7 mm plus bas que le côté intérieur.
- 3) Insérer le manchon d'ouverture murale (C).



POSITIONNEMENT DES TROUS

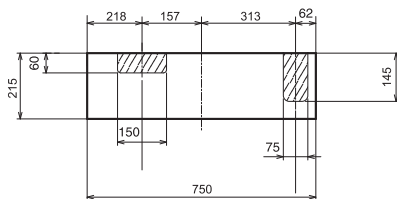
POUR LA TUYAUTERIE COTE GAUCHE OU ARRIERE GAUCHE

(Le schéma suivant représente une vue de face de l'emplacement d'installation de l'appareil intérieur.)

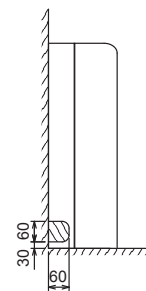


POUR LA TUYAUTERIE INCLINEE VERS LE BAS COTE DROIT OU GAUCHE

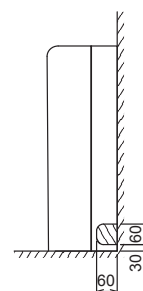
(Le schéma suivant présente une vue plongeante de la partie inférieure de l'appareil intérieur.)



POUR LA TUYAUTERIE COTE GAUCHE



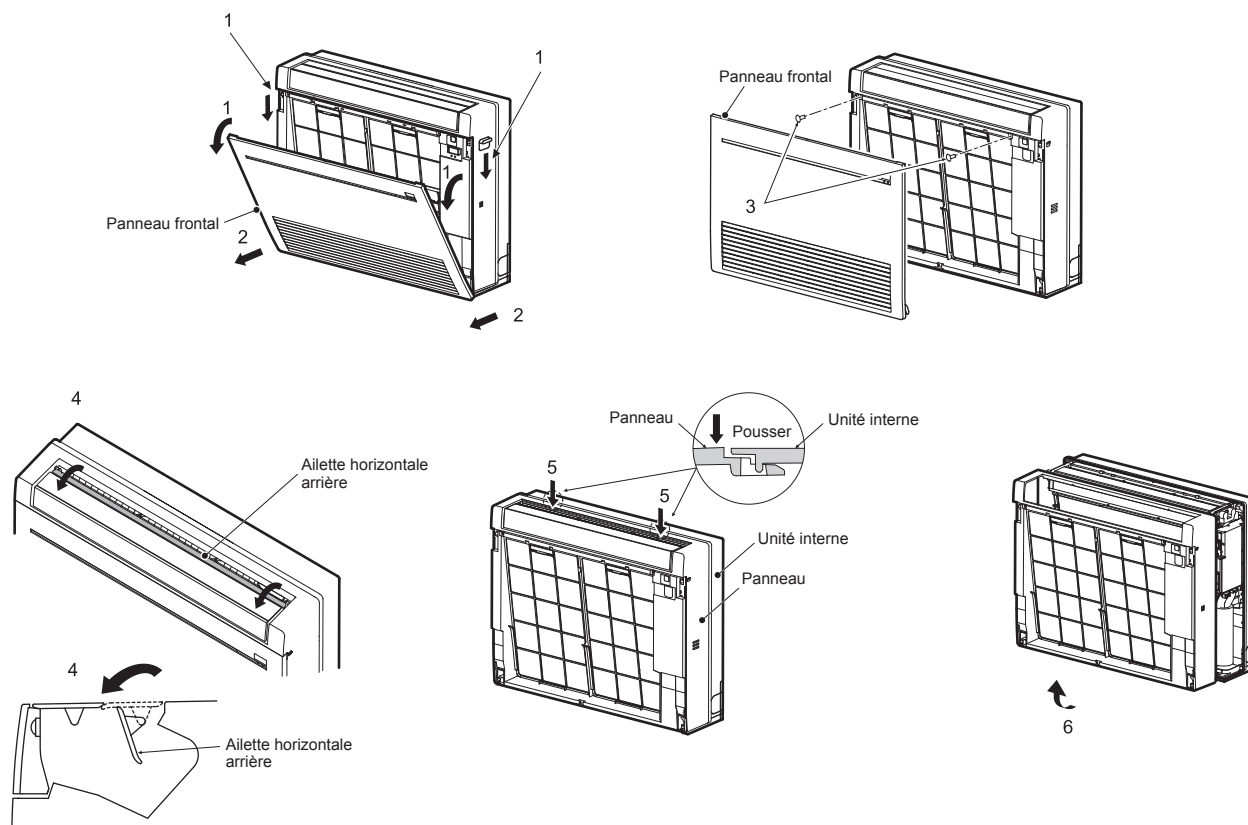
POUR LA TUYAUTERIE COTE DROIT



2-3. PREPARATION DE L'APPAREIL INTERIEUR

Déposez le panneau frontal de l'unité intérieure.

- 1) Poussez vers le bas l'attache des deux côtés de l'unité pour ouvrir le panneau avant.
- 2) Tirez le panneau avant vers vous pour le déposer.
- 3) Retirez les 2 vis.
- 4) Ouvrez l'ailette horizontale arrière.
- 5) Appuyez sur les 2 zones du haut du panneau puis tirez la partie supérieure du panneau vers vous.
- 6) Soulevez (légèrement) le panneau pour le dégager.



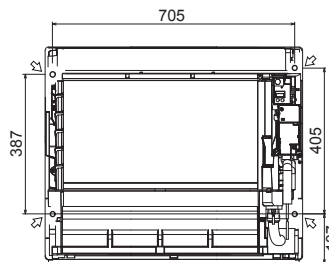
2-4. INSTALLATION DE L'APPAREIL INTERIEUR

2-4-1. INSTALLATION DE L'APPAREIL INTERIEUR SUR LE SOL

1. Placez l'appareil intérieur sur un sol plat.
2. Fixez l'appareil intérieur en 4 points à l'aide des vis à bois (9) et des rondelles (10) fournies. Serrez fermement les vis.

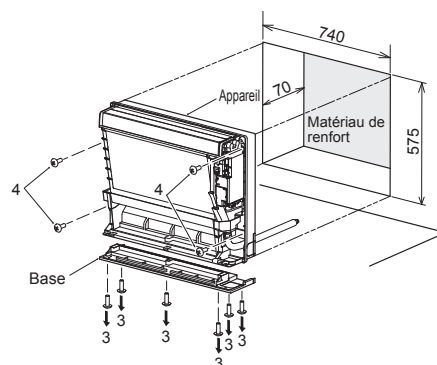
2-4-2. INSTALLATION DE L'APPAREIL INTERIEUR SUR LE MUR

1. Fixez le haut de l'appareil intérieur sur le support de fixation (7) qui lui est réservé.
2. Fixez l'appareil intérieur en 4 points à l'aide des vis à bois (9) et des rondelles (10) fournies. Serrez fermement les vis.



2-4-3. ENCASTREMENT DE L'APPAREIL INTERIEUR DANS UN MUR

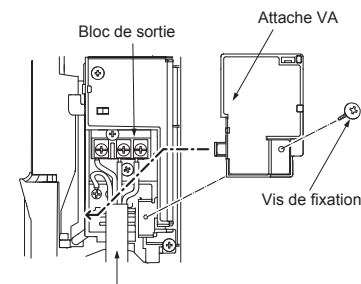
1. Percez un trou dans le mur.
2. Réglez la profondeur à l'aide de matériau de renfort.
3. Retirez les 6 vis qui fixent la base à l'appareil. Retirez la base de l'appareil.
4. Fixez l'appareil intérieur en 4 points à l'aide des vis à bois (9) et des rondelles (10) fournies. Serrez fermement les vis.



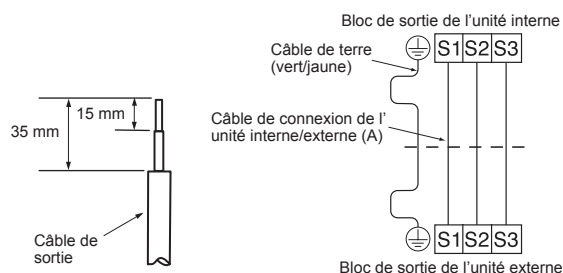
2-5. RACCORDEMENT DES CABLES DE L'UNITE INTERNE

- 1) Retirez l'attache VA.
- 2) Passez le câble de connexion de l'unité interne/externe (A) depuis l'arrière de l'unité interne et préparez l'extrémité du câble.
- 3) Desserrer la vis de fixation des bornes, raccorder d'abord le câble de terre, puis le câble de connexion de l'unité interne/externe (A) au bloc de sortie. Veiller à ne pas effectuer d'erreur de branchement. Fixer fermement le câble au bloc de sortie pour ne faire apparaître aucune partie de son noyau et n'appliquer aucune force extérieure à la section de raccordement du bloc de sortie.
- 4) Serrer fermement les vis de fixation des bornes afin d'éviter tout faux contact. Après l'opération de serrage, tirer légèrement sur les câbles pour s'assurer qu'ils sont bien fixés.
- 5) Fixez le câble de connexion de l'appareil intérieur/extérieur (A) et le câble de terre à l'aide de l'attache VA. N'oubliez jamais d'accrocher la griffe gauche de l'attache VA. Fixez fermement l'attache VA.

- Veiller à ce que le câble de terre soit un peu plus long que les autres câbles. (45 mm minimum)
- Prévoir une longueur de câble de connexion supplémentaire en vue d'entretiens ultérieurs.
- Ne pas plier l'excédent de fil, ne pas l'entasser dans un petit espace. Attention à ne pas endommager les fils.
- Veiller à fixer chaque vis dans la borne correspondante lors de la fixation du cordon et/ou du câble au bloc de raccordement.



Câble de connexion de l'appareil intérieur/extérieur (A)



2-6. CINTRAGE ET INSTALLATION DE LA TUYAUTERIE

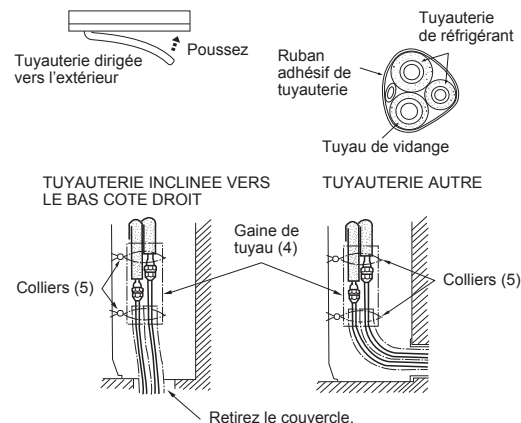
Cintrage de la tuyauterie

- Acheminez le tuyau de vidange en diagonale sous les tuyaux de connexion.
- Veillez à ce que le tuyau de vidange ne soit pas acheminé vers le haut et que le tuyau n'ondule pas.
- Ne tirez pas le tuyau de vidange, puis enroulez du ruban autour.
- Acheminez la tuyauterie de sorte qu'elle ne dépasse pas de l'arrière de l'appareil intérieur (Consultez le schéma de droite.)

Installation de la tuyauterie de connexion

- Installez les tuyaux de connexion de façon à ce qu'ils puissent bouger légèrement vers l'avant, l'arrière, la gauche et la droite.

- Veillez à isoler les tuyaux de connexion de manière qu'ils n'entrent pas en contact avec le panneau.
- Veillez à ne pas écraser les tuyaux de connexion en les pliant.



POUR LA TUYAUTERIE CÔTÉ GAUCHE OU ARRIÈRE GAUCHE

Attachez les tuyaux de connexion et le tuyau de vidange ensemble, puis entourez-les d'une bande de feutre (11).

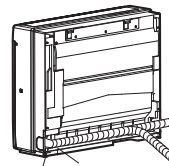
Coupez et utilisez les panneaux latéraux inférieurs sur les côtés gauche et droit de l'appareil intérieur comme indiqué ci-dessous. Limez les bords coupés des panneaux latéraux pour éviter qu'ils endommagent le revêtement isolant.

- Pour la tuyauterie côté gauche ou côté droit
- Pose d'un dispositif de vidange contre un mur avec plinthe



Coupez les panneaux latéraux inférieurs pour qu'ils correspondent à la hauteur de la plinthe.

Enroulez la bande de feutre (11) fermement autour des tuyaux et du flexible en commençant à partir de l'appareil intérieur. (La largeur de chevauchement de la bande de feutre (11) ne doit pas dépasser 1/2 de la largeur totale de la bande.)



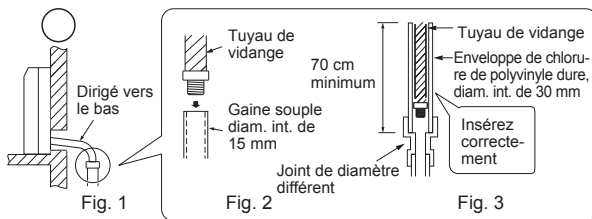
Commencez par enrouler le ruban adhésif de tuyauterie (G) autour des tuyaux et du flexible à 10 mm à l'intérieur de l'appareil intérieur.

Fixez l'extrémité de la bande de feutre (11) à l'aide d'une agrafe de bande.

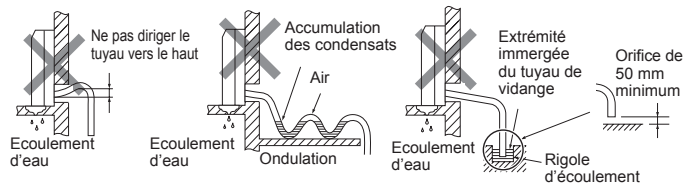
Veillez à ce que le tuyau de vidange ne soit pas acheminé vers le haut.

2-7. TUYAUTERIE DE VIDANGE

- Si la rallonge du tuyau de vidange doit traverser une pièce, veillez à l'envelopper d'un isolant disponible dans le commerce.
- Le tuyau de vidange doit être dirigé vers le bas pour faciliter l'écoulement. (Fig. 1)
- Si le tuyau de vidange fourni avec l'unité interne est trop court, connectez-le au tuyau de vidange (I) se trouvant dans le local d'installation. (Fig. 2)
- Lors du raccordement du tuyau de vidange à l'enveloppe de chlorure de polyvinyle dure, veillez à l'insérer correctement dans l'enveloppe. (Fig. 3)

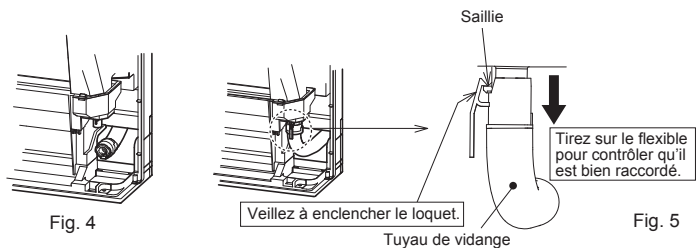


Les exemples d'installation de la tuyauterie de vidange illustrés ci-dessous sont à éviter.



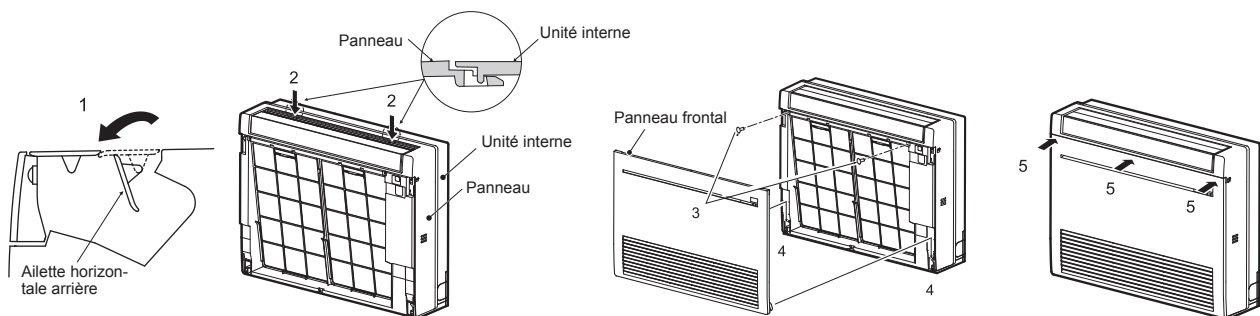
Le tuyau de vidange est déposé lors de l'installation.

- Lors de l'acheminement de la tuyauterie de vidange, veillez à acheminer le tuyau de vidange (1) comme indiqué. (Fig. 4)
 - Insérez complètement le tuyau de vidange dans le fond du bac de vidange (connexion terminale). (Fig. 5)
- Veillez à ce que le loquet du tuyau de vidange soit solidement accroché sur la saillie du raccord de tuyau du bac de vidange.
- Après avoir raccordé le flexible de drainage, n'oubliez pas de tirer sur le flexible pour contrôler qu'il est bien raccordé.



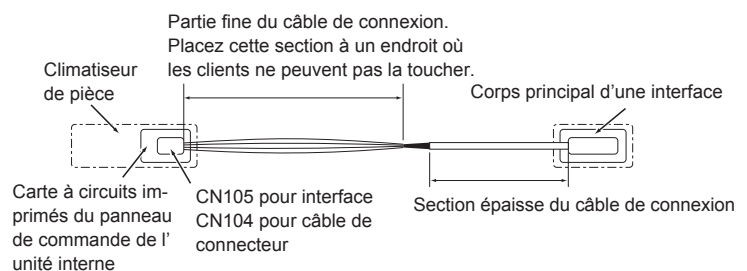
2-8. INSTALLATION DU PANNEAU FRONTAL

- 1) Ouvrez l'ailette horizontale arrière.
- 2) Fixez le panneau. Vérifiez que les loquets sont engagés.
- 3) Fixez le panneau à l'aide de vis.
- 4) Insérez la partie inférieure du panneau frontal.
- 5) Appuyez sur la partie supérieure du panneau frontal en 3 emplacements pour la fermer.



2-9. RACCORDEMENT D'UN CÂBLE D'INTERFACE (option)/CÂBLE DE CONNECTEUR (option) AU CLIMATISEUR

- A l'aide d'un câble de connexion, connectez un câble d'interface/de connexion à la carte à circuits imprimés du panneau de commande de l'appareil intérieur d'un climatiseur.
- Une coupure ou une extension du câble de connexion du câble d'interface/de connecteur provoquera des défauts de connexion. Ne groupez pas le câble de connexion avec le cordon d'alimentation électrique, le câble de connexion de l'unité interne/externe, et/ou le câble de mise à la terre. Eloignez autant que possible le câble de connexion de ces câbles.
- La section fine du câble de connexion doit être stockée et placée à un endroit où les clients ne peuvent pas la toucher.

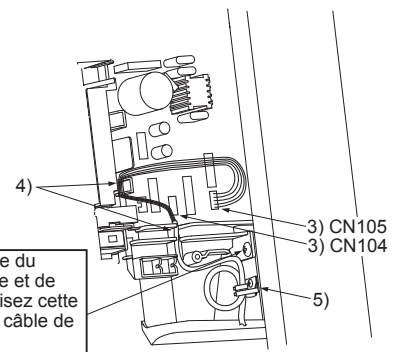


- 1) Retirez le panneau.
- 2) Ouvrez le couvercle de la carte à circuits imprimés du panneau de commande de l'unité interne.
- 3) Raccordez le câble de connexion au point CN105 et/ou CN104 de la carte à circuits imprimés du panneau de commande de l'appareil intérieur.
- 4) Acheminez le câble de connexion via le point illustré.
- 5) Fixez le serre-câble fourni avec le câble d'interface/de connecteur sur la section épaisse du câble de connexion à l'aide d'une vis de 4x16, comme illustré.
- 6) Fermez le couvercle de la carte à circuits imprimés du panneau de commande de l'unité interne. Veillez à ne pas coincer la section fine du câble de connexion avec le couvercle. Réinstallez le panneau.

⚠ AVERTISSEMENT

Fixez correctement le câble de connexion à l'emplacement indiqué. Une installation incorrecte risque d'être à l'origine d'un choc électrique, d'un incendie et/ou d'un dysfonctionnement.

Pour le montage du câble d'interface et de connecteur, utilisez cette vis pour fixer le câble de connexion.

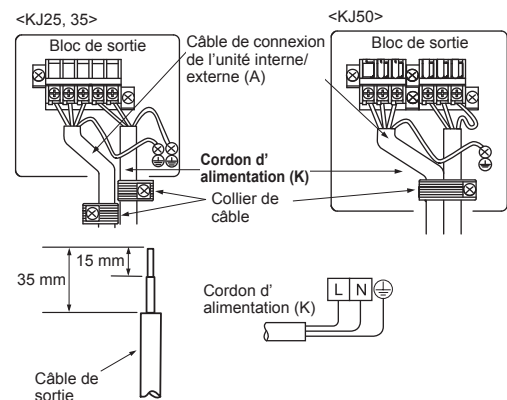


3. INSTALLATION DE L'UNITÉ EXTERNE

3-1. RACCORDEMENT DES CABLES DE L'UNITÉ EXTERNE

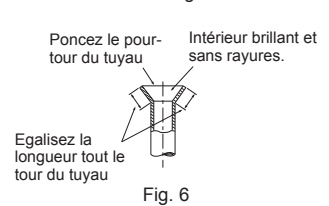
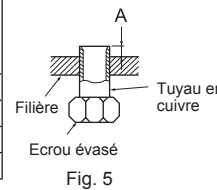
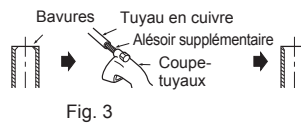
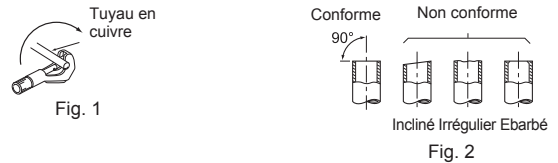
- 1) Ouvrez le panneau de service.
- 2) Desserrez la vis de fixation des bornes, raccordez correctement le câble de connexion de l'unité interne/externe (A) depuis l'unité interne au bloc de sortie. Veillez à ne pas effectuer d'erreur de branchement. Fixez fermement le câble au bloc de sortie pour ne faire apparaître aucune partie de son noyau et n'appliquez aucune force extérieure à la section de raccordement du bloc de sortie.
- 3) Serrez fermement les vis de fixation des bornes afin d'éviter tout faux contact. Après l'opération de serrage, tirez légèrement sur les câbles pour s'assurer qu'ils sont bien fixés.
- 4) Branchez le cordon d'alimentation (K).
- 5) Fixez le câble de connexion de l'unité interne/externe (A) et le cordon d'alimentation (K) avec le collier de câble.
- 6) Refermez soigneusement le panneau de service.

- Veillez à ce que le câble de terre soit un peu plus long que les autres câbles. (100 mm minimum)
- Prévoyez une longueur de câble de connexion supplémentaire en vue d'entretiens ultérieurs.
- Veillez à fixer chaque vis dans la borne correspondante lors de la fixation du cordon et/ou du câble au bloc de raccordement.



3-2. TRAVAUX D'ÉVASEMENT

- 1) Coupez correctement le tuyau en cuivre avec un coupe-tuyaux. (Fig. 1, 2)
- 2) Ebarbez parfaitement la partie tronçonnée du tuyau. (Fig. 3)
 - Dirigez l'extrémité du tuyau en cuivre vers le bas lors de l'ébarbage de façon à éliminer les bavures de l'intérieur du tuyau.
- 3) Retirez les écrous à évasement fixés sur les unités interne et externe, puis posez-les sur le tuyau après avoir éliminé toutes les bavures. (il est impossible de les poser après les travaux d'évasement).
- 4) Travaux d'évasement (Fig. 4, 5). Tenez fermement le tuyau de cuivre dans la dimension indiquée dans le tableau. Sélectionnez A mm dans le tableau suivant l'outil que vous utilisez.
- 5) Contrôle
 - Comparez les travaux d'évasement avec la Fig. 6.
 - Si l'évasement n'est pas conforme à l'illustration, coupez la partie évasée et refaites l'évasement.



Diamètre du tuyau (mm)	Ecrrou (mm)	A (mm)		Couple de serrage	
		Outil type d'embrayage pour le modèle R410A	Outil type d'embrayage pour le modèle R22	N•m	kgf•cm
ø6,35 (1/4")	17	0 - 0,5	1,0 - 1,5	1,5 - 2,0	13,7 - 17,7 / 140 - 180
ø9,52 (3/8")	22			34,3 - 41,2 / 350 - 420	
ø12,7 (1/2")	26			49,0 - 56,4 / 500 - 575	
ø15,88 (5/8")	29			73,5 - 78,4 / 750 - 800	

3-3. RACCORDEMENT DES TUYAUX

- Serrez l'écrou évasé avec une clé dynamométrique comme indiqué dans le tableau.
- Si l'écrou évasé est trop serré, à long terme, il pourrait se rompre et provoquer une fuite de réfrigérant.
- Assurez-vous que la tuyauterie est enveloppée d'isolant. Un contact direct avec la tuyauterie nue peut entraîner des brûlures ou des engelures.

Raccordement de l'unité interne

Raccordez les conduits de liquide et de gaz à l'unité interne.

- Appliquez une fine couche d'huile réfrigérante (J) sur les extrémités évasées des tuyaux. N'appliquez pas d'huile réfrigérante sur les filetages. Un couple de serrage excessif endommagera la vis.
- Pour effectuer le raccordement, alignez d'abord le centre, puis serrez l'écrou à évasement de 3 à 4 tours.
- Respecter les couples de serrage indiqués dans le tableau ci-dessus pour raccorder la tuyauterie de l'appareil intérieur et serrer avec deux clés. Un serrage excessif risque d'endommager la partie évasée.

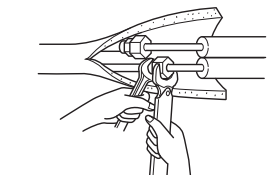
Raccordement de l'unité externe

Raccordez les tuyaux aux raccords de tuyau du robinet d'arrêt de l'unité externe de la même façon que pour l'unité interne.

- Le serrage doit être effectué avec une clé dynamométrique ou une clé plate en respectant les couples de serrage spécifiés pour l'unité interne.

3-4. ISOLATION THERMIQUE ET RUBANAGE

- 1) Recouvrez les raccords de tuyauterie d'une bande isolante pour tuyaux.
- 2) Du côté de l'unité externe, isolez correctement chaque tuyau, vannes incluses.
- 3) Appliquez du ruban adhésif de tuyauterie (G) en commençant par l'entrée de l'unité externe.
 - Collez l'extrémité du ruban adhésif (G) (avec le produit adhésif fourni).
 - Si la tuyauterie doit passer dans le plafond, les toilettes ou dans un endroit où la température et l'humidité sont élevées, ajoutez une couche supplémentaire de bande isolante disponible dans le commerce pour éviter toute formation de condensation.



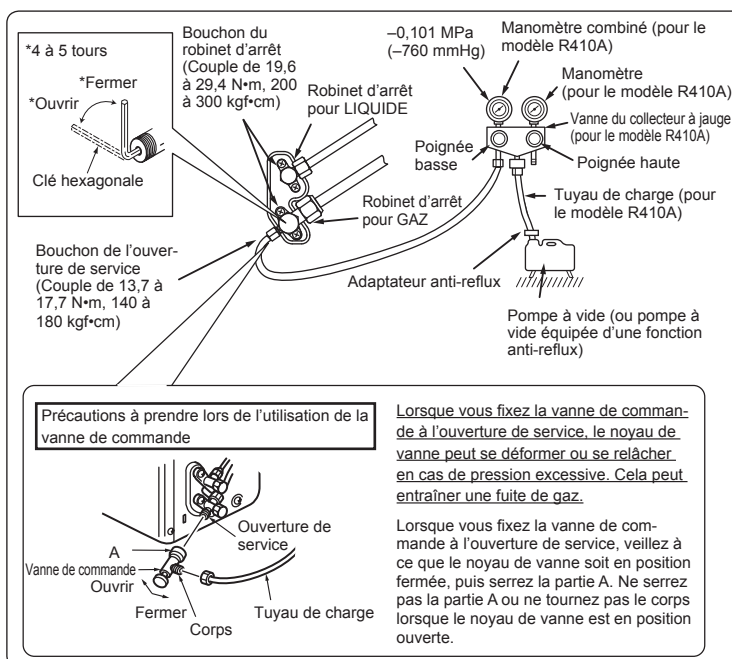
⚠ AVERTISSEMENT

Pendant l'installation de l'appareil, branchez correctement les tuyaux de réfrigérant avant de lancer le compresseur.

4. PROCEDURES DE PURGE, TEST DE CONTROLE DES FUITES ET ESSAI DE FONCTIONNEMENT

4-1. PROCEDURES DE PURGE ET TEST DE CONTROLE DES FUITES

- 1) Retirez le bouchon de l'ouverture de service du robinet d'arrêt du côté du conduit de gaz de l'unité externe. (A l'origine, les robinets d'arrêt sont complètement fermés et recouverts d'un capuchon.)
- 2) Raccordez la vanne du collecteur à jauge et la pompe à vide à l'ouverture de service du robinet d'arrêt du côté du conduit de gaz de l'unité externe.
- 3) Mettez la pompe à vide en marche. (Faites le vide pendant 15 minutes minimum.)
- 4) Contrôlez la dépression ainsi obtenue avec la vanne du collecteur à jauge, puis fermez la vanne et arrêtez la pompe à vide.
- 5) Patientez pendant une minute ou deux. Assurez-vous que l'aiguille de la vanne du collecteur à jauge reste dans la même position. Vérifiez que le manomètre indique une pression de $-0,101$ MPa [Jauge] (-760 mmHg).
- 6) Retirez rapidement la vanne du collecteur à jauge de l'ouverture de service du robinet d'arrêt.
- 7) Lorsque les conduites de réfrigérant sont raccordées et purgées, ouvrez complètement les robinets d'arrêt aux deux extrémités des conduits de liquide et de gaz. La mise en service sans ouvrir complètement les robinets d'arrêt diminue le rendement de l'unité et peut être source de panne.
- 8) Reportez-vous aux étapes 1-3. et chargez la quantité de réfrigérant recommandée si nécessaire. Veillez à charger lentement le liquide réfrigérant. Sinon, la composition de réfrigérant dans le système peut changer et affecter les performances du climatiseur.
- 9) Serrez le bouchon de l'ouverture de service pour recréer les conditions d'origine.
- 10) Test de contrôle des fuites



4-2. ESSAI DE FONCTIONNEMENT

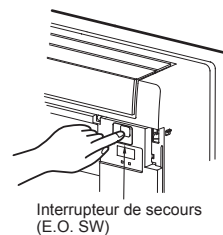
Veillez procéder aux étapes suivantes.

- Le panneau est posé correctement.
 - Les unités interne et externe sont posées et alimentées correctement.
- 1) Appuyer une fois sur l'interrupteur de secours (E.O. SW) pour le refroidissement (COOL) et deux fois pour le chauffage (HEAT). L'essai de fonctionnement va s'effectuer pendant 30 minutes. Si le témoin de fonctionnement gauche clignote toutes les 0,5 secondes, vérifier le câble de connexion de l'unité interne/externe (A) pour détecter tout mauvais branchement. Le mode d'urgence (température réglée sur 24°C) prendra le relais à la fin de l'essai de fonctionnement.
 - 2) Pour arrêter le fonctionnement, appuyez plusieurs fois sur le bouton E.O. SW jusqu'à ce que les témoins LED s'éteignent. Consultez la notice d'utilisation pour plus d'informations.

Contrôle de la réception des signaux (infrarouges) de la télécommande

Appuyez sur la touche MARCHE/ARRET de la télécommande (12) et vérifiez l'audibilité du signal sonore électronique provenant de l'unité interne. Appuyez de nouveau sur la touche MARCHE/ARRET de la télécommande pour éteindre le climatiseur.

- A l'arrêt du compresseur, le dispositif de prévention du redémarrage se met en marche pour éviter le redémarrage du compresseur pendant 3 minutes pour protéger le climatiseur.



4-3. FONCTION DE REDEMARRAGE AUTOMATIQUE

Ce produit est équipé d'une fonction de redémarrage automatique. Lorsque l'alimentation se coupe pendant le fonctionnement (comme lors des pannes d'électricité), la fonction remet automatiquement l'unité en marche sur le réglage précédent dès que l'alimentation est rétablie. (Consultez la notice d'utilisation pour plus d'informations.)

Attention:

- Après l'essai de fonctionnement ou le contrôle de la réception des signaux de la télécommande, éteignez l'unité à l'aide du bouton E.O. SW ou de la télécommande avant de couper l'alimentation. Sinon, l'unité se remettra automatiquement en marche lorsque l'alimentation est rétablie.

A l'attention de l'utilisateur

- Après installation de l'unité, veillez à expliquer à l'utilisateur la fonction de redémarrage automatique.
- Si la fonction de redémarrage automatique n'est pas indispensable, elle peut être désactivée. Adressez-vous au responsable de l'entretien pour désactiver la fonction. Consultez le manuel d'entretien pour plus d'informations.

4-4. EXPLICATIONS DESTINEES A L'UTILISATEUR

- A l'aide de la NOTICE D'UTILISATION, expliquez à l'utilisateur l'emploi du climatiseur (utilisation de la télécommande, remplacement des filtres à air, enlèvement ou placement de la télécommande sur son support, nettoyage, précautions à prendre pour le fonctionnement, etc.)
- Recommandez à l'utilisateur de lire attentivement la NOTICE D'UTILISATION.

5. PURGE

Lors du déplacement ou de la mise au rebut du climatiseur, il est nécessaire de purger le système en suivant la procédure ci-dessous de façon à ne pas libérer le réfrigérant dans l'atmosphère.

- 1) Raccordez la vanne du collecteur à jauge à l'ouverture de service du robinet d'arrêt du côté du conduit de gaz de l'unité externe.
- 2) Fermez complètement le robinet d'arrêt du côté du conduit de liquide de l'unité externe.
- 3) Fermez presque complètement le robinet d'arrêt du côté du conduit de gaz de l'unité externe pour faciliter sa fermeture complète lorsque le manomètre indique 0 MPa [jauge] (0 kgf/cm²).
- 4) Lancez le mode de REFROIDISSEMENT (COOL) d'urgence.
Pour lancer le fonctionnement d'urgence en mode de REFROIDISSEMENT (COOL), débranchez la fiche d'alimentation électrique et/ou coupez le disjoncteur. Au bout de 15 secondes, rebranchez la fiche d'alimentation électrique et/ou enclenchez le disjoncteur, puis appuyez une fois sur l'interrupteur de secours (E.O. SW). (Le REFROIDISSEMENT [COOL] d'urgence peut être exécuté en continu pendant 30 minutes maximum.)
- 5) Fermez complètement le robinet d'arrêt du côté du tuyau de gaz de l'unité externe lorsque le manomètre indique 0,05 à 0 MPa [jauge] (environ 0,5 à 0 kgf/cm²).
- 6) Arrêtez le mode de REFROIDISSEMENT (COOL) d'urgence.
Appuyez deux fois sur l'interrupteur de secours (E.O. SW) pour interrompre le fonctionnement.

⚠ AVERTISSEMENT

Pendant l'opération d'aspiration du réfrigérant, arrêtez le compresseur avant de débrancher les tuyaux de réfrigérant. Le compresseur peut éclater si de l'air, etc. pénètre à l'intérieur.

INHOUDSOPGAVE

1. VOOR HET INSTALLEREN 1
 2. INSTALLEREN VAN DE BINNENUNIT 3
 3. INSTALLEREN VAN DE BUITENUNIT 6
 4. REINIGINGSPROCEDURES, LEKTESTS EN PROEFDRAAIEN 7
 5. LEEGPOMPEN 7

Modelnamen zijn aangegeven in 1-3.

Gereedschap nodig voor installatie

Kruiskopschroevendraaier	Steek- of ringsleutel
Waterpas	Inbussleutel 4 mm
Rolmaat	Flensgereedschap voor R410A
Universeel mes of schaar	Meterverdeelstuk voor R410A
Gatzaag 25, 35 klasse 65 mm/50 klasse 75 mm	Vacuümpomp voor R410A
Momentsleutel	Vulslang voor R410A
	Pijpsnijder met ruimer

1. VOOR HET INSTALLEREN

1-1. LET VOOR DE VEILIGHEID ALTIJD OP HET VOLGENDE

- Lees "LET VOOR DE VEILIGHEID ALTIJD OP HET VOLGENDE" goed door voordat u de airconditioner installeert.
- Volg de hier gegeven waarschuwingen en aanwijzingen goed op, want ze zijn belangrijk voor uw veiligheid.
- Bewaar deze handleiding nadat u hem gelezen heeft samen met de **BEDIENINGSHANDLEIDING** om eventueel later te raadplegen.

⚠ WAARSCHUWING (Kan leiden tot ernstig letsel en zelfs overlijden.)

- **Installeer als gebruiker dit apparaat niet zelf.** Onvolledige installatie kan leiden tot brand, elektrische schokken, letsel doordat het apparaat valt, of lekkage van water. Raadpleeg de leverancier waar u de airconditioner kocht of een gekwalificeerde installateur.
- **Voer de installatie veilig uit volgens de installatiehandleiding.** Onvolledige installatie kan leiden tot brand, elektrische schokken, letsel doordat het apparaat valt, of lekkage van water.
- **Als u de unit installeert, gebruik dan voor de veiligheid het juiste beschermingsmateriaal en gereedschap.** Als u dat niet doet, kan dit letsel veroorzaken.
- **Installeer het apparaat stevig op een plaats die het gewicht kan dragen.** Als de plaats van installatie het gewicht niet kan dragen, kan het apparaat vallen en letsel veroorzaken.
- **Elektrische werkzaamheden moeten volgens de installatiehandleiding worden uitgevoerd, en mogen alleen door gekwalificeerde, ervaren elektriciens worden uitgevoerd.** Gebruik een aparte groep. Sluit geen andere elektrische apparaten aan op de groep. Als de capaciteit van de groep onvoldoende is of een elektrische aansluiting onjuist uitgevoerd wordt, kan dit leiden tot brand of een elektrische schok.
- **Aard het apparaat op de juiste manier.** Sluit geen aarddraad aan op een gasleiding, waterleiding, bliksemleider of aarde van een telefoon. Door onjuiste aarding kunt u elektrische schokken krijgen.
- **Zorg dat de bedrading niet wordt beschadigd doordat toegevoegde onderdelen en/of schroeven hierop te veel druk uitoefenen.** Beschadigde bedrading kan brand of elektrische schokken veroorzaken.
- **Sluit de netspanning af tijdens het installeren van de printplaat binnen of het aansluiten van bedrading.** Als u dat niet doet, kunt u een elektrische schok krijgen.
- **Gebruik de voorgeschreven draden om binnen en buitenunit veilig met elkaar te verbinden, en bevestig de draden stevig aan het aansluitblok zodat trekkracht in de draden niet op de verbindingpunten komt te staan. Verleg de bedrading niet, of gebruik geen tussenverbindingen.** Onjuist aansluiten of vastzetten kan brand veroorzaken.
- **Installeer het apparaat niet op een plaats waar ontvlambaar gas kan lekken.** Gelekt gas dat zich om de airconditioner heen ophoopt, kan een explosie veroorzaken.
- **Maak geen tussenverbindingen in het netsnoer, gebruik geen verlengsnoer en sluit niet te veel apparaten aan op hetzelfde stopcontact.** Er kan dan brand of een elektrische schok ontstaan door een slecht contact, slechte isolatie, te hoge stroomsterkte etc.
- **Gebruik uitsluitend de bijgeleverde of voorgeschreven onderdelen voor het installeren.** Gebruik van defecte onderdelen kan letsel of waterlekkage veroorzaken als gevolg van brand, een elektrische schok of vallen van het apparaat.
- **Als u de netsnoerstekker in het stopcontact steekt, let er dan op dat zich geen stof, andere opeenhoping of los onderdeel bevindt in het stopcontact of aan de stekker.** Zorg er voor dat u de netsnoerstekker volledig in het stopcontact drukt. Als zich stof, een andere opeenhoping of een los onderdeel aan de netsnoerstekker of in het stopcontact bevindt, kan brand of een elektrische schok ontstaan. Als van de netsnoerstekker een onderdeel los zit, vervang de stekker dan.
- **Bevestig de afdekking voor elektrische delen van de binnenunit en het onderhoudspaneel van de buitenunit stevig.** Indien de afdekking voor elektrische delen van de binnenunit en/of het onderhoudspaneel van de buitenunit niet goed bevestigd is/zijn, kan dit brand of een elektrische schok veroorzaken vanwege stof, water etc.
- **Zorg dat er niets anders dan het voorgeschreven koelmiddel R410A in het koelmiddelcircuit komt wanneer de airconditioner wordt geïnstalleerd, verplaatst of onderhouden.** De aanwezigheid van andere stoffen, zoals lucht, kan abnormale drukverhoging veroorzaken die kan leiden tot een explosie of lichamelijk letsel. Als u een ander koelmiddel dan het voorgeschreven koelmiddel gebruikt, kan dit leiden tot mechanische storingen, systeemstoringen of uitval van de unit. In het slechtste geval kan de productveiligheid ernstig in het geding komen.
- **Laat het koelmiddel niet ontsnappen in de atmosfeer. Als bij het installeren lekkage van koelmiddel optreedt, ventileer dan de kamer.** Als koelmiddel in contact komt met vuur, kan een schadelijk gas ontstaan. Het lekken van koelvoelstof kan verstikking veroorzaken. Zorg voor ventilatie in overeenstemming met EN378-1.
- **Controleer als de installatie voltooid is of er geen koelmiddelgas lekt.** Mocht er binnenshuis koelmiddelgas lekken, dan kunnen schadelijke stoffen ontstaan als dat in contact komt met de warmte van een ventilatorkachel, straalkachel, fornuis etc.
- **Gebruik de juiste gereedschappen en leidingmateriaal voor de installatie.** De druk van R410A is 1,6 keer zo hoog als die van R22. Door gebruik van onjuiste gereedschappen of materialen en een onvolledige installatie kunnen leidingen barsten en verwondingen ontstaan.
- **Als u het koelmiddel uit het apparaat pompt, zet de compressor dan stop voordat u de koelmiddelleidingen losmaakt.** Als u de koelmiddelleidingen losmaakt terwijl de compressor loopt en de afsluitkraan open is, dan kan lucht aangezogen worden waardoor de druk in het koelmiddelcircuit abnormaal hoog oploopt. Hierdoor kunnen de leidingen barsten en letsel veroorzaken.
- **Als u het apparaat installeert, zet de koelmiddelleidingen dan stevig vast voordat u de compressor start.** Als u de compressor start voordat de koelmiddelleidingen aangesloten zijn en de afsluitkraan is open, dan kan lucht aangezogen worden waardoor de druk in het koelmiddelcircuit abnormaal hoog oploopt. Hierdoor kunnen de leidingen barsten en letsel veroorzaken.
- **Bevestig flensmoeren met een momentsleutel zoals voorgeschreven in deze handleiding.** Indien u een flensmoer te strak aandraait, kan deze na verloop van tijd breken en koelmiddel lekkage veroorzaken.
- **Het apparaat moet geïnstalleerd worden in overeenstemming met de nationale regels voor bedrading.**

⚠ VOORZICHTIG (Kan onder bepaalde omstandigheden tot ernstig letsel leiden bij onjuist handelen.)

- **Installeer, afhankelijk van de plaats van installatie, een aardlekschakelaar.** Het ontbreken van een aardlekschakelaar kan elektrische schokken veroorzaken.
- **Voer de werkzaamheden aan afvoer en leidingen goed uit volgens de installatiehandleiding.** Door mankementen aan afvoer of leidingwerk kan water van het apparaat druppelen en het interieur nat maken en beschadigen.
- **Raak de luchtinlaat en de aluminium ribben van de buitenunit niet aan.** Dit kan letsel veroorzaken.
- **Installeer de buitenunit niet op een plaats waar mogelijk kleine dieren leven.** Als kleine dieren in het apparaat belanden en elektrische delen aanraken, kan een storing, rookontwikkeling of brand ontstaan. Adviseer de gebruiker ook om de omgeving van het apparaat schoon te houden.

1-2. BEPALEN VAN DE INSTALLATIEPLAATS

BINNENUNIT

- Waar de luchtstroom niet wordt geblokkeerd.
- Waar de lucht zich door de gehele ruimte kan verspreiden.
- Aan een stevige muur die niet trilt.
- Waar geen direct zonlicht op het apparaat valt. Stel het apparaat ook niet bloot aan direct zonlicht in de tijd tussen uitpakken en gebruik.
- Waar aftappen gemakkelijk kan.
- Op minstens 1 m afstand van tv's en radio's. De airconditioner kan de radio- of tv-ontvangst storen. Voor het betreffende apparaat kan een antenneversterker nodig zijn.
- Zo ver mogelijk uit de buurt van TL-verlichting en andere sterke lichtbronnen (zodat het infrarode afstandsbedieningssignaal de airconditioner juist kan bedienen).
- Waar het luchtfilter gemakkelijk te verwijderen en te vervangen is.

AFSTANDSBEDIENING

- Waar de afstandsbediening gemakkelijk te zien en te bedienen is.
- Waar kinderen er niet bij kunnen.
- Kies een locatie voor de binnenunit zodat deze het signaal van de afstandsbediening goed kan ontvangen. Controleer of de signalen van de afstandsbediening op die positie goed door de binnenunit worden ontvangen ("piep" of "piep piep" is te horen als ontvangststoornis). Bevestig daarna de houder van de afstandsbediening aan een muur of pilaar en plaats de draadloze afstandsbediening erin.

Opmerking:

In ruimtes waarin TL-verlichting van het invertertype wordt gebruikt, wordt het signaal van de draadloze afstandsbediening mogelijk niet ontvangen.

BUITENUNIT

- Waar geen harde wind op het apparaat staat.
- Waar de luchtstroom goed en stofvrij is.
- Waar regen of direct zonlicht zoveel mogelijk kan worden voorkomen.
- Waar de burens geen last hebben van het geluid of de hete lucht.
- Waar een stevige muur of ondersteuning beschikbaar is om lawaaitoename en trillingen te voorkomen.
- Waar geen kans bestaat dat er brandbaar gas lekt.
- Indien u de unit op een hoge plaats installeert, zet dan de poten van de unit goed vast.
- Op tenminste 3 m afstand van de antenne van een tv of radio. Op plaatsen met een slechte ontvangst kan de radio- of tv-ontvangst gestoord worden door de airconditioner. Voor het betreffende apparaat kan een antenneversterker nodig zijn.
- Installeer de unit horizontaal.
- Installeer de unit op een plaats waar geen sneeuw valt of sneeuw naartoe geblazen wordt. Breng in gebieden met zware sneeuwval een afdak, verhoging en/of enkele schotten aan.

Opmerking:

Het is aan te raden om bij de buitenunit een lus in de leiding te leggen om het doorgeven van trillingen te verminderen.

Opmerking:

Wanneer u de airconditioner bij een lage buitentemperatuur gebruikt, volg dan de onderstaande richtlijnen.

- Installeer de buitenunit nooit op een plaats waar zich luchtinlaat of -uitlaat zich direct in de wind bevindt.
- Installeer de buitenunit met de luchtinlaat naar de muur toe om blootstelling aan wind te voorkomen.
- Het is aan te raden om aan de luchtuitlaatzijde van de buitenunit een schot te plaatsen om de uitlaat uit de wind te houden.

Vermijd installatie op de volgende plaatsen, aangezien problemen met de airconditioner dan voor de hand liggen.

- Waar ontvlambaar gas kan lekken.
- Op plaatsen met veel machineolie.
- Waar olie spat of in ruimtes die gevuld zijn met olieachtige rook (zoals keukens en fabrieken waar de eigenschappen van kunststof kunnen worden gewijzigd en beschadigd).
- In zoute gebieden, bijvoorbeeld aan de kust.
- In de buurt van sulfidegas, bijvoorbeeld bij hete bronnen.
- Waar hoogfrequente of draadloze apparatuur aanwezig is.
- Waar er veel vluchtige organische stoffen vrijkomen, zoals ftalaten en formaldehyde, die tot scheuren door chemische inwerking kunnen leiden.

1-3. SPECIFICATIES

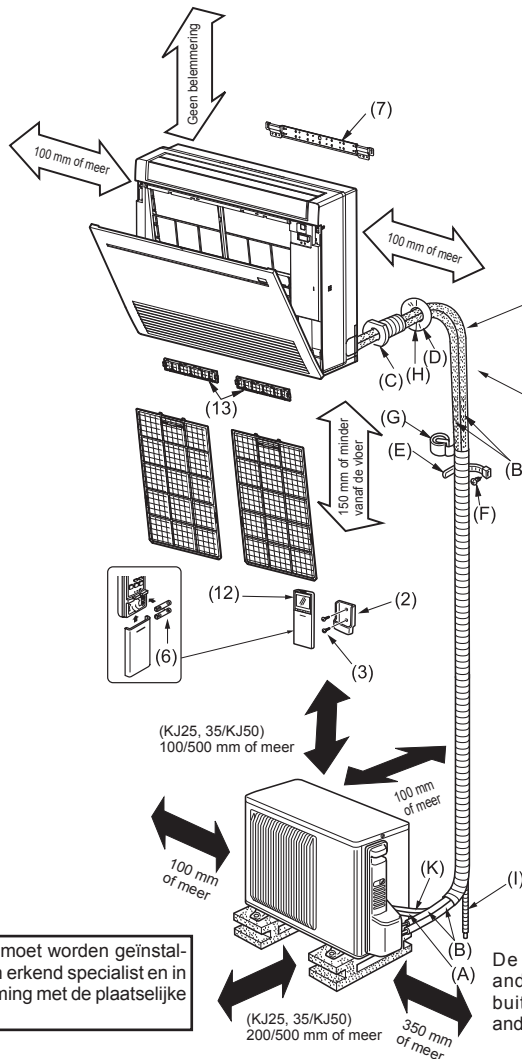
Model		Voedingsspanning *1			Bedrading *2		Leidingmaat (dikte *3, *4)	(KJ25, 35/KJ50)	
Binnenunit	Buitenunit	Nominale spanning	Frequentie	Zekering	Voedingsspanning (3-aderig)	Verbindingskabel binnen/buiten	Gas / Vloeistof	Leidinglengte en hoogteverschil	
MFZ-KJ25VE MFZ-KJ35VE	MUFZ-KJ25VE(HZ) MUFZ-KJ35VE	230 V	50 Hz	10 A	1,0 mm ²	4-aderig 2,0 mm ²	ø9,52 / 6,35 mm (0,8 mm)	Max. leidinglengte	20/30 m
MFZ-KJ35VE	MUFZ-KJ35VEHZ			12 A	1,5 mm ²			Max. hoogteverschil	12/15 m
MFZ-KJ50VE	MUFZ-KJ50VE(HZ)			16 A	2,0 mm ²			Max. aantal bochten *5, *6	10
								Aanpassing koelmiddel A *7	30/20 g/m
								Dikte isolatie *8, *9	8 mm

- *1 Gebruik een netschakelaar die voor stroomonderbreking een open stand heeft met een opening van 3 mm of meer. (Als de stroom wordt uitgeschakeld, moeten alle fasen onderbroken worden.)
 *2 Gebruik draden die in overeenstemming zijn met ontwerp 60245 IEC 57.
 *3 Gebruik nooit leidingen die dunner zijn dan voorgeschreven. De weerstand tegen druk is dan onvoldoende.

- *4 Gebruik koperen leiding of naadloze leiding van een koperlegering.
 *5 Let erop dat u de leiding tijdens het buigen niet plet of knikt.
 *6 Bochten in de koelmiddelleidingen moeten een straal van minstens 100 mm hebben.
 *7 Indien de leiding langer is dan 7 m, moet koelmiddel (R410A) bijgevuld worden. (Als de leiding korter is dan 7 m, dan hoeft geen koelmiddel worden bijgevuld.)
 Extra koelstof = A × (leidinglengte (m) - 7)

- *8 Isolatiemateriaal: Hittebestendig schuimplastic met 0,045 specifieke dichtheid
 *9 Zorg ervoor dat u isolatie van de voorgeschreven dikte gebruikt. Te dikke isolatie kan leiden tot onjuiste installatie van de binnenunit en te dunne isolatie kan het druppen van condens veroorzaken.

1-4. INSTALLATIESCHEMA



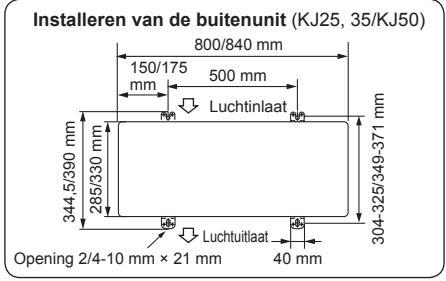
Gebruik beslist huls (C) in het muurgat, om te voorkomen dat de aansluitdraden naar binnen/buiten (A) contact maken met metalen delen in de muur en dat ongedierte schade veroorzaakt indien de muur hol is.

Huls voor muurgat (C)
 Afdekking voor muurgat (D)
 Dicht het gat in de muur af met kit (H).
 Bevestig de leiding aan de muur met bevestigingsbandjes (E).
 Bevestigingsbandje voor leiding (E)
 Bevestigingsschroef (F)

Snijd extra lengte af.

Plaats na de lekttest het isolatiemateriaal zodanig strak dat er geen gat meer aanwezig is.

Wanneer u de leidingen wilt bevestigen aan een muur die metaal (zoals tinnen bekleding) of metalen gaas bevat, plaats dan een chemisch behandelde houten plaat van minstens 20 mm dikte tussen muur en leidingen, of omwikkel de leidingen 7 tot 8 keer met isolatietape. Zorg dat de unit minimaal 30 minuten heeft gekoeld en is leeggempot voordat u de oude airconditioner verwijderd. Pas de maat van de otoprompverbindingen aan aan die van de nieuwe koelstof.



Afvoervoorzieningen voor buitenunit <Alleen type VE>

- Breng de afvoervoorzieningen aan voordat u de verbindingleiding tussen binnen- en buitenunit aansluit.
- Sluit de afvoerslang (I) met een binnendiameter van 15 mm aan zoals wordt afgebeeld.
- Zorg dat de afvoer omlaag loopt, zodat het afvoeren gemakkelijk gaat.

Opmerking:
 Installeer de unit horizontaal. Gebruik op koude locaties geen afvoerbus (14). De afvoer kan dan bevriezen waardoor de ventilator stopt. Tijdens het verwarmen produceert de buitenunit condens. Selecteer de plaats van installatie om te voorkomen dat de buitenunit en/of de vloeren nat worden door afvoerwater of beschadigd raken door bevroren afvoerwater.

ACCESSOIRES

Controleer de volgende onderdelen voordat u begint met de installatie.

(1) Afvoerslang*	1
(2) Houder voor afstandbediening	1
(3) Schroef voor het vastzetten van (2) 3,5 × 16 mm (zwart)	2
(4) Pijpafdekking	1
(5) Band	2
(6) Batterij (AAA) voor (12)	2
(7) Montagebeugel voor binnenunit	1
(8) Bevestigingsschroef voor (7) 4 × 25 mm	5
(9) Houtschroef voor bevestiging van de binnenunit	4
(10) Ring van (9)	4
(11) Vilttape (voor de pijpen links of linksachter)	1
(12) Draadloze afstandsbediening	1
(13) LuchtfILTER	2

*** Opmerking:**

De afvoerslang wordt aangesloten op de unit. <Buitenunit>

(14) Afvoerbus (alleen type VE)	1
---------------------------------	---

BIJ DE INSTALLATEUR VERKRIJGBARE ONDERDELEN

(A) Verbindingskabel binnen- en buitenunit*	1
(B) Verlengleiding	1
(C) Huls voor muurgat	1
(D) Afdekking voor muurgat	1
(E) Bevestigingsbandje voor leiding	2 - 5
(F) Bevestigingsschroef voor (E) 4 × 20 mm	2 - 5
(G) Leidingtape	1
(H) Kit	1
(I) Afvoerslang (of zachte PVC-slang met 15 mm binnendiameter of harde PVC-pijp VP16)	1 of 2
(J) Koelolie	1
(K) Netsnoer*	1

*** Opmerking:**

Zorg dat u de verbindingskabel binnen- en buitenunit (A) en het netsnoer (K) op ten minste 1 meter afstand van de tv-antennekabel installeert.

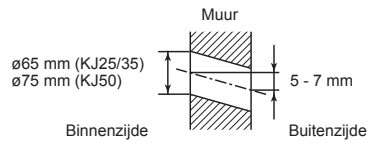
2. INSTALLEREN VAN DE BINNENUNIT

2-1. VASTZETTEN VAN MONTAGEBEUGEL VAN BINNENUNIT

- Zoek een stevige plaats van de muur (bijvoorbeeld een steunbalk) en zet de montagebeugel (7) met de bevestigingsschroeven (8) horizontaal vast.
- Om te voorkomen dat de beugel (7) gaat trillen, moet u de bevestigingsschroeven in de op de afbeelding aangegeven openingen installeren. U kunt extra ondersteuning aanbrengen door ook bevestigingsschroeven in andere openingen te installeren.

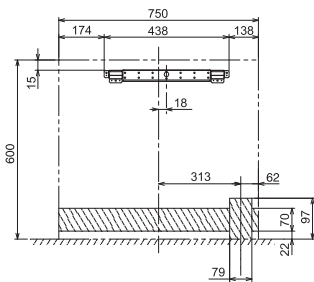
2-2. GATEN BOREN

- 1) Bepaal de positie van de gaten.
- 2) Boor een gat met een diameter van 65 mm (diameter 75 mm voor KJ50). De buitenzijde moet 5 tot 7 mm lager zijn dan de binnenzijde.
- 3) Plaats de huls voor het muurgat (C).

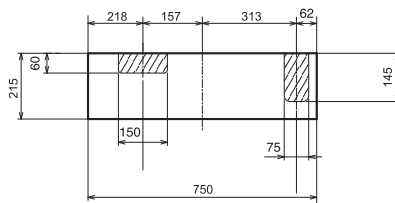


STAND VAN GATEN

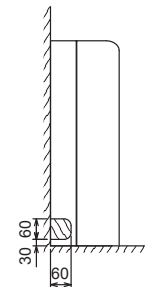
PIJPEN ACHTER OF LINKSACHTER
(De volgende afbeelding is een voor-aanzicht van de installatieplaats van de binnenuit.)



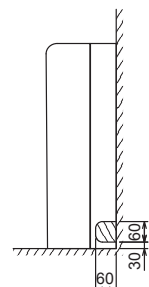
VOOR PIJPEN RECHTS NAAR BENEDEN OF LINKS NAAR BENEDEN
(In de volgende afbeelding wordt de bodem van de binnenuit van bovenaf weergegeven.)



VOOR PIJPEN AAN DE LINKERZIJDE



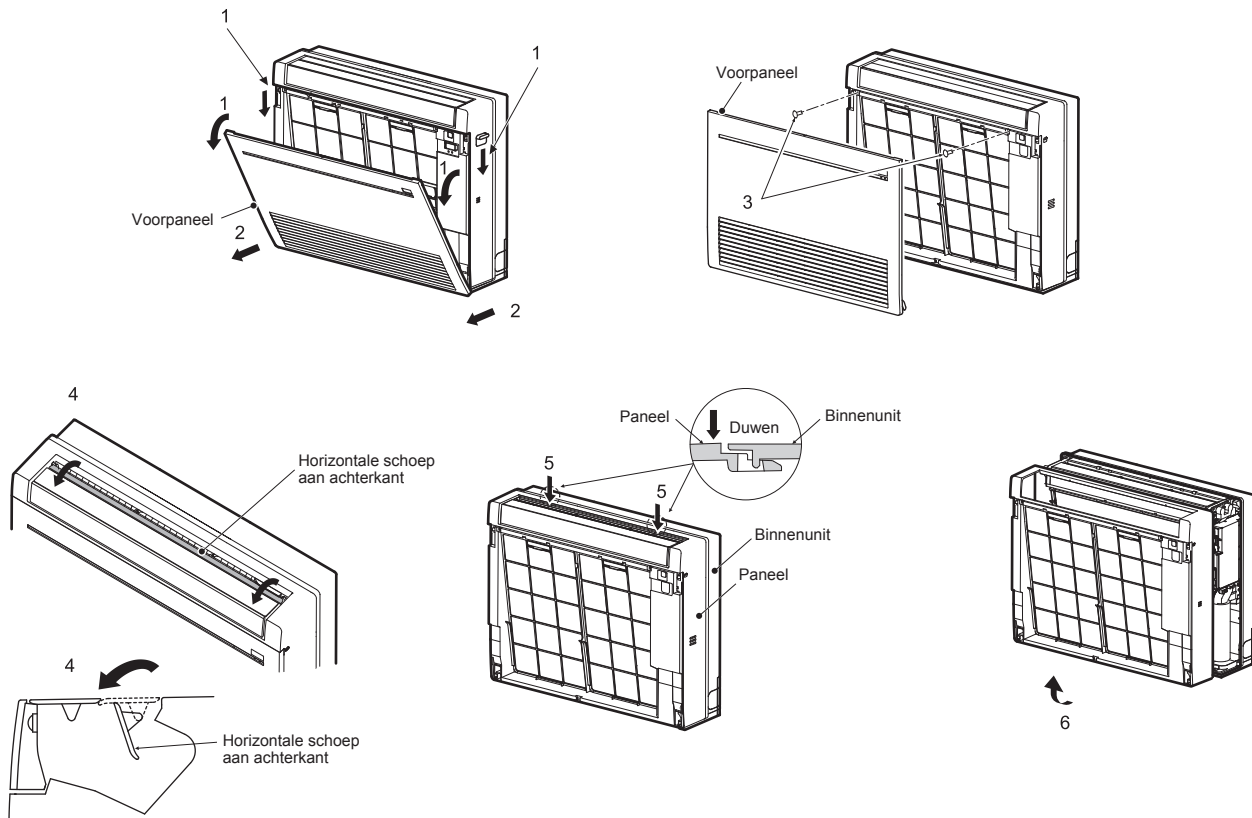
VOOR PIJPEN AAN DE RECHTERZIJDE



2-3. VOORBEREIDEN VAN DE BINNENUNIT

Verwijder het voorpaneel van de binnenuit.

- 1) Druk de lipjes aan beide kanten van het apparaat omlaag om het voorpaneel te openen.
- 2) Trek het voorpaneel naar u toe om het te verwijderen.
- 3) Verwijder de twee schroeven.
- 4) Open de horizontale schoep aan de achterkant.
- 5) Duw tegen de 2 locaties op de bovenkant van het paneel en trek vervolgens het bovenste deel van het paneel naar u toe.
- 6) Verwijder het paneel terwijl u het iets optilt.



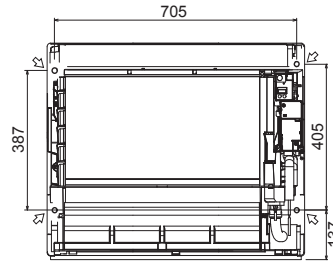
2-4. INSTALLATIE VAN HET BINNENAPPARAAT

2-4-1. BINNENUNIT OP DE VLOER INSTALLEREN

1. Plaats de binnenunit op de vlakke vloer.
2. Maak met de meegeleverde houtschroeven (9) en sluitringen (10) de binnenunit op 4 punten vast. Draai de schroeven stevig vast.

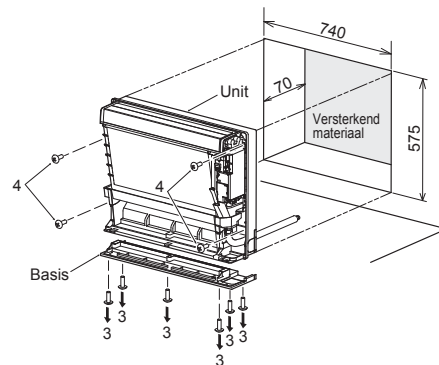
2-4-2. BINNENUNIT OP MUUR MONTEREN

1. Haak de bovenkant van de binnenunit aan de montagebeugel (7).
2. Maak met de meegeleverde houtschroeven (9) en sluitringen (10) de binnenunit op 4 punten vast. Draai de schroeven stevig vast.



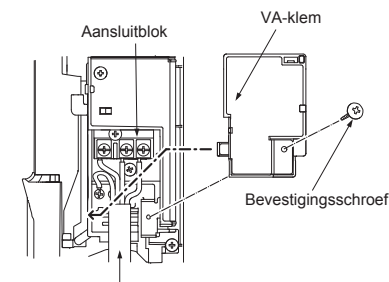
2-4-3. DE BINNENUNIT IN EEN WAND INBOUWEN

1. Maak een gat in de muur.
2. Pas met behulp van versterkend materiaal de diepte aan.
3. Verwijder de 6 schroeven waarmee de basis aan de unit is vastgemaakt. Verwijder de basis van de unit.
4. Maak met de meegeleverde houtschroeven (9) en sluitringen (10) de binnenunit op 4 punten vast. Draai de schroeven stevig vast.

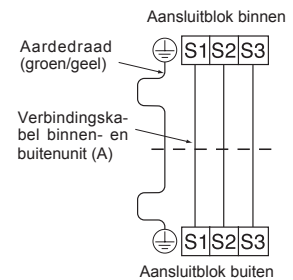
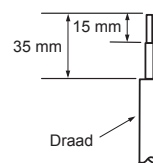


2-5. DRADEN VOOR BINNENUNIT VERBINDEN

- 1) Verwijder de VA-klem.
- 2) Leid de verbindingkabel tussen binnen- en buitenunit (A) door de achterkant van de binnenunit en sluit het uiteinde ervan aan.
- 3) Draai de aansluitingsschroef los en sluit vervolgens eerst de aardedraad en vervolgens de verbindingkabel (A) tussen binnen- en buitenunit aan op het aansluitblok. Let op dat u de draden niet verkeerd aansluit. Maak de draad stevig vast op het aansluitblok zodat de draadkern niet zichtbaar is en er geen externe krachten op het aansluitgedeelte van het aansluitblok worden uitgeoefend.
- 4) Draai de aansluitingsschroeven goed vast zodat ze niet losraken. Trek na het vastdraaien even licht aan de draden om te controleren of ze goed vast zitten.
- 5) Zet de verbindingkabel (A) tussen de binnen- en buitenunit en de aardedraad vast met de VA-klem. Vergeet nooit het linker lipje van de VA-klem vast te haken. Maak de VA-klem stevig vast.



Verbindingkabel (A) tussen binnen- en buitenunits



- Maak de aardedraad iets langer dan de andere draden. (langer dan 45 mm)
- Zorg dat de verbindingkabels wat extra lengte hebben voor later onderhoud.
- Vouw de overtollige bedrading niet, of prop de bedrading niet in kleine ruimtes. Zorg ervoor dat u de bedrading niet beschadigt.
- Let erop dat u elke schroef op de bijbehorende aansluiting bevestigt bij het vastmaken van het snoer en/of de kabel aan het aansluitblok.

2-6. LEIDINGEN PLAATSEN EN INSTALLEREN

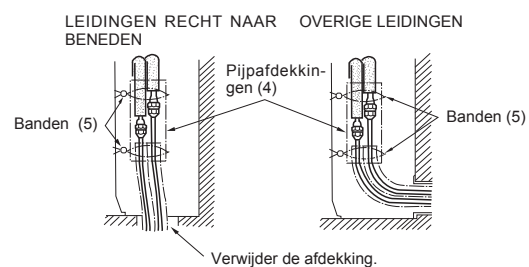
Leidingen plaatsen

- Leid de afvoerslang diagonaal onder de verbindingspijpen door.
- Let erop dat de afvoerslang niet omhoog loopt en dat de slang geen golven vertoont.
- Trek niet aan de afvoerslang, en doe er vervolgens tape omheen.
- Leid de pijpen zo dat deze niet voorbij de achterkant van de binnenunit uitsteken. (Zie de afbeelding rechts.)

Aanbrengen van de pijpen

- Breng de verbindingspijpen zo aan, dat de pijpen enigszins naar voren, achteren, links en rechts kunnen bewegen.

- Vergeet niet de leidingen te isoleren zodat ze geen contact maken met het paneel.
- Let er bij het buigen op, dat de pijpen niet in elkaar worden gedrukt.

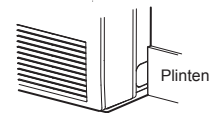
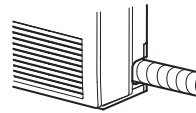


VOOR PIJPEN LINKS OF LINKSACHTER

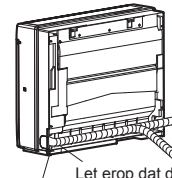
Maak een bundel van de verbindingspijpen en de afvoerslang en wikkel ze vervolgens in vilttape (11).

Maak aan de linker- en rechterzijde van de binnenunit een inkeping in de onderste zijpanelen, zoals onderstaand weergegeven.
Maak de insnijdingen in de zijpanelen glad, zodat deze de isolatielaag niet zullen beschadigen.

- Voor pijpen links of rechts
- Plaats de unit vlak tegen een wand met plinten



Snij de onderste delen van de zijpanelen weg als uitsparingen voor de plinten.



Begin met het omwikkelen met tape (G) op 10 mm binnen de binnenunit.

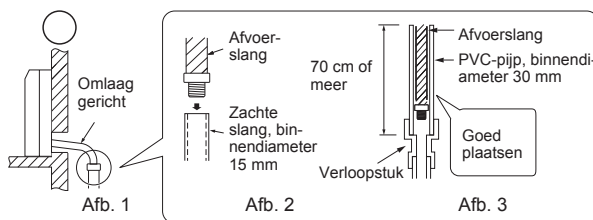
Maak het uiteinde van de viittape (11) met een bandstop vast.

Viittape (11)
Let erop dat de afvoerslang niet omhoog mag lopen.

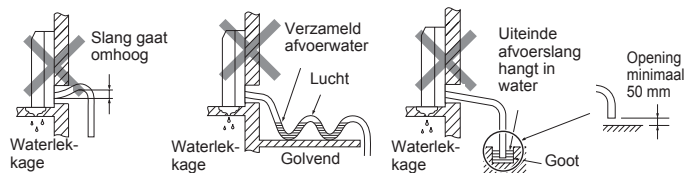
Wikkel de vilttape (11) strak rond de pijpen en de slang. Begin vanaf het punt waar de pijpen en de slang de binnenunit verlaten. (De breedte van de overlapping van de vilttape (11) mag niet meer dan 1/2 van de breedte van de tape bedragen.)

2-7. AFVOERPIJPEN

- Als de verlengde afvoerslang door een ruimte heen gelegd wordt, omwikkel hem dan met in de handel verkrijgbaar isolatiemateriaal.
- De afvoerslang dient voor een goede afvoer omlaag gericht te zijn. (Afb. 1)
- Als de afvoerslang die met de binnenunit is meegeleverd, te kort is, verbind deze dan met afvoerslang (I) die bij de installateur verkrijgbaar is. (Afb. 2)
- Wanneer u de afvoerslang aansluit op de PVC-pijp, moet u de slang goed in de pijp plaatsen. (Afb. 3)

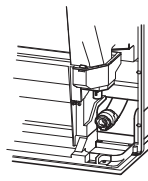


Leg de afvoervoorzieningen niet aan zoals hieronder is afgebeeld.

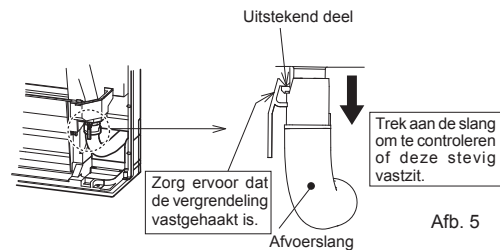


De afvoerslang wordt verwijderd bij de installatie.

- Bij het aanleggen van de afvoerpijpen dient u afvoerslang (1) te laten lopen zoals weergegeven. (Afb. 4)
- Plaats de afvoerslang geheel in de basis van het afvoervat (eindverbinding). (Afb. 5)
Zorg dat de vergrendeling van de afvoerslang stevig vastzit aan het uitstekende deel van het slanghulpstuk van het afvoervat.
- Trek aan de afvoerslang nadat u deze hebt aangesloten op het afvoervat, om te controleren of de slang stevig vastzit.



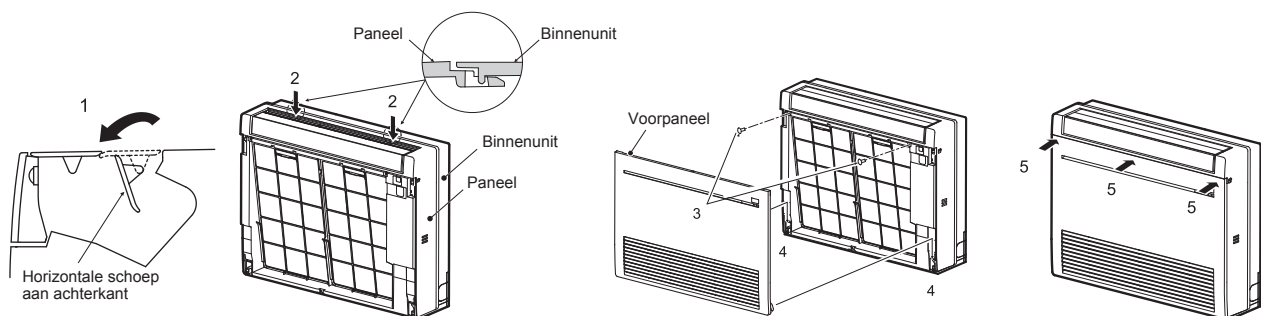
Afb. 4



Afb. 5

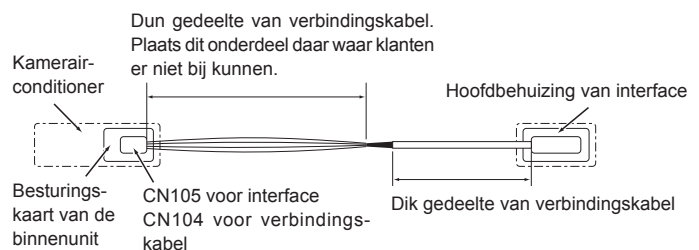
2-8. AANBRENGEN VAN HET VOORPANEEL

- 1) Open de horizontale schoep aan de achterkant.
- 2) Bevestig het paneel. Zorg ervoor dat de vergrendelingen vastgehaakt zijn.
- 3) Maak het paneel met schroeven vast.
- 4) Plaats de onderkant van het voorpaneel.
- 5) Duw tegen de 3 locaties op de bovenkant van het voorpaneel om het voorpaneel te sluiten.



2-9. EEN INTERFACE (optie)/VERBINDINGSKABEL (optie) OP DE AIRCONDITIONER AANSLUITEN

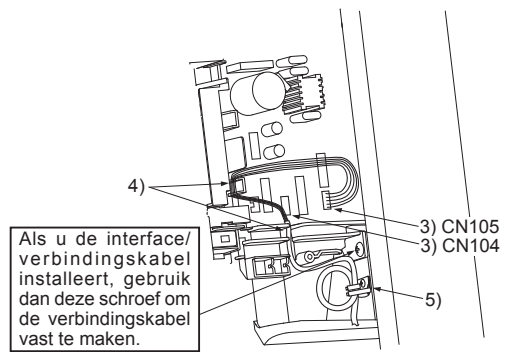
- Sluit een interface/verbindingskabel aan op de besturingskaart van een airconditioner met een verbindingskabel.
- Als u de verbindingskabel van een interface/verbindingskabel doormidden snijdt of verlengt, heeft dit een negatieve invloed op de verbinding. Bundel de verbindingskabel niet samen met het netsnoer, de verbindingskabel van de binnen-/buitenunit en/of de aarddraad. Zorg voor zo veel afstand als mogelijk is tussen de verbindingskabel en die draden.
- Het dunne gedeelte van de verbindingskabel moet op een plaats worden opgeslagen en geplaatst waar klanten er niet bij kunnen.



- 1) Verwijder het paneel.
- 2) Open het deksel van de besturingskaart van de binnenunit.
- 3) Sluit de verbindingkabel aan op CN105 en/of CN104 op de besturingskaart van de binnenunit.
- 4) Voer de verbindingkabel door dit punt in de afbeelding.
- 5) Bevestig met een schroef (4×16) de bij de interface/verbindingkabel meegeleverde kabelklem op het dikke gedeelte van de verbindingkabel zoals wordt afgebeeld.
- 6) Sluit het deksel van de besturingskaart van de binnenunit. Zorg er daarbij voor dat het dunne gedeelte van de verbindingkabel niet onder het deksel vastgeklemd komt te zitten. Monteer het paneel opnieuw.

WAARSCHUWING

Maak de verbindingkabel op de voorgeschreven positie goed vast. Als u de verbindingkabel niet correct aansluit, kan dit een elektrische schok, brand en/of storingen veroorzaken.

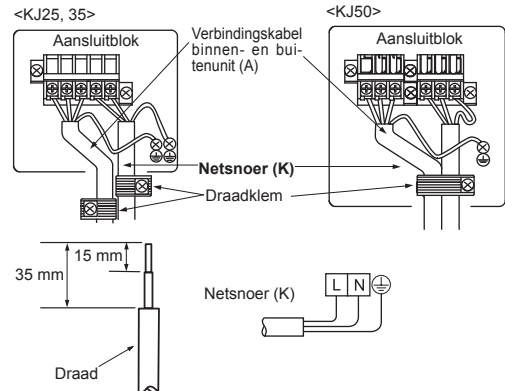


3. INSTALLEREN VAN DE BUITENUNIT

3-1. DRADEN VOOR BUITENUNIT VERBINDEN

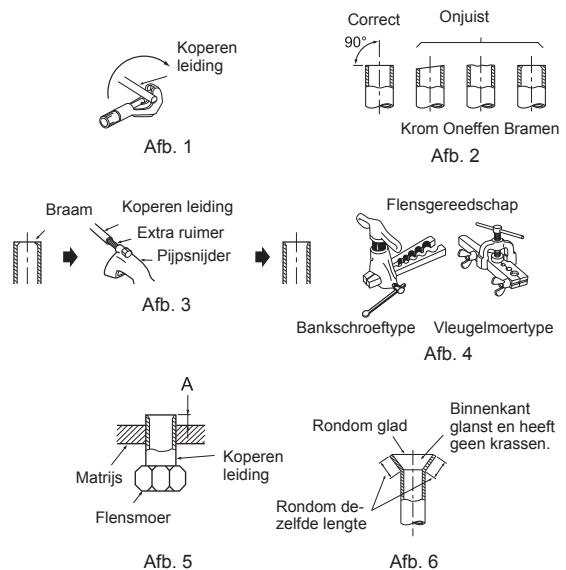
- 1) Open het onderhoudspaneel.
- 2) Draai de aansluitingsschroef los en sluit verbindingkabel (A) tussen binnen- en buitenunit vanaf de binnenunit correct aan op het aansluitblok. Let op dat u de draden niet verkeerd aansluit. Maak de draad stevig vast op het aansluitblok zodat de draadkern niet zichtbaar is en er geen externe krachten op het aansluitgedeelte van het aansluitblok worden uitgeoefend.
- 3) Draai de aansluitingsschroeven goed vast zodat ze niet losraken. Trek na het vastdraaien even licht aan de draden om te controleren of ze goed vast zitten.
- 4) Sluit het netsnoer (K) aan.
- 5) Zet de verbindingkabel (A) tussen binnen- en buitenunit en het netsnoer (K) vast met de draadklem.
- 6) Sluit het onderhoudspaneel zorgvuldig.

- Maak de aarddraad iets langer dan de andere draden. (langer dan 100 mm)
- Zorg dat de verbindingkabels wat extra lengte hebben voor later onderhoud.
- Let erop dat u elke schroef op de bijbehorende aansluiting bevestigt bij het vastmaken van het snoer en/of de kabel aan het aansluitblok.



3-2. AFDICHTING

- 1) Snijd de koperen leiding op de juiste wijze af met een pijsnijder. (Afb. 1, 2)
- 2) Verwijder alle bramen van het gedeelte waar de leiding is afgesneden. (Afb. 3)
 - Houd het uiteinde van de koperen leiding omlaag terwijl u de bramen verwijdert, zodat de bramen niet in de leiding kunnen vallen.
- 3) Verwijder de flensmoeren die op de binnen- en buitenunit zijn bevestigd, en schuif ze op de ontbraamde leiding. (Ze zijn niet meer te plaatsen nadat de afdichting gemaakt is.)
- 4) Afdichting (Afb. 4, 5). Draai de koperen leiding volgens de in de tabel getoonde waarden stevig vast. Selecteer A mm uit de tabel volgens het gereedschap dat u gebruikt.
- 5) Controleer
 - Vergelijk de gemaakte afdichtflens met Afb. 6.
 - Als de afdichtflens niet juist lijkt te zijn, snijd dan het flensgedeelte van de leiding af en maak de afdichting opnieuw.



Diameter leiding (mm)	Moer (mm)	A (mm)			Aanhaalkoppel	
		Koppelingsgereedschap voor R410A	Koppelingsgereedschap voor R22	Vleugelmoer-gereedschap voor R22	N·m	kgf·cm
ø6,35 (1/4")	17	0 - 0,5	1,0 - 1,5	1,5 - 2,0	13,7 - 17,7	140 - 180
ø9,52 (3/8")	22			2,0 - 2,5	34,3 - 41,2	350 - 420
ø12,7 (1/2")	26			49,0 - 56,4	500 - 575	
ø15,88 (5/8")	29			73,5 - 78,4	750 - 800	

3-3. DE LEIDINGEN AANSLUITEN

- Bevestig flensmoeren met een momentsleutel zoals voorgeschreven in de tabel.
- Indien u een flensmoer te strak aandraait, kan deze na verloop van tijd breken en koelmiddellekkage veroorzaken.
- Isoleer de leidingen met isolatiemateriaal. Direct contact met de onbedekte leidingen kan leiden tot brandwonden of bevriezing.

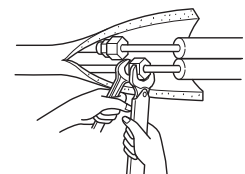
De binnenunit aansluiten

Verbind zowel de vloeistof- als de gasleiding met de binnenunit.

- Breng een dunne laag koelolie (J) aan op de flensuiteinden van de leidingen. Breng geen koelolie aan op de schroefdraden. Een te groot aanhaalkoppel zal de schroef beschadigen.
- Houd de leiding midden op zijn plaats en draai de flensmoer 3 tot 4 slagen aan.
- Pas het aanhaalkoppel in bovenstaande tabel toe voor de aansluiting op de pijpverbindingen van de binnenunit, en gebruik bij het vastdraaien twee sleutels. Te strak aandraaien beschadigt de afdichtflens.

De buitenunit aansluiten

- Verbind de leidingen met de afsluitkraan van de buitenunit op dezelfde manier als bij de binnenunit.
- Gebruik voor het vastdraaien een momentsleutel of steeksleutel en pas hetzelfde aanhaalkoppel toe als voor de binnenunit.



3-4. ISOLATIE EN TAPE

- 1) Bedek de leidingverbindingen met afdekkingen voor leidingen.
- 2) Isoleer bestialle leidingen die buiten lopen, inclusief de kranen.
- 3) Omwikkel de verbindingleiding met leidingtape (G), te beginnen bij de ingang van de buitenunit.
 - Zet het einde van de leidingtape (G) vast met tape (voorzien van plakmiddel).
 - Wanneer leidingen boven het plafond, door een kast of via andere warme en vochtige plaatsen komen te lopen, wikkel er dan extra in de handel verkrijgbare isolatie omheen om condensatie te voorkomen.

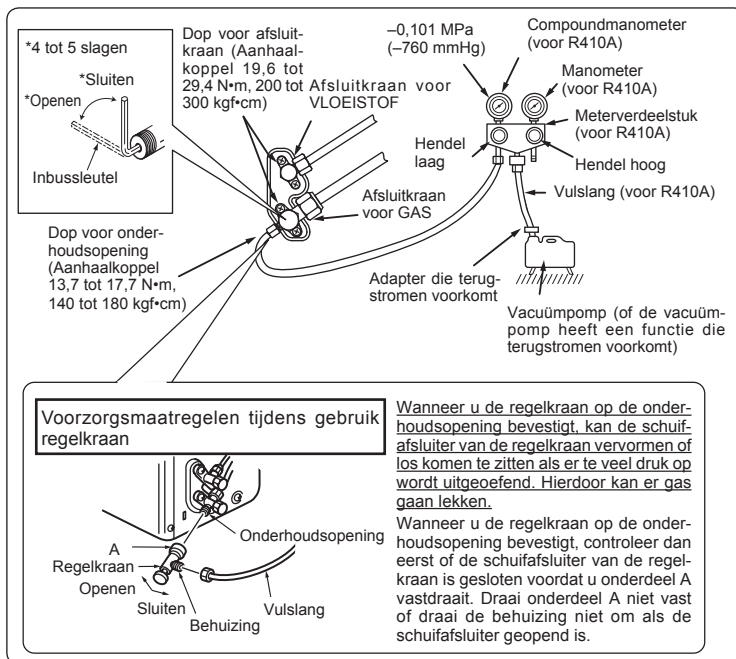
WAARSCHUWING

Als u het apparaat installeert, zet de koelmiddelleidingen dan stevig vast voordat u de compressor start.

4. REINIGINGSPROCEDURES, LEKTESTS EN PROEFDRAAIEN

4-1. REINIGINGSPROCEDURES EN LEKTEST

- 1) Verwijder de dop van de onderhoudsopening in de afsluitkraan van de gasleiding aan de buitenunit. (De afsluitkranen zijn in eerste instantie geheel gesloten en met de dop erop.)
- 2) Sluit het meterverdeelstuk en de vacuumpomp aan op de onderhoudsopening van de afsluitkraan in de gasleiding aan de buitenunit.
- 3) Start de vacuumpomp. (Trek vacuüm gedurende meer dan 15 minuten.)
- 4) Controleer het vacuüm met het meterverdeelstuk. Sluit vervolgens het meterverdeelstuk en stop de vacuumpomp.
- 5) Wacht één tot twee minuten. Controleer of de wijzer van het meterverdeelstuk in dezelfde stand blijft staan. Controleer of de manometer inderdaad $-0,101$ MPa [Meter] (-760 mmHg) aangeeft.
- 6) Verwijder het meterverdeelstuk snel van de onderhoudsopening van de afsluitkraan.
- 7) Wanneer de koelmiddelleidingen zijn aangesloten en ontluicht, open dan alle afsluitkranen aan beide kanten van de vloeistof- en gasleiding volledig. Als de airconditioner werkt met deels gesloten kranen, functioneert hij slechter en ontstaan er problemen.
- 8) Zie 1-3. en vul indien nodig de voorgeschreven hoeveelheid koelmiddel bij. Vul het vloeibare koelmiddel langzaam bij. Als u dit niet doet, kan de samenstelling van het koelmiddel in het systeem veranderen waardoor de airconditioner slechter kan gaan werken.
- 9) Plaats de dop weer op de onderhoudsopening om de oorspronkelijke situatie te herstellen.
- 10) Lektest



4-2. PROEFDRAAIEN

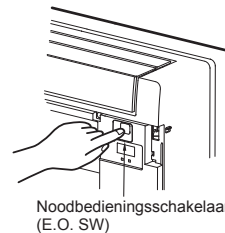
Zorg ervoor dat eerst aan de volgende voorwaarden is voldaan.

- Paneel is correct geïnstalleerd.
 - Binnen- en buitenunits zijn correct geïnstalleerd en de voeding is ingeschakeld.
- 1) Druk een keer op de noodbedieningsschakelaar voor koelen COOL, en twee keer voor verwarmen HEAT. Het proefdraaien duurt 30 minuten. Indien het linker lampje van de bedieningsindicator om de 0,5 seconde knippert, controleer dan of de verbindingkabel tussen binnen- en buitenunit (A) goed aangesloten is. Na het proefdraaien wordt de noodwerking gestart (ingestelde temperatuur 24°C).
 - 2) Druk om de bediening te stoppen de E.O. SW meerdere keren in totdat alle LED-lampjes zijn gedoofd. Zie de bedieningshandleiding voor details.

Controleren of de afstandsbediening werkt

Druk op de toets ON/OFF (aan/uit) van de afstandsbediening (12) en controleer of u een elektronische pieptoon van de binnenunit hoort. Druk nogmaals op de toets ON/OFF (aan/uit) om de airconditioner uit te zetten.

- Als de compressor tot stilstand komt, kan deze ter bescherming van de airconditioner de eerste 3 minuten daarna niet opnieuw gestart worden.



4-3. FUNCTIE VOOR AUTOMATISCH HERSTARTEN

Dit product is uitgerust met een functie voor automatisch herstarten. Als tijdens de bediening de stroom uitvalt, zoals tijdens stroomstoringen, zorgt de functie er na herstel van de stroomtoevoer automatisch voor dat de unit in de vorige bedieningsstand wordt opgestart. (Zie de bedieningshandleiding voor details.)

Waarschuwing:

- Zet de unit na het proefdraaien of de controle van de werking van de afstandsbediening uit met de E.O. SW of de afstandsbediening voordat u de voeding uitschakelt. Als u dit niet doet, dan start de unit automatisch op wanneer de voeding weer wordt ingeschakeld.

Voor de gebruiker

- Zorg ervoor dat de gebruiker na de installatie van de unit het automatisch herstarten krijgt uitgelegd.
- Als de functie voor het automatisch herstarten niet nodig is, dan kan deze worden gedeactiveerd. Neem contact op met de onderhoudsdienst voor het deactiveren van de functie. Zie de onderhoudshandleiding voor details.

4-4. UITLEG AAN DE GEBRUIKER

- Leg de gebruiker met de OPERATING INSTRUCTIONS (bedieningshandleiding) uit hoe de airconditioner werkt (gebruik van de afstandsbediening, verwijderen van de luchtfilters, verwijderen of plaatsen van de afstandsbediening in de houder, reinigen, voorzorgsmaatregelen tijdens bediening, enz.)
- Raad de gebruiker aan om de BEDIENINGSHANDLEIDING zorgvuldig door te lezen.

5. LEEGPOMPEN

Bij verplaatsen of verwijderen van de airconditioner dient het systeem volgens de onderstaande procedure te worden leeggepompt, zodat geen koelmiddel in de atmosfeer terecht kan komen.

- 1) Sluit het meetverdeelsstuk aan op de onderhoudsopening van de afsluitkraan in de gasleiding aan de buitenunit.
- 2) Draai de afsluitkraan in de vloeistofleiding aan de buitenunit volledig dicht.
- 3) Draai de afsluitkraan in de gasleiding aan de buitenunit bijna geheel dicht, zodat deze gemakkelijk volledig te sluiten is wanneer de manometer 0 MPa [Meter] (0 kgf/cm²) aangeeft.
- 4) Schakel de noodwerking voor KOELEN (COOL) in. Als u de noodwerking voor KOELEN (COOL) wilt inschakelen, maakt u de netsnoerstekker los en/of schakelt u de netschakelaar uit. Sluit na 15 seconden de netsnoerstekker weer aan en/of schakel de netschakelaar weer in. Druk vervolgens eenmaal op de E.O. SW (noodbedieningsschakelaar). (De airconditioner kan gedurende 30 minuten zonder onderbreking in de noodwerking voor KOELEN (COOL) blijven werken.)
- 5) Draai de afsluitkraan in de gasleiding van de buitenunit volledig dicht zodra de manometer $0,05$ tot 0 MPa [Gauge] aangeeft (ongeveer $0,5$ tot 0 kgf/cm²).
- 6) Schakel de noodwerking voor KOELEN (COOL) uit. Druk tweemaal op de E.O. SW (noodbedieningsschakelaar) om de noodwerking te stoppen.

⚠ WAARSCHUWING

Als u het koelmiddel uit het apparaat pompt, zet de compressor dan stop voordat u de koelmiddelleidingen losmaakt. De compressor kan barsten als er lucht etc. in komt.

ÍNDICE

1. ANTES DE LA INSTALACIÓN 1
 2. INSTALACIÓN DE LA UNIDAD INTERIOR 3
 3. INSTALACIÓN DE LA UNIDAD EXTERIOR 6
 4. PROCEDIMIENTOS DE PURGADO, PRUEBA DE FUGAS Y FUNCIONAMIENTO DE PRUEBA 7
 5. BOMBEO DE VACIADO 7

Los nombres de los modelos se indican en 1-3.

Herramientas necesarias para la instalación

Destornillador Phillips	Llave hexagonal de 4 mm
Nivel	Abocardador para R410A
Báscula	Válvula colectora de manómetro para R410A
Cuchilla o tijeras	Bomba de vacío para R410A
Sierra cilíndrica de clase 25, 35 de 65 mm/clase 50 de 75 mm	Manguera de carga para R410A
Llave dinamométrica	Cortador de tuberías con escariador
Llave (o llave de tuercas)	

1. ANTES DE LA INSTALACIÓN

1-1. POR RAZONES DE SEGURIDAD, DEBERÁ OBSERVARSE SIEMPRE LO SIGUIENTE

- Antes de instalar el acondicionador de aire, lea atentamente el apartado "POR RAZONES DE SEGURIDAD, DEBERÁ OBSERVARSE SIEMPRE LO SIGUIENTE".
- Observe los mensajes de atención y cuidado indicados en él, ya que se refieren a cuestiones de seguridad importantes.
- Cuando haya acabado de leer el manual, no olvide dejarlo junto al MANUAL DE INSTRUCCIONES para su futura referencia.

⚠ ATENCIÓN (Podría causar la muerte, lesiones graves, etc.)

- **El usuario no debe instalar la unidad.**
Una instalación defectuosa podría causar incendios, descargas eléctricas o lesiones debidos a una caída de la unidad o escapes de agua. Para hacer la instalación, consulte al concesionario en el que adquirió esta unidad o a un instalador cualificado.
- **Para efectuar una instalación segura, consulte el manual de instalación.**
Una instalación defectuosa podría causar incendios, descargas eléctricas o lesiones debidos a una caída de la unidad o escapes de agua.
- **Al instalar la unidad, use equipos y herramientas de protección adecuadas para garantizar la seguridad.**
De no hacerlo, podría sufrir daños corporales.
- **Asegúrese de que el lugar de instalación puede aguantar el peso de la unidad.**
Si el lugar de instalación no puede aguantar el peso de la unidad, ésta podría caerse y causar daños.
- **La instalación eléctrica debe realizarla un técnico cualificado y con experiencia, siguiendo el manual de instalación. Asegúrese de emplear un circuito exclusivo. No conecte otros dispositivos eléctricos al circuito.**
Si el circuito de alimentación no tiene suficiente capacidad o la instalación eléctrica es insuficiente, podría producirse un incendio o una descarga eléctrica.
- **Conecte a tierra la unidad.**
No conecte el cable de tierra a una tubería de gas, de agua o al cable de tierra de un teléfono. Una conexión defectuosa podría provocar una descarga eléctrica.
- **Evite dañar los cables aplicando una presión excesiva con las piezas o tornillos.**
El uso de cables dañados podría conllevar lesiones a causa de incendios o descargas eléctricas.
- **Asegúrese de desconectar el conmutador de alimentación general al instalar la placa de circuito impreso o manipular los cables de conexión.**
De no hacerlo, podría provocar una descarga eléctrica.
- **Utilice los cables indicados para instalar de forma segura las unidades interior y exterior y conecte bien los cables en las secciones de conexión del panel de terminales de modo que no queden tensos en dichas secciones. No emplee cables de extensión ni conexiones intermedias.**
Una conexión y fijación defectuosas podrían provocar un incendio.
- **No instale la unidad en un lugar donde haya fugas de gas inflamable.**
Si hay fugas de gas y se acumula en la zona que rodea la unidad, podría producirse una explosión.
- **No emplee conexiones intermedias del cable de alimentación ni tampoco un cable de extensión; evite también conectar demasiados aparatos a una sola toma de CA.**
Esto podría provocar un incendio o una descarga eléctrica a causa de un contacto o un aislamiento defectuoso, un exceso de corriente, etc.
- **Procure utilizar las piezas suministradas o indicadas para efectuar la instalación.**
El empleo de piezas defectuosas podría provocar lesiones o escapes de agua a causa de un incendio, una descarga eléctrica, la caída de la unidad, etc.
- **Al conectar el enchufe de alimentación en la toma, asegúrese de que no hay polvo, obstrucciones o piezas sueltas ni en la toma ni en el enchufe. Asegúrese de que el enchufe de alimentación está completamente insertado en la toma.**
Si hay polvo, obstrucciones o piezas sueltas en el enchufe de alimentación o la toma, podría provocar incendios o descargas eléctricas. Si el enchufe de alimentación presenta piezas sueltas, sustitúyalo.
- **Fije firmemente la cubierta de la instalación eléctrica a la unidad interior y el panel de servicio, a la unidad exterior.**
Si no se fijan con firmeza la cubierta eléctrica de la unidad interior y el panel de servicio de la unidad exterior, podría producirse un incendio o una descarga eléctrica a causa del polvo, el agua, etc.
- **Al instalar, reubicar o reparar la unidad, asegúrese de que en el circuito de refrigeración no entra ninguna otra sustancia que no sea el refrigerante especificado (R410A).**
La presencia de cualquier otra sustancia extraña, como aire por ejemplo, puede provocar una elevación anómala de la presión, una explosión o daños corporales. El uso de un refrigerante distinto al especificado por el sistema ocasionará fallos mecánicos, malfuncionamiento del sistema o averías en la unidad. En el peor de los casos, esto podría llegar a ser un serio impedimento para garantizar el uso seguro del producto.
- **No descargue el refrigerante en el ambiente. Si se producen fugas de refrigerante durante la instalación, ventile la habitación.**
Si el refrigerante entra en contacto con una llama, podría generarse gas nocivo. Las pérdidas de refrigerante pueden causar asfixia. Se debe proporcionar la ventilación determinada en EN378-1.
- **Una vez acabada la instalación, compruebe que no haya fugas de gas refrigerante.**
Si se produjeran pérdidas de gas refrigerante en un interior y entraran en contacto con la llama de un calefactor con ventilador, un calentador, una estufa, etc. se generarían sustancias nocivas.
- **Utilice las herramientas apropiadas y los materiales de conducción adecuados para la instalación.**
La presión del refrigerante R410A es 1,6 veces mayor que la del R22. Si no se utilizan herramientas o materiales apropiados, o si se realiza una instalación defectuosa, las tuberías podrían estallar o sufrir daños.
- **Al bombear el refrigerante, detenga el compresor antes de desconectar las tuberías de refrigerante.**
Si las tuberías de refrigerante se desconectan con el compresor en marcha y la válvula de retención está abierta, podría entrar aire y la presión del ciclo de refrigeración aumentaría de forma anómala. Esto podría hacer que las tuberías estallaran o sufrieran daños.
- **Al instalar la unidad, conecte las tuberías de refrigerante de forma fija antes de poner en marcha el compresor.**
Si el compresor se pone en marcha antes de que las tuberías de refrigerante estén conectadas y la válvula de retención se abra, podría entrar aire y la presión del ciclo de refrigeración aumentaría de forma anómala. Esto podría hacer que las tuberías estallaran o sufrieran daños.
- **Apriete la tuerca abocardada con una llave dinamométrica tal y como se especifica en el presente manual.**
Si la aprieta demasiado, la tuerca abocardada podría romperse transcurrido un tiempo, causando pérdidas de refrigerante.
- **Instale la unidad de acuerdo con la normativa para instalaciones eléctricas.**

⚠ CUIDADO (Podría causar lesiones graves en ciertos entornos si se manipula incorrectamente)

- **Instale un disyuntor de fuga a tierra en función de la zona de instalación.**
Si no se instala este disyuntor, podrían producirse descargas eléctricas.
- **Para efectuar un drenaje y una instalación de tuberías seguros, siga las indicaciones del manual de instalación.**
Un drenaje o una instalación de tuberías defectuosos podría causar un escape de agua en la unidad que mojaría y estropearía los enseres del hogar.
- **No instale la unidad exterior donde puedan vivir animales pequeños.**
Esto podría causar lesiones.
- **No instale la unidad exterior donde puedan vivir animales pequeños.**
Si los animales penetran en la unidad y tocan las piezas eléctricas podrían provocar fallos de funcionamiento, humos o incendios. Además, aconseje a los usuarios que mantengan limpia el área alrededor de la unidad.

1-2. SELECCIÓN DEL LUGAR DE INSTALACIÓN

UNIDAD INTERIOR

- Donde no se obstruya el flujo de aire.
- Donde el aire se pueda propagar por toda la habitación.
- Pared fuerte, sin vibración.
- Donde no esté expuesto a la luz solar directa. Tampoco la deje expuesta a luz solar directa mientras espera para instalarla, después de haberla desembalado.
- Donde pueda drenarse con facilidad.
- A una distancia de 1 m o más del televisor o la radio. El funcionamiento del acondicionador de aire puede interferir con la capacidad de recepción del televisor o la radio. Puede ser necesario conectar el receptor afectado a un amplificador.
- En un lugar lo más alejado posible de fluorescentes o de luces incandescentes (para que el controlador remoto por infrarrojos funcione con normalidad).
- Donde el filtro de aire se pueda extraer y reemplazar con facilidad.

CONTROLADOR REMOTO

- Donde sea fácil de utilizar y de ver.
- Donde los niños no puedan tocarlo.
- Seleccione la posición donde la unidad interior pueda recibir la señal del controlador remoto correctamente. Compruebe que las señales del controlador remoto lleguen correctamente a la unidad interior desde esa posición (sonará un pitido de recepción "pii" o "pii pii"). A continuación, fije el soporte del controlador remoto en la pared e instale el controlador remoto inalámbrico.

Nota:

En habitaciones con fluorescentes de tipo inversor, puede que la señal del controlador remoto inalámbrico no se reciba.

UNIDAD EXTERIOR

- Donde no esté expuesta a un viento fuerte.
- Donde haya un buen flujo de aire sin polvo.
- Donde se pueda evitar todo lo posible la lluvia o la luz directa del sol.
- Donde el ruido o el aire caliente causados por el funcionamiento no moleste a los vecinos.
- Donde haya una pared o un punto de apoyo firme para evitar un mayor ruido o vibración durante el funcionamiento.
- Donde no exista riesgo de fugas de gas combustible.
- Si se instala la unidad en alto, asegúrese de fijar las patas de la unidad.
- Donde esté a una distancia mínima de 3 m de cualquier antena de televisión o radio. En las zonas con mala recepción, el funcionamiento del aparato de aire acondicionado puede provocar interferencias en estos aparatos. Puede ser necesario conectar el receptor afectado a un amplificador.
- Instale la unidad en horizontal.
- Instálela en un área donde no sufra el efecto provocado por una nevada, viento o nieve. En zonas de intensa nieve, le rogamos que instale un toldo, pedestal y/o algunas pantallas acústicas planas.

Nota:

Se recomienda establecer el circuito cerrado de la tubería cerca de la unidad exterior para reducir la vibración que pudiera transmitirse desde ese punto.

Nota:

Si utiliza el acondicionador de aire cuando la temperatura exterior sea baja, observe las instrucciones siguientes.

- No instale nunca la unidad exterior en un lugar en el que el lado de entrada/salida de aire quede expuesto directamente al viento.
- Para evitar la exposición al viento, instale la unidad exterior con el lado de entrada de aire hacia la pared.
- Para evitar la exposición al viento, se recomienda instalar una placa deflectora en el lado de salida de aire de la unidad exterior.
- Para instalar el aparato de aire acondicionado, evite los lugares siguientes donde es más probable que ocurran problemas.
 - Donde pueda haber una fuga de gas inflamable.
 - Donde haya demasiado aceite para maquinaria.
 - Donde pueda haber salpicaduras de aceite o donde impere un ambiente grasiento (como zonas para cocinar y fábricas, donde las partes de plástico se podrían alterar y dañar).
 - En ambientes salobres, como las zonas costeras.
 - Donde haya gas sulfúrico, como en zonas de baños termales.
 - Donde haya algún equipo inalámbrico o de alta frecuencia.
 - Donde haya elevadas emisiones de COV, incluidos compuestos de flato, aldehído fórmico, etc., que puedan causar craqueos.

1-3. ESPECIFICACIONES

Modelo		Alimentación *1			Especificaciones de cables *2		Tamaño de tubería (grosor *3, *4)
Unidad interior	Unidad exterior	Tensión de régimen	Frecuencia	Capacidad del disyuntor	Alimentación (3 almas)	Cable de conexión entre unidad interior/exterior	Gas / Líquido
MFZ-KJ25VE	MUFZ-KJ25VE(HZ)	230 V	50 Hz	10 A	1,0 mm ²	4 almas, 2,0 mm ²	ø9,52 / 6,35 mm (0,8 mm)
MFZ-KJ35VE	MUFZ-KJ35VE			12 A	1,5 mm ²		
MFZ-KJ35VE	MUFZ-KJ35VE(HZ)			16 A	2,0 mm ²		
MFZ-KJ50VE	MUFZ-KJ50VE(HZ)						ø12,7 / 6,35 mm (0,8 mm)

(KJ25, 35/KJ50)

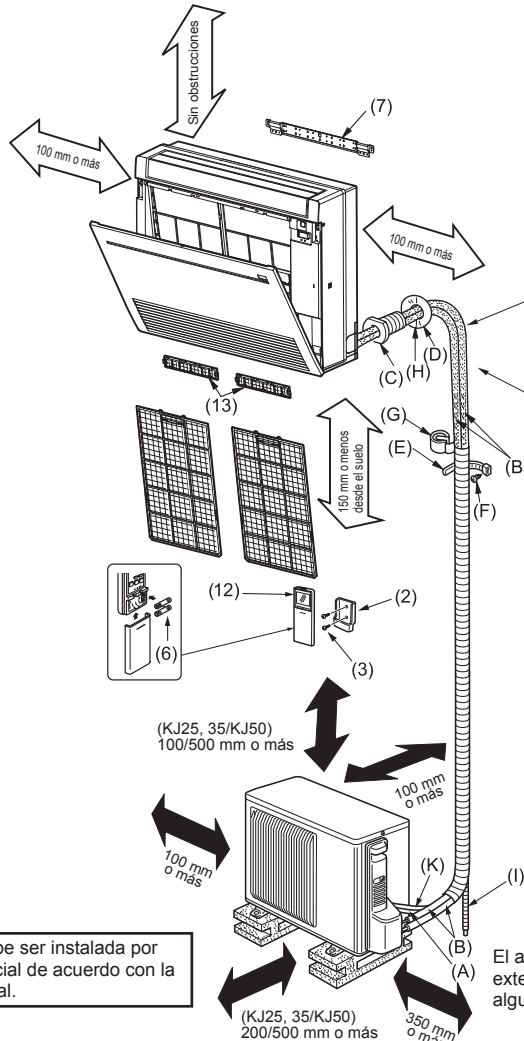
Longitud de tubería y diferencia de altura	
Longitud máx. tubería	20/30 m
Diferencia máx. altura	12/15 m
Número máx. de dobles *5, *6	10
Ajuste de refrigerante A *7	30/20 g/m
Grosor del aislamiento *8, *9	8 mm

*1 Conecte a un interruptor de alimentación que tenga una separación de 3 mm o más cuando se abra para interrumpir la fase de alimentación de la fuente. (Cuando se cierra el interruptor de alimentación, éste debe desconectar todas las fases).
 *2 Utilice cables que se correspondan con el diseño 60245 IEC 57.
 *3 Nunca utilice tuberías de grosor menor que el especificado. La resistencia a la presión sería insuficiente.
 *4 Utilice una tubería de cobre o una tubería de aleación de cobre sin costuras.

*5 Tenga cuidado de no romper o doblar la tubería cuando la flexione.
 *6 El radio de curvatura de la tubería de refrigerante debe ser de 100 mm o más.
 *7 Si la longitud de la tubería es superior a 7 m será necesario emplear más refrigerante (R410A). (Si la longitud de la tubería es inferior a 7 m, no es necesario más refrigerante).
 Refrigerante adicional = A × (longitud de la tubería (m) - 7)

*8 Material aislante: Plástico de espuma termorresistente con un peso específico de 0,045
 *9 Asegúrese de utilizar un aislamiento de grosor especificado. Un grosor excesivo puede alterar la correcta instalación de la unidad interior y un grosor insuficiente puede generar goteo de rocío.

1-4. DIAGRAMA DE INSTALACIÓN

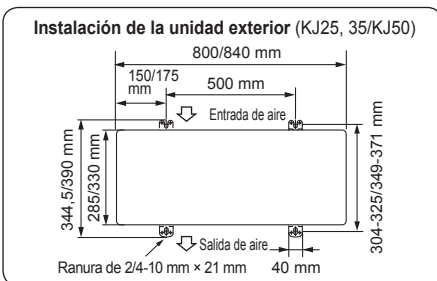


Asegúrese de emplear el manguito del orificio de la pared (C) para impedir que los cables de conexión exteriores/interiores (A) estén en contacto con las piezas metálicas de la pared y evitar que las ratas causen un deterioro en caso de tratarse de paredes huecas.

Manguito del orificio de la pared (C)
 Cubierta del orificio de la pared (D)
 Unidad interior
 Selle el hueco de la pared con masilla (H).
 Fije la tubería a la pared con la banda de fijación de la tubería (E).
 Corte la extensión sobrante.
 Banda de fijación de la tubería (E)
 Tornillo de fijación (F)

Después de la prueba de fugas, aplique material aislante de modo que no queden huecos.

Quando los tubos deban instalarse en una pared con contenido metálico (placas de latón) o rejillas metálicas, ponga un trozo de madera tratada químicamente de 20 mm o más de grosor entre la pared y los tubos o envuelva los tubos con 7 u 8 vueltas de cinta aislante de vinilo. Para utilizar tuberías ya existentes, active el modo COOL (REFRIGERACIÓN) y realice el bombeo de vaciado antes de retirar el acondicionador de aire antiguo. Adapte el abocardado a las dimensiones para el nuevo refrigerante.



La unidad debe ser instalada por el servicio oficial de acuerdo con la normativa local.

El aspecto de la unidad exterior puede variar en algunos modelos.

ACCESORIOS

Antes de la instalación, compruebe las piezas siguientes.

(1)	Manguera de drenaje*	1
(2)	Soporte del controlador remoto	1
(3)	Tornillo de fijación para (2) de 3,5 × 16 mm (Negro)	2
(4)	Recubrimiento del tubo	1
(5)	Banda	2
(6)	Batería (AAA) para (12)	2
(7)	Soporte de montaje de la unidad interior	1
(8)	Tornillo de fijación para (7) 4 × 25 mm	5
(9)	Tirafondo para la fijación de la unidad interior	4
(10)	Arandela para (9)	4
(11)	Cinta de fieltro (para tuberías izquierda o posterior izquierda)	1
(12)	Controlador remoto inalámbrico	1
(13)	Filtro del aire	2

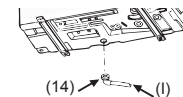
PIEZAS QUE DEBEN SUMINISTRARSE EN LAS INSTALACIONES DEL USUARIO

(A)	Cable de conexión interior/exterior*	1
(B)	Tubería de extensión	1
(C)	Manguito del orificio de la pared	1
(D)	Cubierta del orificio de la pared	1
(E)	Banda de fijación de la tubería	2 - 5
(F)	Tornillo de fijación para (E) 4 × 20 mm	2 - 5
(G)	Cinta para tubería	1
(H)	Masilla	1
(I)	Manguera de drenaje (o PVC blando, manguera de 15 mm de diám. interior o tubo de PVC rígido VP16)	1 ó 2
(J)	Aceite refrigerante	1
(K)	Cable de alimentación*	1

* Nota: Tienda el cable de conexión de la unidad interior/exterior (A) y el cable de alimentación (K) al menos a 1 m de distancia del cable de la antena de televisión.

Tubos de desagüe para la unidad exterior <Sólo tipo VE>

- Disponga los tubos de desagüe antes de proceder a la conexión de los tubos interiores y exteriores.
- Conecte la manguera de drenaje (I) de 15 mm de diámetro interior como se muestra en la ilustración.
- El tubo de desagüe debe tener una pendiente descendente para facilitar el flujo.



Nota: Instale la unidad en horizontal. No utilice tapa de desagüe (14) en regiones frías. El desagüe se puede congelar y provocar la parada del ventilador. La unidad exterior provoca condensación durante la función de calefacción. Seleccione un lugar para la instalación en el que la unidad exterior y las tomas de tierra no se mojen con agua de drenaje ni se dañen debido a la congelación de este agua de drenaje.

(14)	Tapa de desagüe (Sólo tipo VE)	1
------	--------------------------------	---

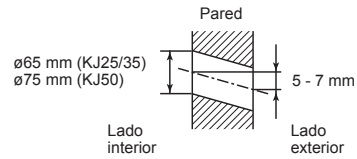
2. INSTALACIÓN DE LA UNIDAD INTERIOR

2-1. FIJACIÓN DEL SOPORTE DE MONTAJE DE LA UNIDAD INTERIOR

- Localice un elemento estructural en la pared (como un pilar) y fije el soporte (7) horizontalmente con tornillos de fijación (8).
- Para evitar que vibre el soporte (7), asegúrese de colocar los tornillos de fijación en los orificios que se indican en la ilustración. Si desea una mayor fijación, puede instalar también tornillos en otros orificios.

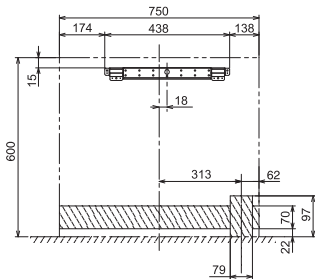
2-2. TALADRADO DE ORIFICIOS

- 1) Determine la posición de los orificios en la pared.
- 2) Taladre un orificio de 65 mm de diámetro (diám. 75 mm para KJ50). El lado exterior debe quedar entre 5 y 7 mm más bajo que el lado interior.
- 3) Inserte el manguito del orificio de la pared (C).

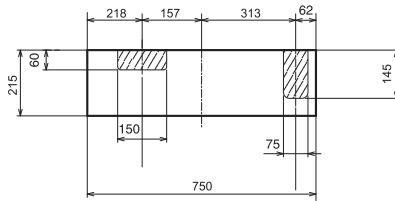


POSICIONES DE LOS ORIFICIOS

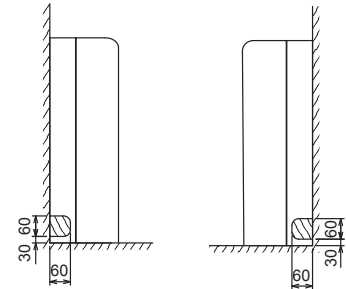
PARA TUBERÍAS POSTERIOR O POSTERIOR IZQUIERDA
(La siguiente figura es una vista frontal de la situación de instalación de la unidad interior.)



PARA TUBERÍAS DERECHA O IZQUIERDA HACIA ABAJO
(La siguiente figura es una vista desde arriba de la base de la unidad interior.)



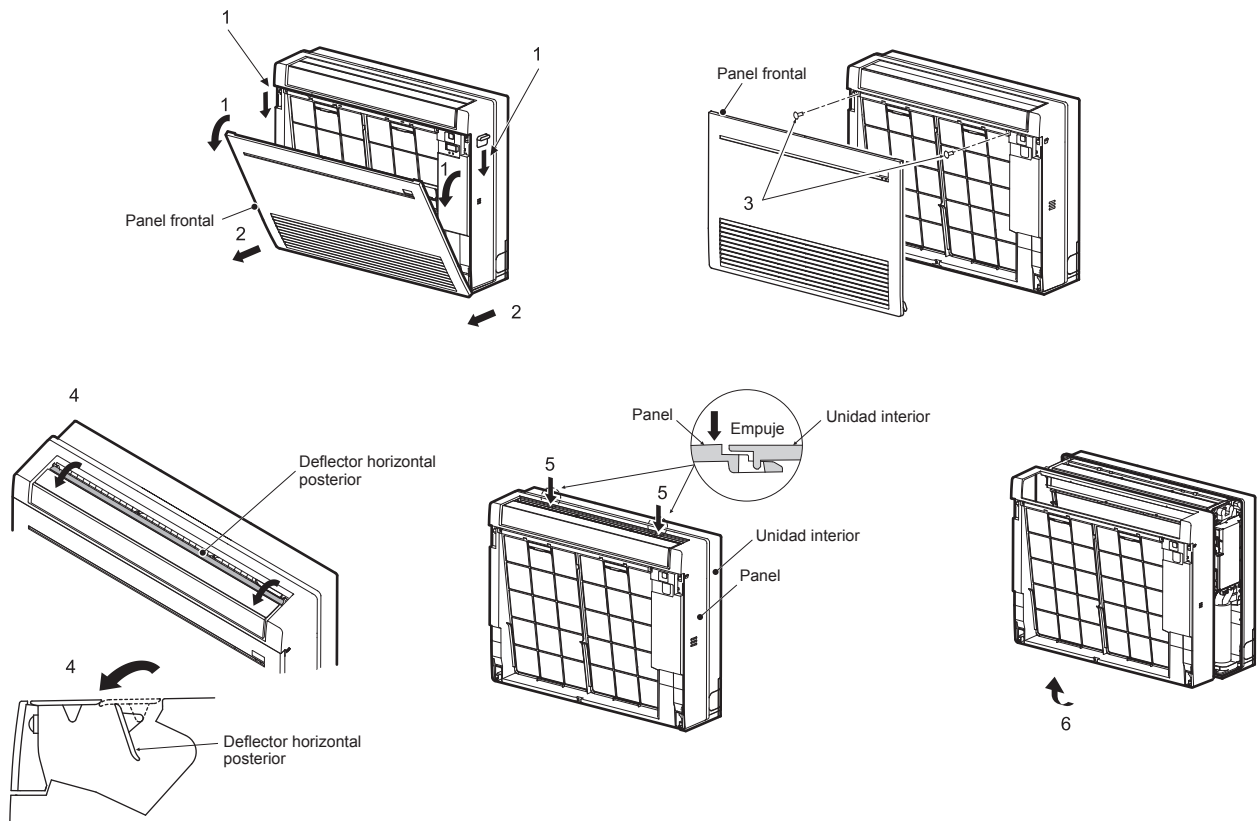
TUBERÍA IZQUIERDA TUBERÍA DERECHA



2-3. PREPARACIÓN DE LA UNIDAD INTERIOR

Retire el panel frontal de la unidad interna.

- 1) Presione las lengüetas en ambos lados de la unidad para abrir el panel frontal.
- 2) Tire del panel frontal hacia usted para extraerlo.
- 3) Retire los 2 tornillos.
- 4) Abra el deflector horizontal posterior.
- 5) Presione en las 2 posiciones de la parte superior del panel y, a continuación, tire de la parte superior del panel en dirección hacia usted.
- 6) Retire el panel mientras lo levanta (ligeramente).



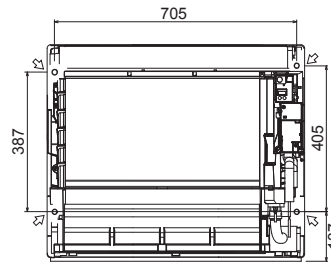
2-4. INSTALACIÓN DE LA UNIDAD INTERIOR

2-4-1. INSTALACIÓN DE LA UNIDAD INTERIOR EN EL SUELO

1. Coloque la unidad interior sobre una superficie plana.
2. Fije la unidad interior por 4 puntos con los tornillos para madera (9) y las arandelas (10) que se proporcionan. Apriete firmemente los tornillos.

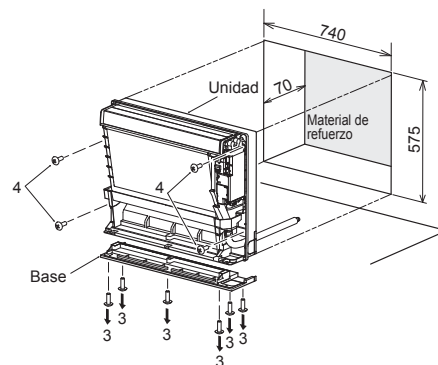
2-4-2. MONTAJE DE LA UNIDAD INTERIOR EN LA PARED

1. Enganche el extremo superior de la unidad interior en el soporte de montaje de la unidad interior (7).
2. Fije la unidad interior por 4 puntos con los tornillos para madera (9) y las arandelas (10) que se proporcionan. Apriete firmemente los tornillos.



2-4-3. EMPOTRADO DE LA UNIDAD INTERIOR EN UNA PARED

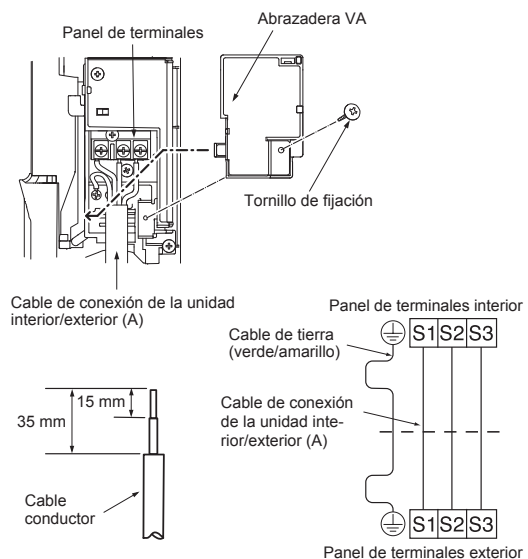
1. Haga un orificio en la pared.
2. Utilizando material de refuerzo, ajuste la profundidad.
3. Extraiga los 6 tornillos que sujetan la base a la unidad. Retire la base de la unidad.
4. Fije la unidad interior por 4 puntos con los tornillos para madera (9) y las arandelas (10) que se proporcionan. Apriete firmemente los tornillos.



2-5. CABLES DE CONEXIÓN PARA LA UNIDAD INTERIOR

- 1) Retire la abrazadera VA.
- 2) Pase el cable de conexión de la unidad interior/exterior (A) desde la parte posterior de la unidad interior y procese el extremo del cable.
- 3) Afloje el tornillo del terminal y conecte primero el cable de tierra; a continuación, conecte el cable de conexión de la unidad interior/exterior (A) al panel de terminales. Procure no equivocarse al hacer las conexiones. Fije con firmeza el cable al panel de terminales de modo que no quede a la vista ninguna de sus piezas internas, y que no se aplique ninguna fuerza externa a la sección de conexión del panel de terminales.
- 4) Apriete bien los tornillos de los terminales para que no se aflojen. Una vez apretados, tire ligeramente de los cables para confirmar que no se mueven.
- 5) Fije el cable de conexión de la unidad interior/exterior (A) y el cable de tierra con la abrazadera VA. No olvide enganchar la pestaña izquierda de la abrazadera VA. Coloque la abrazadera VA firmemente.

- El cable de tierra tiene que ser un poco más largo que los otros (más de 45 mm).
- Para el servicio futuro, prolongue el cable de conexión.
- No doble el cable sobrante ni lo almacene en un espacio reducido. Tenga cuidado de no dañar los cables.
- Al fijar el cordón o el cable al panel de terminales, asegúrese de fijar bien cada tornillo a su terminal correspondiente.



2-6. FORMACIÓN E INSTALACIÓN DE LAS TUBERÍAS

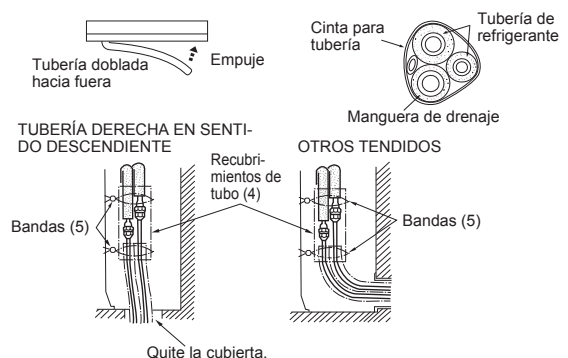
Formación de las tuberías

- Tienda la manguera de drenaje en diagonal por debajo de los tubos de conexión.
- Asegúrese de que la manguera de drenaje no está tendida hacia arriba ni que presenta ondulaciones.
- No tire de la manguera de drenaje y envuélvala con cinta.
- Tienda la tubería de modo que no pase más allá de la parte trasera de la unidad interior. (Consulte la figura de la derecha.)

Conexión de la instalación de tuberías

- Instale los tubos de conexión de modo que el conjunto de tuberías se pueda mover ligeramente hacia delante, atrás, izquierda y derecha.

- Asegúrese de aislar las tuberías de conexión de modo que no estén en contacto con el panel.
- Tenga cuidado de no partir los tubos de conexión al doblarlos.



PARA TUBERÍAS IZQUIERDA O POSTERIOR IZQUIERDA

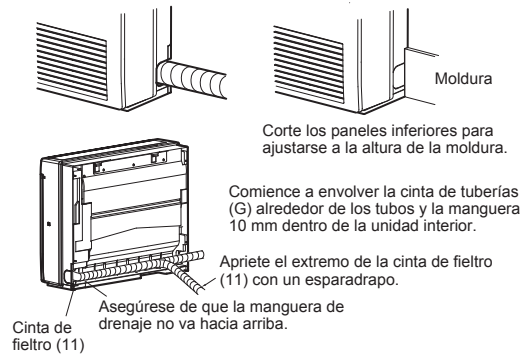
Una los tubos de conexión con la manguera de drenaje y envuélvalos en cinta de fieltro (11).

Corte y uso los paneles inferior a la derecha o izquierda de la unidad interior tal y como se muestra a continuación.

Suavice los cantos de los paneles laterales de modo que no dañen el revestimiento aislante.

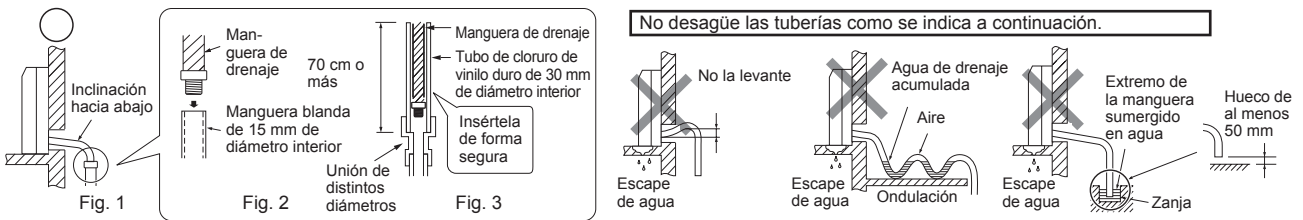
- Para tuberías derecha o izquierda
- Instalación pegada a la pared con moldura

Envuelva fuertemente con la cinta de fieltro (11) los tubos y la manguera comenzando cerca del lugar donde salen de la unidad interior. (La cinta de fieltro (11) no se debe superponer sobre sí misma más de un 1/2 de su ancho.)



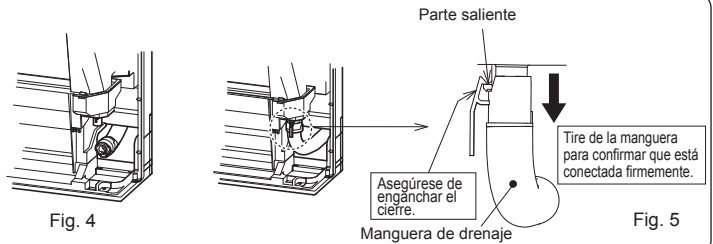
2-7. TUBERÍA DE DRENAJE

- Si la extensión de la manguera de drenaje tiene que pasar por una habitación, no olvide forrarla con aislante (disponible en el mercado).
- La manguera de drenaje debe quedar hacia abajo para facilitar el drenaje. (Fig. 1)
- Si la manguera de drenaje suministrada con la unidad interior es demasiado corta, conéctela con la manguera de drenaje (I) que debe suministrar el distribuidor. (Fig. 2)
- Al conectar la manguera de drenaje al tubo de cloruro de vinilo duro, asegúrese de que quede fija al insertarla en el tubo. (Fig. 3)



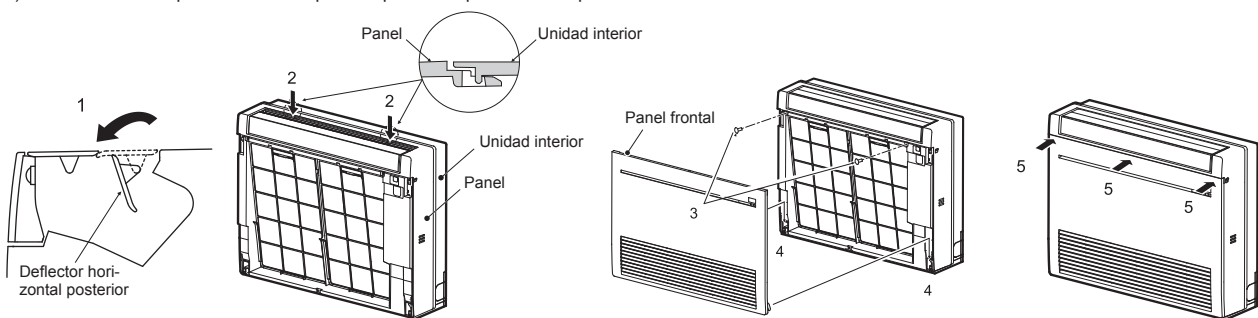
La manguera de drenaje se retira en la instalación.

- Al tender la tubería de drenaje, asegúrese de que la manguera de drenaje (1) se tiende tal y como se indica a continuación. (Fig. 4)
- Inserte la manguera de drenaje hasta llegar a la base del depósito de drenaje (conexión de la tubería). (Fig. 5)
- Asegúrese de que el cierre de la manguera de drenaje está firmemente enganchado a la parte saliente en el accesorio de la manguera del depósito de drenaje.
- Tras conectar la manguera de drenaje, asegúrese de tirar de la manguera para confirmar que está conectada de forma segura.



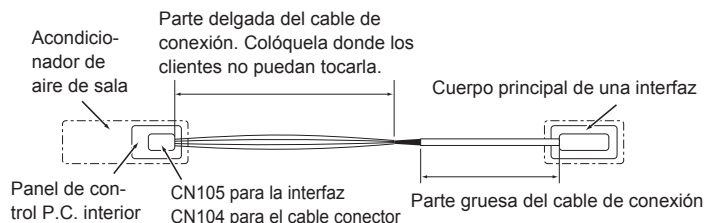
2-8. INSTALACIÓN DEL PANEL FRONTAL

- 1) Abra el deflector horizontal posterior.
- 2) Instale el panel. Asegúrese de que los cierres quedan ajustados.
- 3) Fije el panel con tornillos.
- 4) Inserte la parte inferior del panel frontal.
- 5) Presione en las 3 posiciones de la parte superior del panel central para cerrarlo.



2-9. CONEXIÓN DE UNA INTERFAZ (opcional) O UN CABLE CONECTOR (opcional) AL ACONDICIONADOR DE AIRE

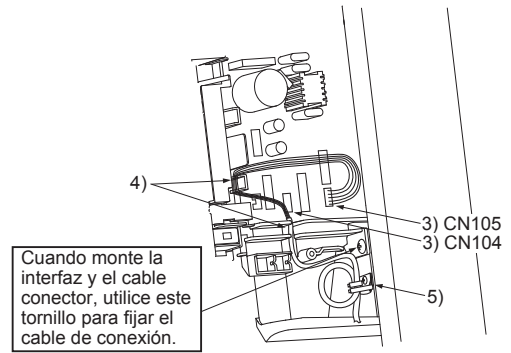
- Conecte una interfaz/un cable conector a la placa de circuito impreso interior del acondicionador de aire mediante un cable de conexión.
- Si corta o empalma el cable de conexión de la interfaz o el cable conector, se producirán problemas en la conexión. No permita que se enrollen entre ellos el cable de conexión con el cable de alimentación, el cable de conexión interior/exterior y el cable de tierra. Mantenga la distancia máxima posible entre el cable de conexión y esos cables.
- La parte delgada del cable de conexión debe guardarse y situarse en un lugar donde los clientes no puedan tocarla.



- 1) Retire el panel.
- 2) Abra la cubierta del panel de control P.C. interior.
- 3) Una el cable de conexión a CN105 y/o CN104 en la placa de circuito impreso interior.
- 4) Tienda el cable de conexión a través de este punto en la figura.
- 5) Una la abrazadera de cable suministrada con la interfaz o el cable conector a la parte gruesa del cable de conexión con un tornillo 4x16 tal y como se muestra en la figura.
- 6) Cierre la cubierta del panel de control P.C. interior. Tenga cuidado de no enganchar la parte delgada del cable de conexión en la cubierta. Vuelva a instalar el panel.

⚠ ATENCIÓN

Fije de forma segura el cable de conexión en la posición prescrita. Una instalación incorrecta puede provocar descargas eléctricas, fuego o fallos de funcionamiento.

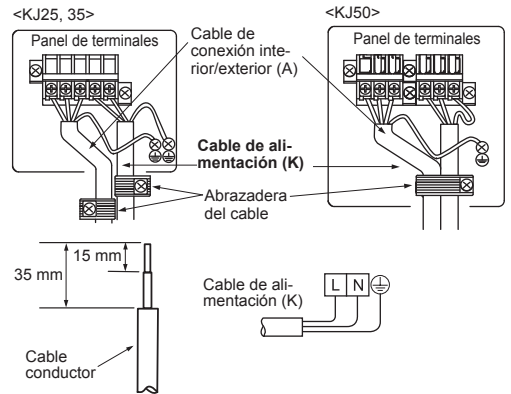


3. INSTALACIÓN DE LA UNIDAD EXTERIOR

3-1. CABLES DE CONEXIÓN PARA LA UNIDAD EXTERIOR

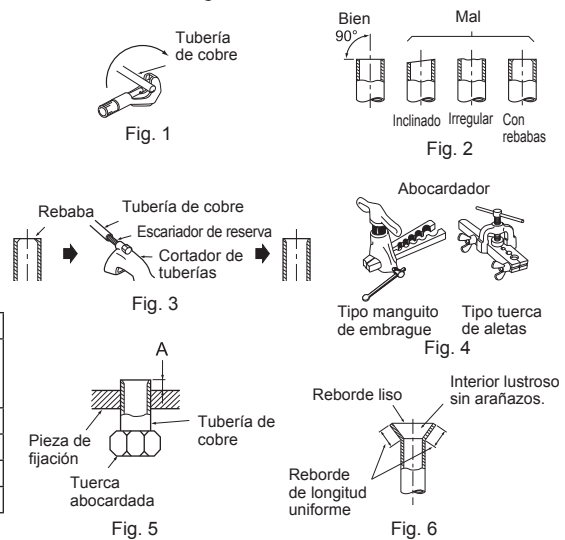
- 1) Abra el panel de servicio.
- 2) Afloje el tornillo del terminal, y conecte el cable de conexión de la unidad interior/externa (A) de la unidad interior en el panel de terminales. Procure no equivocarse al hacer las conexiones. Fije con firmeza el cable al panel de terminales de modo que no quede a la vista ninguna de sus piezas internas, y que no se aplique ninguna fuerza externa a la sección de conexión del panel de terminales.
- 3) Apriete bien los tornillos de los terminales para que no se aflojen. Una vez apretados, tire ligeramente de los cables para confirmar que no se mueven.
- 4) Conecte el cable de alimentación (K).
- 5) Fije el cable de conexión de la unidad interior/externa (A) y el cable de alimentación (K) con abrazadera del cable.
- 6) Cierre el panel de servicio de forma segura.

- El cable de tierra tiene que ser un poco más largo que los otros (más de 100 mm).
- Para el servicio futuro, prolongue el cable de conexión.
- Al fijar el cordón o el cable al panel de terminales, asegúrese de fijar bien cada tornillo a su terminal correspondiente.



3-2. TAREAS DE ABOCARDAMIENTO

- 1) Corte el tubo de cobre correctamente con un cortador de tubos. (Fig. 1, 2)
- 2) Elimine completamente las rebabas del corte transversal del tubo. (Fig. 3)
 - Al eliminar las rebabas, ponga el extremo de la tubería de cobre hacia abajo para evitar que queden en el interior.
- 3) Una vez eliminadas las rebabas, extraiga las tuercas abocardadas colocadas en las unidades interior y exterior y póngalas en el tubo. (Cuando se ha terminado el proceso de abocardado ya no se pueden poner).
- 4) Labores de abocardamiento (Fig. 4, 5). Sujete firmemente el tubo de cobre de la dimensión que se muestra en la tabla. Seleccione A mm en la tabla según la herramienta que emplee.
- 5) Compruebe
 - Compare el abocardado con la Fig. 6.
 - Si el abocardado se ve defectuoso, corte la sección abocardada y repita el proceso de abocardado.



Diámetro del tubo (mm)	Tuerca (mm)	A (mm)			Par de torsión	
		Herramienta tipo embrague para R410A	Herramienta tipo embrague para R22	Herramienta tipo tuerca de mariposa para R22	N•m	kgf•cm
ø6,35 (1/4")	17	0 - 0,5	1,0 - 1,5	1,5 - 2,0	13,7 - 17,7	140 - 180
ø9,52 (3/8")	22			34,3 - 41,2	350 - 420	
ø12,7 (1/2")	26			49,0 - 56,4	500 - 575	
ø15,88 (5/8")	29			73,5 - 78,4	750 - 800	

3-3. CONEXIÓN DE TUBERÍAS

- Apriete una tuerca abocardada con una llave dinamométrica tal y como se especifica en la tabla.
- Si aprieta demasiado la tuerca abocardada, podría romperse transcurrido un tiempo y causar pérdidas de refrigerante.
- Asegúrese de colocar el aislante alrededor de las tuberías. El contacto directo con la tubería puede ocasionar quemaduras o congelación.

Conexión de la unidad interior

- Conecte las tuberías de líquido y de gas a la unidad interior.
- Aplique una fina capa de aceite refrigerante (J) sobre los extremos abocardados de las tuberías. No aplique aceite de refrigeración en las rosas de los tornillos. Un par de apriete excesivo podría dañar el tornillo.
 - Para hacer la conexión, alinee primero el centro y luego déle a la tuerca abocardada las primeras 3 a 4 vueltas.
 - Utilice la tabla anterior de pares de torsión como guía para la sección de unión lateral de la unidad interior y apriete empleando dos llaves. Procure no apretar demasiado, ya que podría deteriorar la sección abocardada.

Conexión de la unidad exterior

- Conecte las tuberías a las uniones de tubería de las válvulas de retención de la unidad exterior siguiendo el mismo procedimiento empleado en la unidad interior.
- Para apretar, emplee una llave dinamométrica o una llave de tuercas y utilice el mismo par de torsión aplicado en la unidad interior.

⚠ ATENCIÓN
Al instalar la unidad, conecte las tuberías de refrigerante de forma fija antes de poner en marcha el compresor.

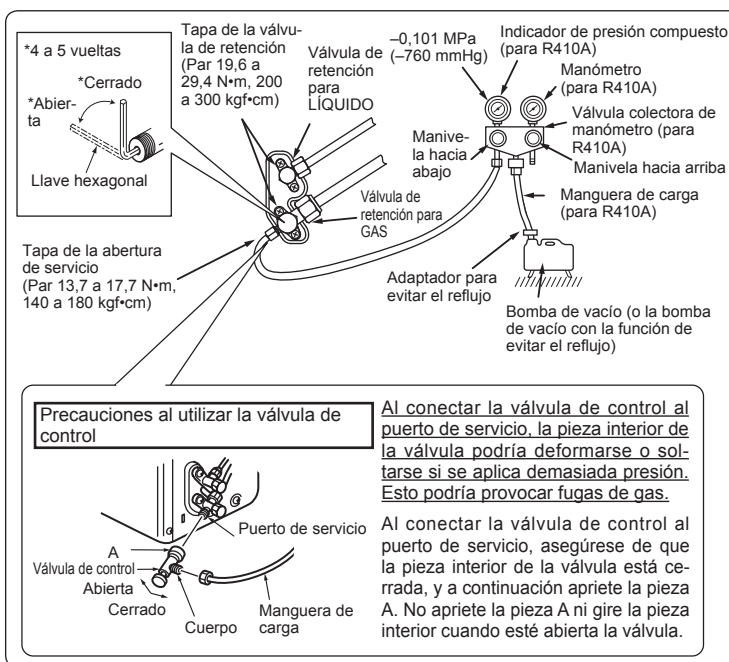
3-4. AISLAMIENTO TÉRMICO Y FORRADO CON CINTA

- 1) Cubra las uniones de tuberías con cubiertas de tubería.
- 2) En el lado de la unidad exterior, aisle bien cada una de las tuberías y válvulas.
- 3) Aplique cinta de tuberías (G) a partir de la entrada de la unidad exterior.
 - Sujete con cinta (adhesiva) el extremo de la cinta de tuberías (G).
 - Cuando las tuberías deban colocarse por encima del techo, en un armario empotrado o en lugares con una temperatura y humedad elevadas, tendrá que aplicar una cantidad suplementaria de aislante para evitar la condensación.

4. PROCEDIMIENTOS DE PURGADO, PRUEBA DE FUGAS Y FUNCIONAMIENTO DE PRUEBA

4-1. PROCEDIMIENTO DE PURGADO Y PRUEBA DE FUGAS

- 1) Retire la tapa de la abertura de servicio de la válvula de retención situada en el lado de la tubería de gas de la unidad exterior. (Inicialmente, las válvulas de retención están completamente cerradas y cubiertas con las tapas).
- 2) Conecte la válvula colectorora de manómetro y la bomba de vacío al puerto de servicio de la válvula de retención en el lado de la tubería del gas de la unidad exterior.
- 3) Ponga en funcionamiento la bomba de vacío. (Déjela funcionar durante más de 15 minutos).
- 4) Compruebe el vacío con la válvula colectorora de manómetro, cierre luego esta válvula y detenga la bomba de vacío.
- 5) Espere así uno o dos minutos. Asegúrese de que la válvula colectorora de manómetro permanece en la misma posición. Compruebe que el manómetro de presión marca $-0,101$ MPa [manómetro] (-760 mmHg).
- 6) Extraiga rápidamente la válvula colectorora de manómetro del puerto de servicio de la válvula de retención.
- 7) Después de haber conectado y purgado los tubos de refrigeración, abra por completo todas las válvulas de retención de ambos lados del tubo de gas y del tubo de líquido. Si no se lleva a cabo esta operación abriendo dichas válvulas por completo, el rendimiento disminuirá y se producirán problemas.
- 8) Consulte 1-3., e introduzca la cantidad indicada de refrigerante si fuera necesario. Introduzca el refrigerante líquido con lentitud. De lo contrario, la composición del refrigerante en el sistema puede cambiar y afectar al rendimiento del equipo de aire acondicionado.
- 9) Apriete la tapa del puerto de servicio para volver al estado inicial.
- 10) Prueba de fugas



4-2. FUNCIONAMIENTO DE PRUEBA

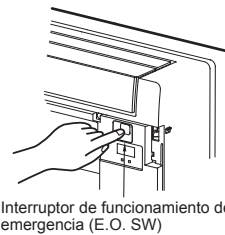
Asegúrese de lo siguiente.

- El panel está instalado correctamente.
 - Las unidades interior y exterior están instaladas correctamente y reciben alimentación.
- 1) Pulse el interruptor E.O. SW una vez para el funcionamiento de REFRIGERACIÓN y dos veces para el funcionamiento de CALEFACCIÓN. El funcionamiento de prueba se realizará durante 30 minutos. Si la luz izquierda del indicador de funcionamiento parpadea cada 0,5 segundos, compruebe que el cable de conexión (A) de la unidad interior/exterior no esté mal conectado. Tras el funcionamiento de prueba, se iniciará el modo de emergencia (temperatura de ajuste 24°C).
 - 2) Para detenerlo, pulse varias veces el interruptor E.O. SW hasta que se apaguen todas las luces de los indicadores. Si desea más detalles, consulte el manual de instrucciones.

Verificación de la recepción de señales (infrarrojos) del controlador remoto

Pulse el botón ON/OFF del controlador remoto (12) y compruebe que desde la unidad interior se oye un sonido electrónico. Vuelva a pulsar el botón ON/OFF para apagar el equipo de aire acondicionado.

- Una vez apagado el compresor, se activa el dispositivo de protección del equipo de aire acondicionado que lo mantiene apagado durante 3 minutos.



4-3. FUNCIÓN DE PUESTA EN MARCHA AUTOMÁTICA

Este producto dispone de la función de puesta en marcha automática. Si la alimentación eléctrica falla durante el funcionamiento, por ejemplo si se produce un apagón, esta función hace que una vez reanudada la alimentación el funcionamiento se produzca automáticamente con la configuración anterior. (Si desea más detalles, consulte el manual de instrucciones).

Cuidado:

- Después del funcionamiento de prueba o de la verificación de la recepción de señales remotas, apague la unidad con el interruptor E.O. SW o con el controlador remoto antes de desconectar el enchufe de alimentación. Si no lo hace la unidad se pondrá en marcha automáticamente al volver a conectar la alimentación.

Para el usuario

- Después de instalar la unidad, asegúrese de que explica al usuario los detalles de la función de puesta en marcha automática.
- Si la función de puesta en marcha automática no es necesaria, puede desactivarse. Consulte al representante técnico para desactivar esta función. Si desea más detalles, consulte las instrucciones de funcionamiento.

4-4. EXPLICACIÓN PARA EL USUARIO

- Basándose en el MANUAL DE INSTRUCCIONES, explique al usuario cómo utilizar el equipo de aire acondicionado (cómo utilizar el controlador remoto, como retirar los filtros de aire, cómo retirar o colocar el control remoto en el soporte para el controlador remoto, cómo limpiar, precauciones para el funcionamiento, etc.).
- Aconseje al usuario que lea atentamente el MANUAL DE INSTRUCCIONES.

5. BOMBEO DE VACIADO

Cuando traslade o se deshaga del aire acondicionado, bombee para vaciar el sistema siguiendo el procedimiento indicado a continuación para que no escape nada de refrigerante a la atmósfera.

- 1) Conecte la válvula colectorora de manómetro al puerto de servicio de la válvula de retención en el lado de la tubería del gas de la unidad exterior.
- 2) Cierre completamente la válvula de retención en el lado de la tubería de líquido de la unidad exterior.
- 3) Cierre casi completamente la válvula de retención del lado de la tubería de gas de la unidad exterior para que pueda cerrarse fácilmente cuando el indicador de presión muestre 0 MPa [manómetro] (0 kgf/cm²).
- 4) Inicie el funcionamiento de REFRIGERACIÓN (COOL) de emergencia.
Para iniciar el funcionamiento de emergencia en modo de REFRIGERACIÓN (COOL), desconecte el enchufe de alimentación y/o desactive el disyuntor. Transcurridos 15 segundos, conecte el enchufe de alimentación y/o active el disyuntor; a continuación pulse una vez el interruptor E.O. SW. (El funcionamiento de REFRIGERACIÓN (COOL) de emergencia puede realizarse de manera continuada durante 30 minutos).
- 5) Cierre completamente la válvula de retención del lado de la tubería de gas de la unidad exterior cuando el indicador de presión muestre de $0,05$ a 0 MPa [manómetro] (aproximadamente $0,5$ a 0 kgf/cm²).
- 6) Detenga el funcionamiento de REFRIGERACIÓN (COOL) de emergencia.
Pulse el interruptor E.O. SW dos veces para detener el funcionamiento.

⚠ ATENCIÓN

Al bombear el refrigerante, detenga el compresor antes de desconectar las tuberías de refrigerante. El compresor podría explotar si entra aire, etc. en su interior.

SOMMARIO

1. PRIMA DELL'INSTALLAZIONE.....	1
2. INSTALLAZIONE UNITÀ INTERNA.....	3
3. INSTALLAZIONE UNITÀ ESTERNA.....	6
4. PROCEDURE DI SPURGO, VERIFICA DI PERDITE E FUNZIONAMENTO DI PROVA.....	7
5. POMPAGGIO.....	7

I nomi dei modelli
sono indicati in 1-3.

Strumenti necessari per l'installazione

Cacciavite a croce	Chiave (o chiave fissa)
Livella	Chiave esagonale 4 mm
Righello graduato	Attrezzo per svasatura per R410A
Coltello multiuso o forbici	Raccordo del manometro per R410A
Sega frontale a corona classe 25, 35 - 65 mm / classe 50 - 75 mm	Pompa a depressione per R410A
Chiave dinamometrica	Tubo flessibile di carica per R410A
	Tagliatubi con alesatore

1. PRIMA DELL'INSTALLAZIONE

1-1. PRECAUZIONI PER LA SICUREZZA

- Leggere la sezione "PRECAUZIONI PER LA SICUREZZA" da osservare scrupolosamente prima di installare il condizionatore d'aria.
- Osservare sempre le avvertenze e le precauzioni elencate di seguito in quanto esse includono informazioni importanti per la sicurezza.
- Una volta letto il manuale, conservarlo unitamente al LIBRETTO DI ISTRUZIONI per un eventuale riferimento futuro.

⚠ AVVERTENZA (Potrebbe provocare decesso, gravi lesioni, ecc.)

- **Non installare l'unità da sé (utente).**
Un'installazione incompleta potrebbe causare incendi, scosse elettriche, lesioni dovute alla caduta dell'unità a perdite d'acqua. Consultare il rivenditore presso cui si è acquistata l'unità oppure un tecnico qualificato.
- **Eseguire l'installazione in modo sicuro facendo riferimento al manuale per l'installazione.**
Un'installazione incompleta potrebbe causare incendi, scosse elettriche, lesioni dovute alla caduta dell'unità a perdite d'acqua.
- **Per procedere in tutta sicurezza all'installazione dell'unità, utilizzare gli strumenti e le attrezzature di protezione adeguati.**
In caso contrario, si rischiano lesioni.
- **Installare saldamente l'unità in una posizione in grado di sostenere il peso dell'unità stessa.**
In caso contrario, l'unità potrebbe cadere e provocare lesioni.
- **I collegamenti elettrici devono essere effettuati da un elettricista qualificato ed esperto, secondo le istruzioni del manuale d'installazione. Utilizzare un circuito dedicato. Non collegare altri dispositivi elettrici al circuito.**
Qualora la capacità del circuito di alimentazione fosse insufficiente o i collegamenti fossero incompleti, potrebbero sussistere rischi di incendio o scosse elettriche.
- **Collegare correttamente a terra l'unità.**
Non collegare la messa a terra con un tubo del gas, dell'acqua, un parafulmine o un filo del telefono. Una messa a terra difettosa potrebbe causare scosse elettriche.
- **Fare attenzione a non danneggiare i fili applicando su di essi una pressione eccessiva con pezzi o viti.**
Fili danneggiati possono provocare incendi o scosse elettriche.
- **Spegnere l'interruttore principale durante l'impostazione del circuito stampato dell'unità interna o l'esecuzione dei cablaggi.**
In caso contrario, si potrebbero verificare scosse elettriche.
- **Utilizzare fili del tipo specificato per collegare le unità interna ed esterna e fissarli saldamente ai terminali in modo che lo sforzo a essi applicato non venga trasferito ai terminali stessi. Non utilizzare prolunghe, né collegamenti intermedi.**
Collegamenti incompleti e un fissaggio insufficiente potrebbero causare incendi.
- **Non installare l'unità in una posizione in cui possono essere presenti perdite di gas.**
Se intorno all'unità si dovessero presentare perdite e accumuli di gas, questo potrebbe causare esplosioni.
- **Non utilizzare collegamenti intermedi del cavo di alimentazione o una prolunga e non collegare molti apparecchi a una sola presa di CA.**
Ciò potrebbe causare rischi di incendi o scosse elettriche dovuti a contatti difettosi, isolamento difettoso, eccessivo consumo, ecc.
- **Per il lavoro di installazione, utilizzare i componenti forniti in dotazione o i componenti specificati.**
L'uso di componenti difettosi potrebbe causare rischi di lesioni o perdite di acqua dovuti a incendi, scosse elettriche, cadute dell'unità, ecc.
- **Collegando la spina di alimentazione alla presa, verificare che non vi siano polvere, ostruzioni o parti mancanti nella presa e nella spina. Verificare che la spina di alimentazione sia inserita completamente nella presa.**
In caso di polvere, ostruzioni o parti mancanti sulla spina di alimentazione o sulla presa, potrebbero determinare scosse elettriche o incendi. In caso di parti mancanti nella spina di alimentazione, sostituirla.
- **Montare saldamente il coperchio dei terminali sull'unità interna e il pannello di servizio sull'unità esterna.**
Qualora il coperchio dei terminali dell'unità interna e/o il pannello di servizio dell'unità esterna non fossero montati saldamente, ciò potrebbe causare rischi di incendio o scosse elettriche dovuti a polvere, acqua, ecc.
- **Quando si installa o si riposiziona l'unità, nonché quando se ne esegue la manutenzione, accertarsi che nessuna sostanza oltre il refrigerante specificato (R410A) penetri nel circuito refrigerante.**
La presenza di sostanze estranee come l'aria potrebbe provocare un anomalo aumento della pressione, con conseguente rischio di esplosione o lesioni personali. L'uso di refrigeranti diversi rispetto a quello specificato per il sistema darà luogo a guasti meccanici, malfunzionamenti del sistema o avaria dell'unità. Nell'ipotesi più grave, ciò potrebbe gravemente compromettere la sicurezza d'uso del prodotto.
- **Non far uscire il refrigerante nell'atmosfera. In caso di perdite di refrigerante durante l'installazione, aereare il locale.**
Se il refrigerante viene a contatto con una fiamma, si potrebbero generare gas pericolosi. Perdite di refrigerante possono causare asfissia. Prevedere una ventilazione adeguata in conformità alla norma EN378-1.
- **Una volta completata l'installazione, verificare che non vi siano perdite di gas refrigerante.**
Qualora vi fossero perdite di refrigerante all'interno e questo venisse a contatto con la fiamma di un riscaldatore del ventilatore, un apparecchio di riscaldamento, un fornello, ecc., saranno generate sostanze pericolose.
- **Per l'installazione utilizzare strumenti e materiali per tubazioni adatti.**
La pressione del R410A è 1,6 volte superiore rispetto a quella del R22. Il mancato utilizzo di strumenti o materiali adatti e l'installazione incompleta potrebbero provocare lesioni o l'esplosione dei tubi.
- **Eseguendo il pompaggio del refrigerante, arrestare il compressore prima di scollegare i tubi del refrigerante.**
Se i tubi del refrigerante sono scollegati mentre il compressore è in funzione e la valvola di arresto è aperta, l'aria potrebbe penetrare e la pressione nel ciclo refrigerante potrebbe aumentare in modo anomalo. Ciò potrebbe provocare lesioni o l'esplosione dei tubi.
- **Installando l'unità, collegare saldamente i tubi del refrigerante prima di azionare il compressore.**
Se si aziona il compressore prima di collegare i tubi del refrigerante e quando la valvola di arresto è aperta, l'aria potrebbe penetrare e la pressione nel ciclo refrigerante potrebbe aumentare in modo anomalo. Ciò potrebbe provocare lesioni o l'esplosione dei tubi.
- **Serrare il dado a cartella con la chiave dinamometrica alla coppia specificata nel presente manuale.**
In caso di serraggio eccessivo, il dado a cartella rischia di rompersi dopo un lungo periodo, con una conseguente perdita di refrigerante.
- **Occorre installare l'unità secondo quanto prescritto dalle leggi nazionali in materia di collegamenti elettrici.**

⚠ ATTENZIONE (In condizioni particolari, l'apparecchio può causare lesioni gravi se utilizzato in modo scorretto.)

- **A seconda del luogo di installazione, installare un interruttore delle perdite a terra.**
In caso contrario, si potrebbero generare scosse elettriche.
- **Eseguire accuratamente i collegamenti dei tubi e degli scarichi secondo quanto indicato nel manuale per l'installazione.**
Se i collegamenti dei tubi e degli scarichi sono eseguiti in modo scorretto, si possono verificare perdite d'acqua che possono causare danni ai mobili di casa.
- **Non toccare la presa d'aria né le alette di alluminio dell'unità esterna.**
Ciò potrebbe provocare lesioni.
- **Non installare l'unità esterna in luoghi in cui vivono piccoli animali.**
Se piccoli animali penetrano o vengono a contatto con i componenti elettrici interni dell'unità, potrebbero provocare guasti, emissioni di fumo o incendi. Inoltre, informare l'utente della necessità di tenere pulita l'area intorno all'unità.

1-2. SCELTA DELLA POSIZIONE DI INSTALLAZIONE

UNITÀ INTERNA

- Luoghi in cui il flusso dell'aria non è ostruito.
- Dove l'aria si diffonde in tutta la stanza.
- Su un muro rigido che non vibri.
- Luoghi in cui l'unità non è esposta alla luce solare diretta. Non esporre alla luce solare diretta anche durante il periodo seguente il disimballaggio e precedente l'utilizzo.
- Luoghi in cui lo scarico avviene con facilità.
- A una distanza di almeno 1 m da televisori e radio. Il funzionamento del condizionatore d'aria può interferire con la ricezione radiofonica o televisiva. È possibile che si renda necessario dotare l'apparecchio disturbato di un amplificatore.
- Il più lontano possibile da lampade fluorescenti o lampadine (in modo che il telecomando possa funzionare in modo normale).
- Luoghi in cui il filtro dell'aria può essere estratto e inserito nuovamente con facilità.

TELECOMANDO

- Luoghi in cui sia facile da utilizzare e ben visibile.
- Fuori dalla portata dei bambini.
- Scegliere una posizione in cui l'unità interna possa ricevere adeguatamente il segnale del telecomando. Controllare che da tale posizione i segnali del telecomando vengano ricevuti senza problemi dall'unità interna (emissione di un segnale acustico singolo o doppio). Quindi, fissare il supporto del telecomando a una colonna o al muro e inserirvi il telecomando a distanza senza fili.

Nota:

In una stanza dove vengano utilizzate lampade fluorescenti che utilizzano stabilizzatori degli impulsi ad alta tensione o oscillatori a intermittenza, il segnale del telecomando potrebbe non essere ricevuto.

UNITÀ ESTERNA

- Luoghi in cui non sia esposta a forte vento.
- Luoghi in cui il flusso dell'aria è sufficiente e senza polvere.
- Luoghi in cui il rischio di esposizione a pioggia o luce solare diretta sia quanto minore possibile.
- Luoghi in cui non disturbi i vicini con il rumore o l'aria calda.
- Luoghi in cui è presente un muro o supporto rigido per limitare il rumore e le vibrazioni.
- Luoghi in cui non vi siano rischi di perdite di combustibili o gas.
- Quando si installa l'unità in posizione elevata, accertarsi di fissare saldamente le gambe dell'unità stessa.
- Ad almeno 3 m di distanza dall'antenna del televisore o della radio. Nelle zone in cui la ricezione è debole, il funzionamento del condizionatore può interferire con la ricezione radiofonica o televisiva. È possibile che si renda necessario dotare l'apparecchio disturbato di un amplificatore.
- Installare orizzontalmente l'unità.
- Eseguire l'installazione in un'area non esposta a vento e neve. In zone soggette a forti nevicate, installare una copertura, un piedistallo e/o eventuali pannelli protettivi.

Nota:

Si consiglia di fare un cappio nella tubazione nei pressi dell'unità esterna in modo da ridurre le vibrazioni trasmesse da quel punto.

Nota:

Quando la temperatura esterna è bassa, utilizzare il condizionatore d'aria attenendosi alle seguenti istruzioni.

- Non installare mai l'unità esterna con il lato d'ingresso/uscita aria direttamente esposto al vento.
- Per evitare l'esposizione al vento, installare l'unità esterna posizionando il lato d'ingresso aria di fronte a un muro.
- Per evitare l'esposizione al vento, si raccomanda di installare un deflettore di protezione sul lato di uscita aria dell'unità esterna.
- Evitare le seguenti posizioni di installazione che possono causare problemi di funzionamento.
- Luoghi in cui si possono verificare perdite di gas infiammabile.
- Luoghi in cui sono depositate grandi quantità di olio lubrificante.
- Luoghi in cui si possono verificare schizzi d'olio o in cui gli ambienti siano intrisi di fumi oleosi (ad esempio cucine o fabbriche, in cui potrebbero verificarsi modifiche o danneggiamenti delle proprietà plastiche).
- In presenza di aria salmastra.
- In presenza di gas solforosi, ad esempio vicino a una sorgente calda.
- In presenza di dispositivi ad alta frequenza o senza fili.
- In presenza di elevati livelli di composti organici volatili, compresi composti di ftalato, formaldeide, ecc., che possono causare cracking chimico.

1-3. SPECIFICHE

Modello		Alimentatore *1			Specifiche dei cavi *2		Dimensioni tubo (spessore *3, *4)
Unità interna	Unità esterna	Tensione nominale	Frequenza	Capacità dell'interruttore	Alimentatore (3 nuclei)	Cavo di collegamento interno ed esterno	Gas / Liquido
MFZ-KJ25VE	MUFZ-KJ25VE(HZ)	230 V	50 Hz	10 A	1,0 mm ²	2,0 mm ² a 4 nuclei	ø9,52 / 6,35 mm (0,8 mm)
MFZ-KJ35VE	MUFZ-KJ35VE			12 A	1,5 mm ²		
MFZ-KJ35VE	MUFZ-KJ35VEHZ			16 A	2,0 mm ²		
MFZ-KJ50VE	MUFZ-KJ50VE(HZ)						

(KJ25, 35/KJ50)

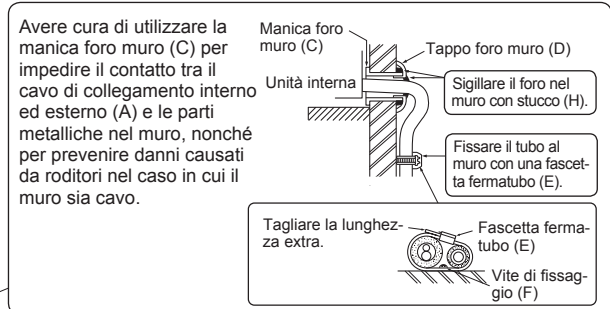
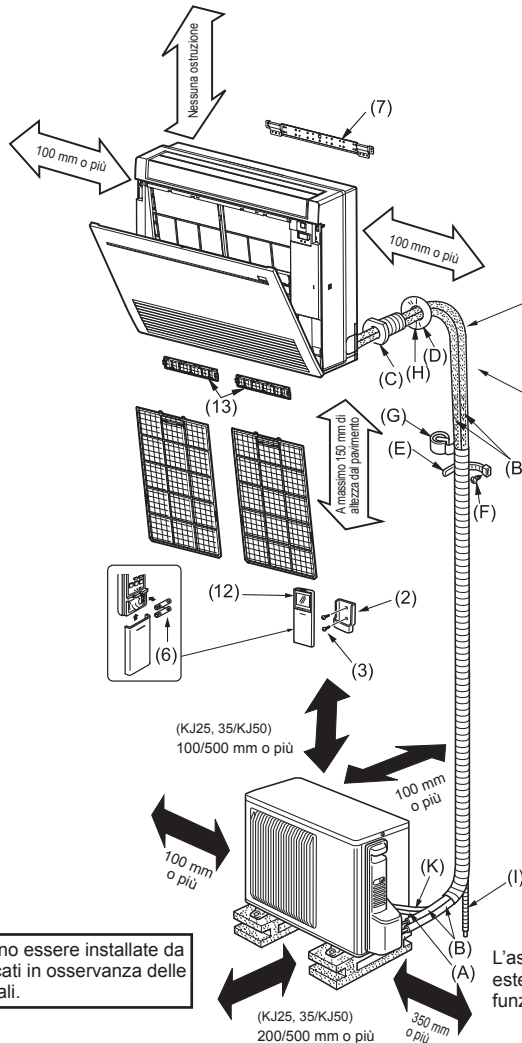
Differenza tra lunghezza e altezza tubo	
Lunghezza massima tubo	20/30 m
Differenza altezza massima	12/15 m
Numero massimo di curve *5, *6	10
Regolazione refrigerante A *7	30/20 g/m
Spessore isolamento *8, *9	8 mm

- *1 Collegare all'interruttore di alimentazione che presenta un gioco di almeno 3 mm quando viene aperto per interrompere la presa di energia elettrica dalla sorgente. (Quando l'interruttore di alimentazione è disattivato, deve scollegare tutti i poli.)
 *2 Utilizzare cavi conformi al modello 60245 IEC 57.
 *3 Non utilizzare mai cavi di spessore inferiore a quello specificato. La resistenza alla pressione sarebbe insufficiente.
 *4 Utilizzare un tubo di rame o un tubo senza guarnizione in lega di rame.

- *5 Prestare attenzione a non schiacciare e a non piegare il tubo durante la piegatura del tubo.
 *6 Il raggio di curvatura dei tubi del refrigerante deve essere di almeno 100 mm.
 *7 Se la lunghezza del tubo supera i 7 m, è necessaria una carica aggiuntiva di refrigerante (R410A). (Non è necessaria alcuna carica aggiuntiva per tubi di lunghezza inferiore a 7 m.) Refrigerante supplementare = A × (lunghezza del tubo (m) - 7)

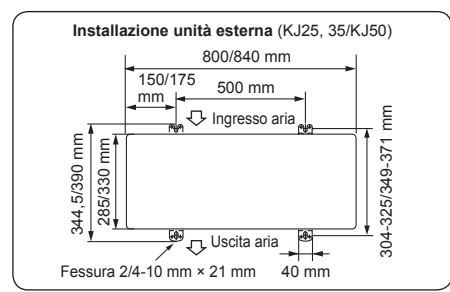
- *8 Materiale isolante: schiuma di plastica termoresistente con densità specifica 0,045
 *9 Prestare attenzione a utilizzare isolante dello spessore specificato. Uno spessore eccessivo può causare un'installazione non corretta dell'unità interna e uno spessore insufficiente causa condensa.

1-4. SCHEMA DI INSTALLAZIONE



Dopo aver verificato l'assenza di perdite, applicare il materiale isolante facendolo aderire bene, in modo da non lasciare aperture.

Quando la tubazione deve essere applicata ad un muro contenente metallo (zincato) oppure rete metallica, utilizzare una tavola di legno trattata chimicamente da 20 mm di spessore o più tra il muro e la tubazione oppure avvolgere 7 o 8 giri di nastro isolante attorno alla tubazione stessa. Per utilizzare le tubazioni esistenti, attivare la modalità di RAFFREDDAMENTO per 30 minuti e scaricare il refrigerante prima di rimuovere il vecchio condizionatore d'aria. Preparare la nuova connessione a cartella secondo le dimensioni adatte al nuovo refrigerante.



Tubazione di scarico per l'unità esterna <solo tipo VE>

- Installare la tubazione di scarico prima di eseguire il collegamento delle tubazioni tra l'unità interna ed esterna.
- Collegare il tubo di scarico (I) D.I. 15 mm come indicato nell'illustrazione.
- Accertarsi che la tubazione di scarico risulti un po' inclinata per facilitare il deflusso dello scarico.

Nota:
 Installare orizzontalmente l'unità.
 Non utilizzare l'alloggiamento dello scarico (14) nelle regioni fredde. Lo scarico potrebbe gelare e provocare l'arresto della ventola.
 L'unità esterna produce condensa durante l'operazione di riscaldamento. Selezionare la posizione di installazione in modo che l'unità esterna e/o il suolo non vengano bagnati dall'acqua di scarico o danneggiati dall'acqua di scarico congelata.

ACCESSORI

Verificate la presenza delle seguenti parti prima dell'installazione.

(1) Tubo di scarico*	1
(2) Supporto del telecomando	1
(3) Vite di fissaggio per (2) 3,5 × 16 mm (nera)	2
(4) Copritubo	1
(5) Fascetta	2
(6) Batteria (AAA) per (12)	2
(7) Staffa di fissaggio unità interna	1
(8) Vite di fissaggio per (7) 4 × 25 mm	5
(9) Vite per legno per il fissaggio dell'unità interna	4
(10) Rondella di (9)	4
(11) Nastro di feltro (usato per la tubazione a sinistra o in basso a sinistra)	1
(12) Telecomando wireless	1
(13) Filtro per la pulizia dell'aria	2

*** Nota:**

Il tubo di scarico è collegato all'unità.

<Unità esterna>

(14) Alloggiamento dello scarico (solo tipo VE)	1
---	---

PARTI DA FORNIRE PRESSO I LOCALI DEL CLIENTE

(A) Cavo collegamento unità interna ed esterna*	1
(B) Tubo di estensione	1
(C) Manica foro muro	1
(D) Tappo foro muro	1
(E) Fascetta fermatubo	2 - 5
(F) Vite di fissaggio per (E) 4 × 20 mm	2 - 5
(G) Nastro per tubi	1
(H) Stucco	1
(I) Tubo di scarico (tubo in PVC flessibile, diam. interno 15 mm o tubo in PVC rigido VP16)	1 o 2
(J) Olio refrigerante	1
(K) Cavo di alimentazione*	1

*** Nota:**

Porre il cavo di collegamento unità interna ed esterna (A) ed il cavo di alimentazione (K) ad almeno 1 metro di distanza dal filo dell'antenna del televisore.

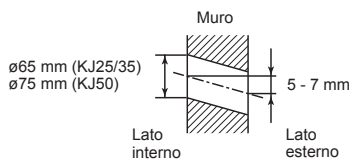
2. INSTALLAZIONE UNITÀ INTERNA

2-1. INSTALLAZIONE DELLA STAFFA DI FISSAGGIO DELL'UNITÀ INTERNA

- Individuare un componente strutturale (ad esempio un pilastro) del muro e montare la staffa (7) orizzontalmente con le apposite viti (8).
- Per impedire che la staffa (7) vibri, avere cura di installare le viti di fissaggio nei fori indicati nell'illustrazione. Per un supporto aggiuntivo, si potranno installare viti di fissaggio anche negli altri fori.

2-2. ESECUZIONE DEL FORO

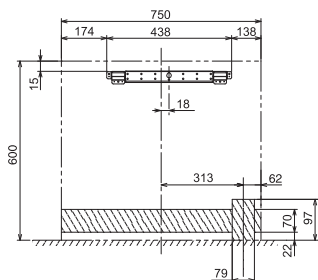
- 1) Determinare la posizione del foro sul muro.
- 2) Praticare un foro del diametro di 65 mm (dia. 75 mm per KJ50).
Il lato esterno deve essere da 5 a 7 mm più in basso del lato interno.
- 3) Inserire la manica foro muro (C).



POSIZIONI DEI FORI

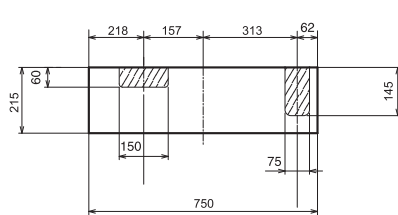
PER TUBAZIONE POSTERIORE O POSTERIORE SINISTRA

(La seguente figura è una vista anteriore della posizione d'installazione dell'unità interna.)

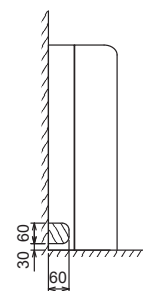


PER TUBAZIONE IN BASSO A DESTRA O IN BASSO A SINISTRA

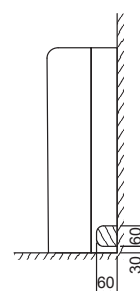
(La seguente figura è la parte inferiore dell'unità interna vista dall'alto.)



PER LA TUBAZIONE DI SINISTRA



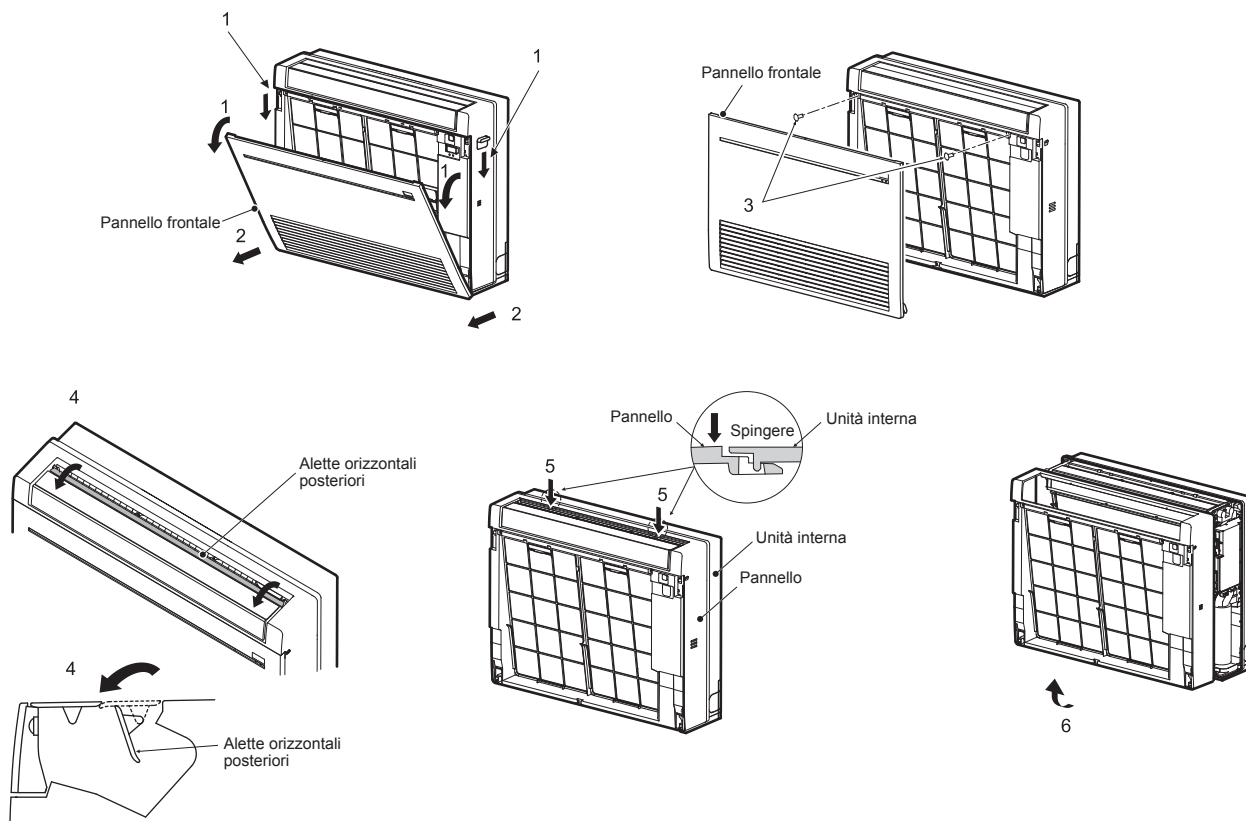
PER LA TUBAZIONE DI DESTRA



2-3. PREPARAZIONE DELL'UNITÀ INTERNA

Rimuovere il pannello frontale dall'unità interna.

- 1) Premere su entrambe le alette ai lati dell'unità per aprire il pannello anteriore.
- 2) Tirare verso di sé il pannello anteriore per rimuoverlo.
- 3) Rimuovere le 2 viti.
- 4) Aprire le alette orizzontali posteriori.
- 5) Premere nelle 2 posizioni sulla parte superiore del pannello, quindi tirare la parte superiore del pannello verso di sé.
- 6) Rimuovere il pannello sollevandolo (leggermente).



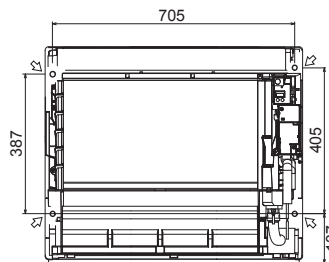
2-4. INSTALLAZIONE DELL'APPARECCHIO INTERNO

2-4-1. INSTALLAZIONE DELL'UNITÀ INTERNA SUL PAVIMENTO

1. Collocare l'unità interna su un pavimento piano.
2. Fissare l'unità interna in 4 punti mediante le viti di legno (9) e le rondelle (10) in dotazione. Serrare saldamente le viti.

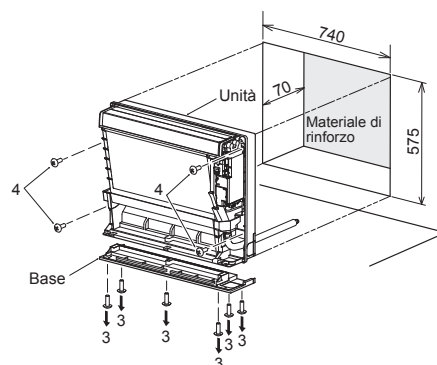
2-4-2. MONTAGGIO DELL'UNITÀ INTERNA SULLA PARETE

1. Agganciare la parte superiore dell'unità interna sulla relativa staffa di fissaggio (7).
2. Fissare l'unità interna in 4 punti mediante le viti di legno (9) e le rondelle (10) in dotazione. Serrare saldamente le viti.



2-4-3. INSERIMENTO DELL'UNITÀ INTERNA IN UNA PARETE

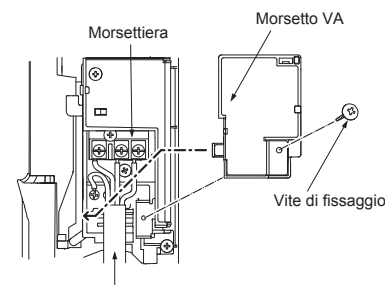
1. Praticare un foro nella parete.
2. Utilizzando materiale di rinforzo, regolare la profondità.
3. Rimuovere le 6 viti che fissano la base all'unità. Staccare la base dall'unità.
4. Fissare l'unità interna in 4 punti mediante le viti di legno (9) e le rondelle (10) in dotazione. Serrare saldamente le viti.



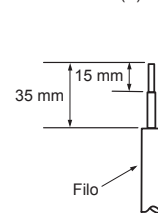
2-5. COLLEGAMENTO DEI CAVI DELL'UNITÀ INTERNA

- 1) Rimuovere il morsetto VA.
- 2) Far passare il cavo di collegamento unità interna ed esterna (A) dal retro dell'unità interna e preparare l'estremità del cavo.
- 3) Allentare le viti del terminale e collegare prima il cavo di messa a terra, quindi il cavo di collegamento unità interna ed esterna (A) alla morsetteria. Prestare attenzione a eseguire correttamente i collegamenti. Fissare saldamente il cavo alla morsetteria in modo che non siano visibili le parti al suo interno e che non sia esercitata una forza esterna sulla sezione di collegamento della morsetteria.
- 4) Stringere saldamente le viti del terminale onde evitare allentamenti. Dopo aver stretto le viti, tirare leggermente i cavi per verificarne il fissaggio.
- 5) Fissare il cavo di collegamento unità interna ed esterna (A) ed il cavo di terra con il morsetto VA. Agganciare sempre la grappa sinistra del morsetto VA. Fissare saldamente il morsetto VA.

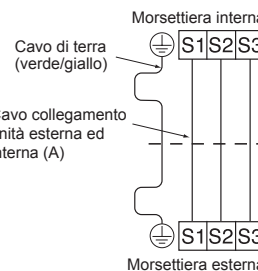
- Il cavo di terra dovrà essere un po' più lungo degli altri. (Più di 45 mm)
- Lasciare una lunghezza extra ai cavi di collegamento per permettere la manutenzione futura.
- Non piegare la parte di filo in eccesso, né stiparla in uno spazio ridotto. Fare attenzione a non danneggiare i fili.
- Assicurarsi di fissare ogni vite al terminale corrispondente al collegamento del cavo e/o del filo alla morsetteria.



Filo di collegamento unità interna/esterna (A)



Filo



2-6. DISPOSIZIONE ED INSTALLAZIONE DELLA TUBAZIONE

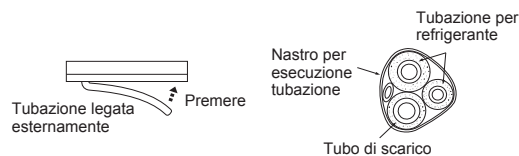
Disposizione della tubazione

- Instradare il tubo di scarico in diagonale sotto i tubi di connessione.
- Accertarsi che il tubo di scarico non sia instradato verso l'alto e che non presenti dislivelli.
- Non tirare il tubo di scarico né avvolgerlo.
- Instradare la tubazione in maniera tale che non si proietti oltre la parte posteriore dell'unità interna. (Vedere la figura a destra.)

Installazione del tubo di collegamento

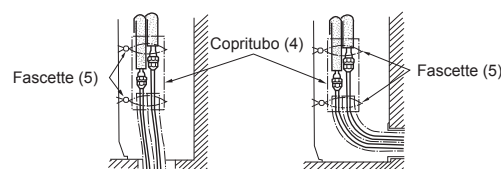
- Installare i tubi di collegamento in maniera tale che la tubazione possa spostarsi leggermente in avanti, indietro, a sinistra e a destra.

- Non dimenticare di isolare i tubi di collegamento in modo che non siano in contatto con il pannello.
- Fare attenzione a non schiacciare i tubi di collegamento quando li si piega.



TUBAZIONE A DESTRA VERSO IL BASSO

ALTRA TUBAZIONE



Rimuovere il coperchio.

PER LA TUBAZIONE A SINISTRA O DIETRO A SINISTRA

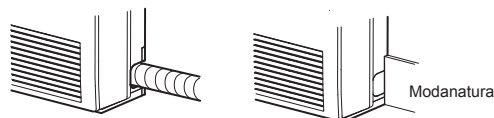
Fasciare insieme i tubi di collegamento e il tubo di scarico e quindi avvolgerli in nastro di feltro (11).

Tagliare e usare i pannelli laterali inferiori sui lati sinistro e destro dell'unità interna come mostrato di seguito.

Uniformare i bordi tagliati dei pannelli laterali in maniera tale che non danneggino il rivestimento isolante.

- Per la tubazione sinistra e destra
- installazione del flusso contro una parete con modanatura

Avvolgere il nastro di feltro (11) strettamente intorno ai tubi, iniziando vicino al punto in cui essi sono instradati dall'unità interna. (Lo spazio di sovrapposizione del nastro di feltro (11) non deve essere superiore alla metà della sua lunghezza).



Tagliare i pannelli laterali inferiori perché corrispondano all'altezza della modanatura.



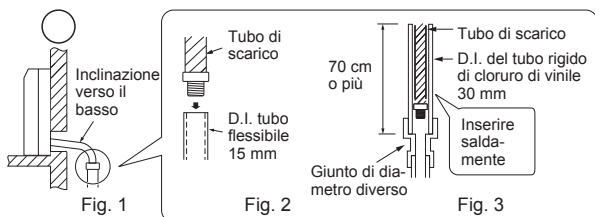
Iniziare ad avvolgere il nastro della tubazione (G) intorno ai tubi per 10 mm all'interno dell'unità interna.

Serrare l'estremità del nastro in feltro (11) con un fermo per bande.

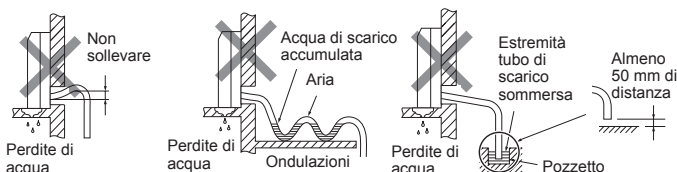
Accertarsi che il tubo di scarico non sia instradato verso l'alto.

2-7. TUBAZIONE DI SCARICO

- Se il prolungamento del tubo di scarico deve passare per una stanza, avere cura di avvolgerlo sempre con materiale isolante acquistabile presso negozi di ferramenta.
- Per facilitare il deflusso dello scarico, il tubo di scarico deve essere rivolto verso il basso. (Fig. 1)
- Se il tubo di scarico fornito con l'unità interna dovesse risultare troppo corto, collegarlo al tubo di scarico (I) aggiuntivo fornito dal distributore. (Fig. 2)
- Nel collegare il tubo di scarico al tubo rigido in cloruro di vinile, avere cura di inserirlo saldamente all'interno di quest'ultimo. (Fig. 3)



Non posizionare la tubazione di scarico come mostrato sotto.



Il tubo di scarico è rimosso al momento dell'installazione.

- Quando si instrada la tubazione di scarico, accertarsi che il tubo di scarico (1) sia instradato come indicato. (Fig. 4)
 - Inserire il tubo di scarico fino alla base della bacinella di scarico (fine collegamento). (Fig. 5)
- Assicurarsi che il fermo del tubo di scarico sia saldamente agganciato sulla sporgenza dell'attacco tubo della bacinella di scarico.
- Dopo aver collegato il tubo di scarico, assicurarsi di tirare dal tubo per verificare che sia collegato in modo sicuro.

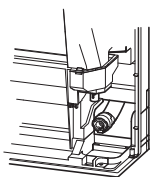


Fig. 4

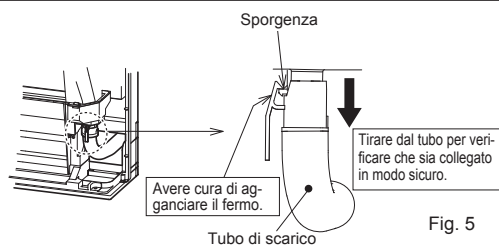
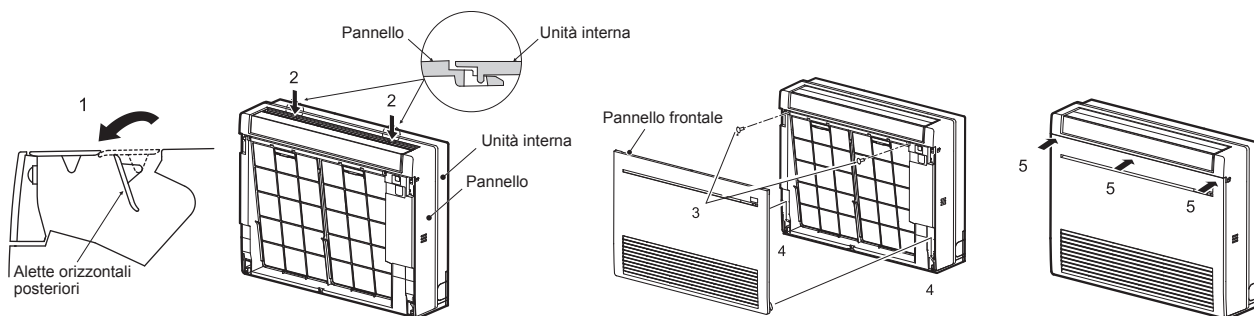


Fig. 5

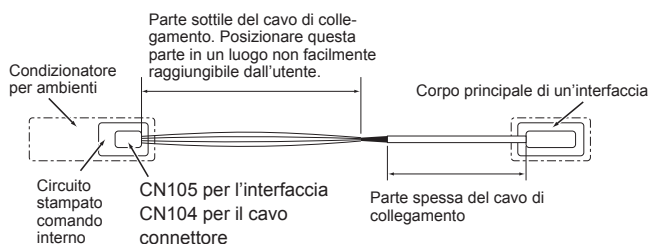
2-8. INSTALLAZIONE DEL PANNELLO ANTERIORE

- 1) Aprire le alette orizzontali posteriori.
- 2) Fissare il pannello. Assicurarsi che i fermi siano bene inseriti.
- 3) Fissare il pannello con le viti.
- 4) Inserire la parte inferiore del pannello anteriore.
- 5) Premere nei 3 punti della parte superiore del pannello anteriore per chiuderlo.



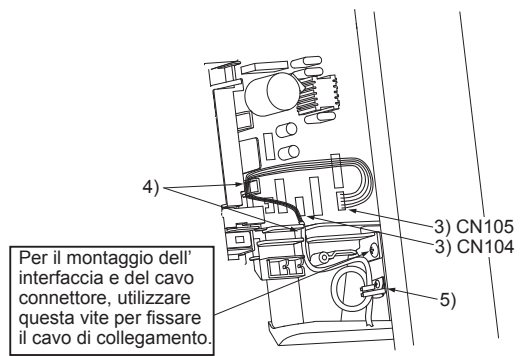
2-9. COLLEGAMENTO DI UN'INTERFACCIA (opzionale)/CAVO CONNETTORE (opzionale) AL CONDIZIONATORE D'ARIA

- Collegare l'interfaccia o il cavo connettore alla scheda del circuito stampato comando interno del condizionatore mediante un cavo di collegamento.
- Tagliando o prolungando il cavo di collegamento dell'interfaccia o del cavo connettore si provocano difetti di collegamento. Non legare il cavo di collegamento con il cavo di alimentazione, il cavo di collegamento interno ed esterno e/o il cavo di terra. Mantenere la massima distanza tra il cavo di collegamento e questi cavi.
- La parte sottile del cavo di collegamento deve essere conservata e posizionata in modo da non essere facilmente raggiungibile dall'utente.



- 1) Togliere il pannello.
- 2) Aprire il coperchio del circuito stampato comando interno.
- 3) Unire il cavo di collegamento a CN105 e/o CN104 sulla scheda del circuito stampato comando interno.
- 4) Far passare il cavo di collegamento in questo punto come mostrato in figura.
- 5) Fissare il fermacavo fornito con l'interfaccia o il cavo connettore alla parte spessa del cavo di collegamento con una vite 4x16 come mostrato in figura.
- 6) Chiudere il coperchio del circuito stampato comando interno. Prestare attenzione a non pizzicare la parte sottile del cavo di collegamento nel coperchio. Reinstallare il pannello.

AVVERTENZA
Fissare saldamente il cavo di collegamento nella posizione indicata. Un'installazione scorretta potrebbe causare scosse elettriche, incendi e/o guasti.

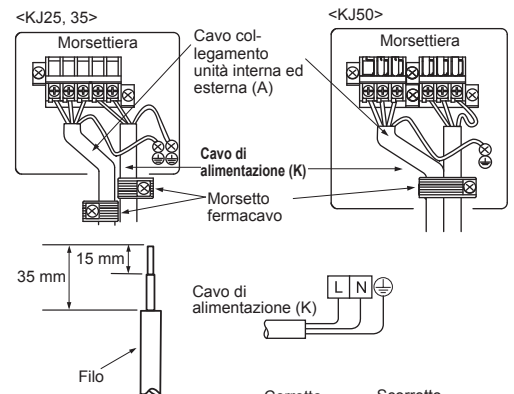


3. INSTALLAZIONE UNITÀ ESTERNA

3-1. COLLEGAMENTO DEI CAVI DELL'UNITÀ ESTERNA

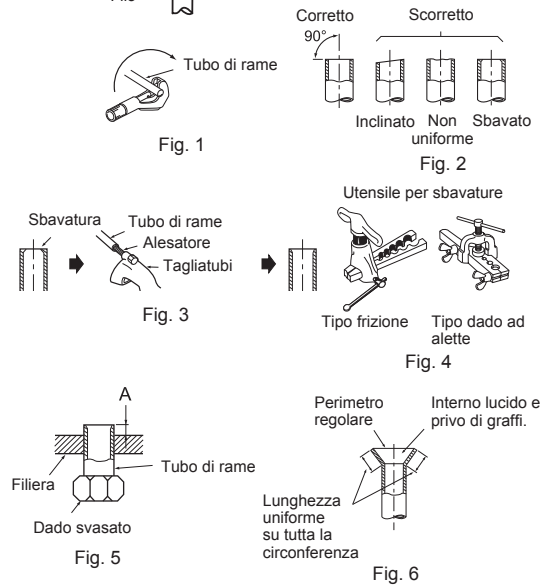
- 1) Aprire il pannello di servizio.
- 2) Allentare la vite del terminale e collegare correttamente il cavo di collegamento unità interna ed esterna (A) dall'unità interna alla morsetteria. Attenzione ad eseguire correttamente i collegamenti. Fissare saldamente il cavo alla morsetteria in modo che non siano visibili le parti al suo interno e che non sia esercitata una forza esterna sulla sezione di collegamento della morsetteria.
- 3) Stringere saldamente le viti del terminale onde evitare allentamenti. Dopo aver stretto le viti, tirare leggermente i cavi per verificarne il fissaggio.
- 4) Collegare il cavo di alimentazione (K).
- 5) Fissare il cavo di collegamento unità interna ed esterna (A) e il cavo di alimentazione (K) con il morsetto fermacavo.
- 6) Chiudere bene il pannello di servizio.

- Lasciare il cavo di messa a terra un po' più lungo degli altri. (Più di 100 mm)
- Lasciare una lunghezza extra ai cavi di collegamento per permettere la manutenzione futura.
- Assicurarsi di fissare ogni vite al terminale corrispondente al collegamento del cavo e/o del filo alla morsetteria.



3-2. SVASATURA

- 1) Tagliare il tubo di rame in modo corretto con un tagliatubi. (Fig. 1, 2)
- 2) Rimuovere completamente tutte le sbavature dalla sezione di taglio del tubo. (Fig. 3)
 - Quando si rimuovono le sbavature, rivolgere l'estremità del tubo di rame verso il basso onde evitare che le sbavature penetrino nel tubo stesso.
- 3) Rimuovere i dadi svasati applicati alle unità interna ed esterna, quindi inserirli sul tubo dopo aver rimosso completamente le sbavature. (I dadi non possono essere inseriti una volta che l'estremità del tubo è stata svasata.)
- 4) Svasatura (Fig. 4, 5). Tenere saldamente il tubo in rame delle dimensioni indicate nella tabella. Selezionare i mm di A dalla tabella in base allo strumento utilizzato.
- 5) Controllo
 - Confrontare la svasatura con la Fig. 6.
 - Se la svasatura dovesse risultare difettosa, tagliare la parte svasata ed eseguire una nuova svasatura.



Diametro tubo (mm)	Dado (mm)	A (mm)		Coppia di serraggio		
		Strumento tipo frizione per R410A	Strumento tipo frizione per R22	N*m	kgf*cm	
ø6,35 (1/4")	17	0 - 0,5	1,0 - 1,5	1,5 - 2,0	13,7 - 17,7	140 - 180
ø9,52 (3/8")	22			34,3 - 41,2	350 - 420	
ø12,7 (1/2")	26			2,0 - 2,5	49,0 - 56,4	500 - 575
ø15,88 (5/8")	29				73,5 - 78,4	750 - 800

3-3. COLLEGAMENTO DEI TUBI

- Stringere il dado svasato con una chiave dinamometrica come indicato nella tabella.
- Se serrato eccessivamente, il dado svasato può rompersi e causare perdite di refrigerante dopo un lungo periodo.
- Accertarsi di applicare materiale isolante intorno alle tubature. Il contatto diretto con le tubature non schermate può provocare ustioni o congelamento.

Collegamento unità interna

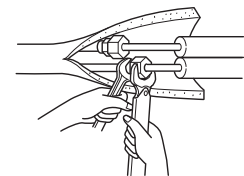
Collegare le tubazioni per il liquido e per il gas all'unità interna.

- Applicare un sottile strato di olio refrigerante (J) sulle estremità svasate dei tubi. Non applicare olio refrigerante sulle filettature delle viti. Un'eccessiva coppia di serraggio provocherà il danneggiamento della vite.
- Per eseguire il collegamento, prima allineare correttamente il centro, quindi stringere il dado svasato di 3 o 4 giri.
- Utilizzare le coppie di serraggio indicate nella tabella in alto per la giunzione sull'unità interna e stringere utilizzando due chiavi. Un serraggio eccessivo può danneggiare la sezione svasata.

Collegamento unità esterna

Collegare i tubi ai giunti della valvola di arresto seguendo le stesse indicazioni per l'unità interna.

- Utilizzando una chiave dinamometrica o una chiave fissa, stringere alla stessa coppia di serraggio utilizzata per l'unità interna.



AVVERTENZA
Installando l'unità, collegare saldamente i tubi del refrigerante prima di azionare il compressore.

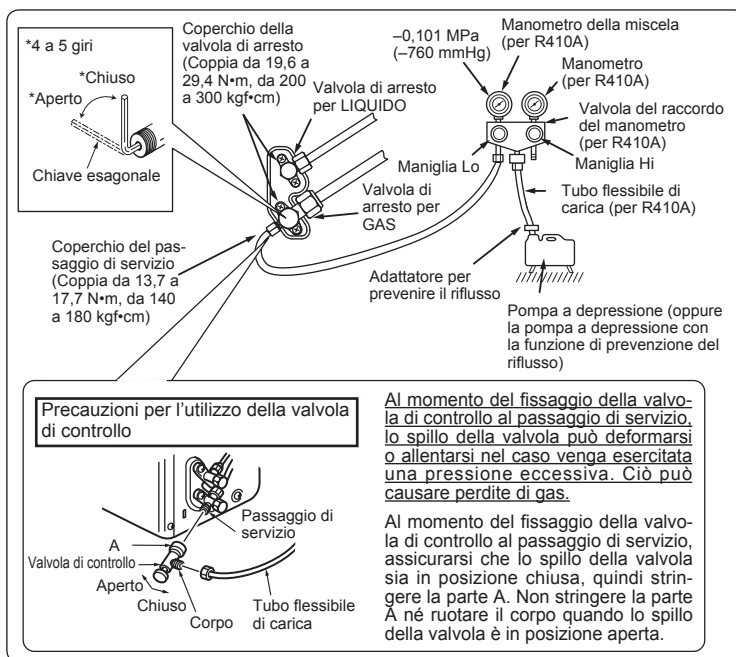
3-4. ISOLAMENTO E NASTRATURA

- 1) Coprire i giunti delle tubazioni con isolante.
- 2) All'esterno, isolare tutte le tubazioni, valvole incluse.
- 3) Utilizzando nastro per tubi (G), nastrire iniziando dall'ingresso dell'unità esterna.
 - Fermare l'estremità del nastro per tubi (G) con nastro adesivo.
 - Se le tubazioni devono venire fatte passare sopra il soffitto o per un luogo umido e caldo, avvolgere su di esse altro isolante termico del tipo disponibile in commercio così da evitare la formazione di condensa.

4. PROCEDURE DI SPURGO, VERIFICA DI PERDITE E FUNZIONAMENTO DI PROVA

4-1. PROCEDURE DI SPURGO E VERIFICA DI PERDITE

- 1) Rimuovere il coperchio del passaggio di servizio della valvola di arresto sul lato della tubazione del gas dell'unità esterna. (Le valvole di arresto quando vengono spedite dalla fabbrica sono completamente chiuse e protette dai coperchi.)
- 2) Collegare la valvola del raccordo del manometro e la pompa a depressione all'apertura di servizio della valvola di arresto sul lato del tubo del gas dell'unità esterna.
- 3) Far funzionare la pompa a depressione. (Depressurizzare per più di 15 minuti.)
- 4) Controllare la depressione con la valvola del raccordo del manometro, chiudere quindi la valvola del raccordo del manometro e arrestare la pompa a depressione.
- 5) Attendere uno o due minuti. Accertarsi che l'indicatore del raccordo del manometro rimanga nella stessa posizione. Controllare che il manometro indichi $-0,101$ MPa [Manometro] (-760 mmHg).
- 6) Rimuovere rapidamente la valvola del raccordo del manometro dal passaggio di servizio della valvola di arresto.
- 7) Dopo aver collegato e svuotato i tubi del refrigerante, aprire completamente tutte le valvole d'arresto su entrambi i lati dei tubi del gas e del liquido. Il funzionamento con le valvole non completamente aperte riduce le prestazioni e può causare problemi.
- 8) Fare riferimento al paragrafo 1-3. e caricare la quantità di refrigerante prescritto se necessario. Avere cura di caricare lentamente il refrigerante liquido. In caso contrario, la composizione del refrigerante nel sistema può risultare modificata e influire sulle prestazioni del condizionatore d'aria.
- 9) Stringere il coperchio del passaggio di servizio per ottenere lo stato iniziale.
- 10) Verifica perdite



4-2. FUNZIONAMENTO DI PROVA

Assicurarsi che vengano le condizioni seguenti.

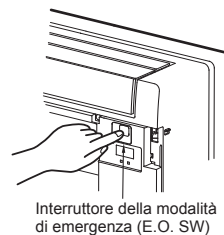
- Il pannello è installato correttamente.
 - Le unità interna ed esterna sono installate correttamente ed alimentate.
- 1) Premere l'E.O. SW una volta per il funzionamento in modalità RAFFREDDAMENTO (COOL) e due volte per il funzionamento in modalità RISCALDAMENTO (HEAT). Il funzionamento di prova sarà eseguito per 30 minuti. Se la spia sul lato sinistro dell'indicatore di funzionamento lampeggia a intervalli di 0,5 secondi, verificare che il cavo di collegamento unità esterna ed interna (A) sia collegato in modo corretto. Dopo la prova di funzionamento, si avvierà la modalità di emergenza (temperatura impostata a 24°C).
 - 2) Per arrestare il funzionamento, premere l'E.O. SW più volte fino allo spegnimento delle spie LED. Per i dettagli, consultare il libretto di istruzioni.

Controllo della ricezione dei segnali del telecomando (infrarossi)

Premere il tasto ON/OFF del telecomando (12) e verificare che si avverta un suono elettronico proveniente dall'unità interna.

Premere di nuovo ON/OFF per spegnere il condizionatore.

- Una volta che il compressore si è arrestato, il dispositivo di prevenzione di riavvio si attiva e il compressore non funzionerà per 3 minuti per proteggere il condizionatore.



4-3. FUNZIONE DI RIAVVIO AUTOMATICO

Questo prodotto è dotato di una funzione di riavvio automatico. Quando l'alimentazione elettrica viene interrotta durante il funzionamento, come in caso di blackout, una volta ripristinata l'alimentazione elettrica, la funzione riavvia automaticamente il funzionamento secondo le impostazioni precedenti. (Per i dettagli, consultare il libretto di istruzioni).

Attenzione:

- Terminato il funzionamento di prova o il controllo della ricezione dei segnali del telecomando, spegnere l'unità con l'E.O. SW o con il telecomando prima di interrompere l'alimentazione elettrica. La mancata osservanza di quanto sopra indicato causerà il riavvio automatico dell'unità al momento del ripristino dell'alimentazione elettrica.

Per l'utente

- Una volta installata l'unità, avere cura di spiegare all'utente la funzione di riavvio automatico.
- Nel caso in cui la funzione di riavvio automatico non sia necessaria, può essere disattivata. Consultare il rappresentante dell'assistenza tecnica per disattivare la funzione. Per i dettagli, consultare il manuale di manutenzione.

4-4. SPIEGAZIONE PER L'UTENTE

- Servendosi del LIBRETTO DI ISTRUZIONI, spiegare all'utente come utilizzare il condizionatore d'aria (come utilizzare il telecomando, come rimuovere i filtri dell'aria, come estrarre o inserire il telecomando nel supporto del telecomando, come eseguire la pulizia, le precauzioni per il funzionamento, ecc.)
- Consigliare all'utente di leggere attentamente il LIBRETTO DI ISTRUZIONI.

5. POMPAGGIO

Quando si desidera spostare o eliminare il condizionatore d'aria, eseguire il pompaggio del sistema attenendosi alla procedura riportata di seguito, affinché non venga emesso refrigerante nell'atmosfera.

- 1) Collegare la valvola del raccordo del manometro all'apertura di servizio della valvola di arresto sul lato del tubo del gas dell'unità esterna.
- 2) Chiudere completamente la valvola di arresto sul lato del tubo del liquido dell'unità esterna.
- 3) Chiudere quasi completamente la valvola di arresto sul lato del tubo del gas dell'unità esterna, in modo che possa essere facilmente chiusa completamente quando il manometro indica 0 MPa [Manometro] (0 kgf/cm²).
- 4) Avviare il funzionamento di emergenza in modalità di RAFFREDDAMENTO (COOL).
Per avviare il funzionamento di emergenza in modalità di RAFFREDDAMENTO (COOL), staccare la spina del cavo di alimentazione e/o spegnere l'interruttore. Dopo 15 secondi, reinserire la spina del cavo di alimentazione e/o accendere l'interruttore, quindi premere una volta l'E.O. SW. (Il funzionamento di emergenza in modalità di RAFFREDDAMENTO (COOL) non dovrà superare i 30 minuti consecutivi).
- 5) Chiudere completamente la valvola di arresto sul lato del tubo del gas dell'unità esterna quando il manometro indica da $0,05$ a 0 MPa [Manometro] (da $0,5$ a 0 kgf/cm² circa).
- 6) Arrestare il funzionamento di emergenza in modalità di RAFFREDDAMENTO (COOL).
Per arrestare il funzionamento, premere due volte l'E.O. SW.

⚠ AVVERTENZA

Eseguito il pompaggio del refrigerante, arrestare il compressore prima di scollegare i tubi del refrigerante. Il compressore potrebbe esplodere se aria ecc. vi penetra all'interno.

ΠΕΡΙΕΧΟΜΕΝΑ

1. ΠΡΙΝ ΤΗΝ ΕΓΚΑΤΑΣΤΑΣΗ.....	1
2. ΕΓΚΑΤΑΣΤΑΣΗ ΤΗΣ ΕΞΩΤΕΡΙΚΗΣ ΜΟΝΑΔΑΣ.....	3
3. ΕΓΚΑΤΑΣΤΑΣΗ ΤΗΣ ΕΣΩΤΕΡΙΚΗΣ ΜΟΝΑΔΑΣ.....	6
4. ΔΙΑΔΙΚΑΣΙΕΣ ΚΑΘΑΡΙΣΜΟΥ, ΔΟΚΙΜΗ ΔΙΑΡΡΟΗΣ ΚΑΙ ΕΛΕΓΧΟΣ ΛΕΙΤΟΥΡΓΙΑΣ.....	7
5. ΣΥΜΠΙΕΣΗ.....	7

Τα ονόματα των μοντέλων αναφέρονται στο 1-3.

Απαιτούμενα εργαλεία για εγκατάσταση

Κατσαβίδι Phillips (σταυροκατσάβιδιο)
Αλφάδι με φυσαλίδα νερού
Βαθμονομημένη κλίμακα
Μαχαίρι ή ψαλίδι γενικής χρήσης
Μηχάνημα κυκλικής σπής 25, 35 κλάση
65 mm/50 κλάση 75 mm
Κλειδί ροτής στρέψης
Κλειδί σύσφιξης (ή αγγλικό κλειδί)

Εξαγωνικό κλειδί 4 mm
Εργαλείο εκχείλιωσης για R410A
Πολυπλάσι μετρήσης για R410A
Αντλία κενού για R410A
Ελαστικός σωλήνας πλήρωσης για R410A
Κόφτης σωλήνα με διάταξη διαμόρφωσης στομίου

1. ΠΡΙΝ ΤΗΝ ΕΓΚΑΤΑΣΤΑΣΗ

1-1. ΤΑ ΠΑΡΑΚΑΤΩ ΠΡΕΠΕΙ ΝΑ ΤΗΡΟΥΝΤΑΙ ΠΑΝΤΑ ΓΙΑ ΛΟΓΟΥΣ ΑΣΦΑΛΕΙΑΣ

- Πριν την εγκατάσταση του κλιματιστικού, διαβάστε την ενότητα "ΤΑ ΠΑΡΑΚΑΤΩ ΠΡΕΠΕΙ ΝΑ ΤΗΡΟΥΝΤΑΙ ΠΑΝΤΑ ΓΙΑ ΛΟΓΟΥΣ ΑΣΦΑΛΕΙΑΣ".
- Καθώς αυτές οι προειδοποιήσεις και προφυλάξεις περιλαμβάνουν σημαντικές πληροφορίες για την ασφάλεια, βεβαιωθείτε ότι τις τηρείτε.
- Αφού διαβάσετε αυτό το χειρίδιο, φυλάξτε το μαζί με τις ΟΔΗΓΙΕΣ ΛΕΙΤΟΥΡΓΙΑΣ για να μπορείτε να τα συμβουλευέστε.

⚠ ΠΡΕΙΔΟΠΟΙΗΣΗ (Μπορεί να προκληθεί θάνατος, σοβαρός τραυματισμός κτλ.)

- **Μην εγκαθιστάτε μόνοι σας τη μονάδα (για τον χρήστη).**
Ατελής εγκατάσταση μπορεί να προκαλέσει πυρκαγιά, ηλεκτροπληξία, τραυματισμό λόγω πτώσης της μονάδας ή διαρροή νερού. Συμβουλευτείτε τον αντιπρόσωπο από τον οποίο αγοράσατε τη συσκευή ή έναν εξειδικευμένο τεχνικό εγκατάστασης.
- **Εκτελέστε τις εργασίες εγκατάστασης με ασφάλεια, ανατρέχοντας στο χειρίδιο εγκατάστασης.**
Ατελής εγκατάσταση μπορεί να προκαλέσει πυρκαγιά, ηλεκτροπληξία, τραυματισμό λόγω πτώσης της μονάδας ή διαρροή νερού.
- **Κατά την εγκατάσταση της μονάδας, χρησιμοποιήστε κατάλληλο εξοπλισμό προστασίας καθώς και εργαλεία για ασφάλεια.**
Αν δεν γίνει κάτι τέτοιο, μπορεί να προκληθεί τραυματισμός.
- **Τοποθετήστε τη μονάδα με ασφάλεια σε μέρος που μπορεί να αντέξει το βάρος της.**
Αν η τοποθέτηση της εγκατάστασης δεν μπορεί να αντέξει το βάρος της μονάδας, η μονάδα μπορεί να πέσει προκαλώντας τραυματισμό.
- **Οι ηλεκτρικές εργασίες πρέπει να εκτελούνται από έναν εξουσιοδοτημένο, έμπειρο ηλεκτρολόγο, σύμφωνα με το χειρίδιο εγκατάστασης. Βεβαιωθείτε ότι χρησιμοποιείτε αποκλειστικά κύκλωμα. Μην συνδέετε άλλες ηλεκτρικές συσκευές με το κύκλωμα.**
Εάν η ισχύς του κυκλώματος είναι ανεπαρκής ή έχουν γίνει ατελείς ηλεκτρολογικές εργασίες, μπορεί να προκληθεί πυρκαγιά ή ηλεκτροπληξία.
- **Γεώστε σωστά τη μονάδα.**
Μην συνδέετε τη γείωση σε σωλήνα αερίου, νερού, σε αλεξίκεραυνο ή στη γείωση του τηλεφώνου. Η ελαττωματική γείωση μπορεί να προκαλέσει ηλεκτροπληξία.
- **Μην καταστρέψετε τα καλώδια ασκώντας υπερβολική πίεση στα εξαρτήματα ή τις βίδες.**
Τα κατεστραμμένα καλώδια μπορεί να προκαλέσουν πυρκαγιά ή ηλεκτροπληξία.
- **Βεβαιωθείτε ότι έχει κλείσει το γενικό διακόπτη τροφοδοσίας ρεύματος όταν ρυθμίζετε τον εσωτερικό ηλεκτρολογικό πίνακα ή εκτελείτε εργασίες καλωδίωσης.**
Αν δεν γίνει κάτι τέτοιο, μπορεί να προκληθεί ηλεκτροπληξία.
- **Χρησιμοποιήστε τα καθορισμένα καλώδια για να συνδέσετε την εσωτερική και την εξωτερική μονάδα με ασφάλεια και συνδέστε τα σύρματα σφιχτά στους τμηματικούς ακροδέκτες, έτσι ώστε η καταπόνηση από τα καλώδια να μην εφαρμόζεται στις συνδέσεις. Μην επεκτείνετε τα καλώδια και μην χρησιμοποιείτε ενδιάμεση σύνδεση.**
Ατελής σύνδεση και ασφάλιση μπορεί να προκαλέσει πυρκαγιά.
- **Μην εγκαθιστάτε τη μονάδα σε μέρος όπου ενδέχεται να υπάρχει διαρροή εύφλεκτων αερίων.**
Εάν υπάρχει διαρροή αερίου και συσσώρευση του γύρω από τη μονάδα, μπορεί να προκληθεί έκρηξη.
- **Μην χρησιμοποιείτε ενδιάμεση σύνδεση του καλωδίου τροφοδοσίας ή του καλωδίου προέκτασης και μην συνδέτε πολλές συσκευές σε μια πρίζα ενυδατωμένου ρεύματος (AC).**
Μπορεί να προκληθεί πυρκαγιά ή ηλεκτροπληξία λόγω κακής επαφής, κακής μόνωσης, υπέρβασής του επιτρεπόμενου ρεύματος κλπ.
- **Βεβαιωθείτε ότι χρησιμοποιείτε τα ανταλλακτικά που παρέχονται ή που προσδιορίζονται για τις εργασίες εγκατάστασης.**
Η χρήση ελαττωματικών εξαρτημάτων μπορεί να προκαλέσει τραυματισμό ή διαρροή νερού λόγω πυρκαγιάς, ηλεκτροπληξίας, πτώσης της μονάδας κλπ.
- **Όταν συνδέετε το καλώδιο παροχής ρεύματος στην πρίζα, βεβαιωθείτε ότι δεν υπάρχει σκόνη, φράξιμο ή χαλαρά εξαρτήματα τόσο στην πρίζα όσο και στο καλώδιο παροχής ρεύματος. Βεβαιωθείτε ότι το καλώδιο παροχής ρεύματος έχει εφαρμοστεί καλά στην πρίζα.**
Αν υπάρχουν σκόνη, φράξιμο ή χαλαρά εξαρτήματα στο καλώδιο παροχής ρεύματος ή στην πρίζα, μπορεί να προκληθεί ηλεκτροπληξία ή πυρκαγιά. Αν υπάρχουν χαλαρά εξαρτήματα στο καλώδιο παροχής ρεύματος, αντικαταστήστε τα.
- **Στερεώστε με ασφάλεια το κατάντι του πίνακα της εσωτερικής μονάδας και το φάνωμα συντήρησης της εξωτερικής μονάδας.**
Εάν το κατάντι του πίνακα της εσωτερικής μονάδας ή/και το φάνωμα συντήρησης της εξωτερικής μονάδας δεν στερεωθούν με ασφάλεια, μπορεί να προκληθεί φωτιά ή ηλεκτροπληξία λόγω σκόνης, νερού κλπ.
- **Κατά την εγκατάσταση, μετακίνηση ή συντήρηση της μονάδας, βεβαιωθείτε ότι στο κύκλωμα ψύξης δεν θα εισχωρήσει άλλη ουσία εκτός από το ενδεδειγμένο ψυκτικό (R410A).**
Η παρουσία ξένης ουσίας, όπως ο αέρας, μπορεί να προκαλέσει μη φυσιολογική αύξηση της πίεσης ή να οδηγήσει σε έκρηξη ή τραυματισμό. Η χρήση κάποιου άλλου ψυκτικού υγρού από αυτό που ορίζεται για το σύστημα θα προκληθεί μηχανική βλάβη, δυσλειτουργία του συστήματος ή βλάβη της μονάδας. Στη χειρότερη περίπτωση, αυτό ενδέχεται να έχει σοβαρές επιπτώσεις στην ασφάλεια του προϊόντος.
- **Μην εκλύετε το ψυκτικό στην ατμόσφαιρα. Αν διαρρεύσει ψυκτικό κατά την εγκατάσταση, αερίστε το δωμάτιο.**
Αν το ψυκτικό έρθει σε επαφή με φωτιά, ενδέχεται να παραχθούν επιβλαβή αέρια. Η διαρροή του ψυκτικού ενδέχεται να προκαλέσει ασφυξία. Φροντίστε για τον εξερισμό σύμφωνα με το EN378-1.
- **Βεβαιωθείτε ότι δεν υπάρχει διαρροή ψυκτικού αερίου αφού ολοκληρωθεί η εγκατάσταση.**
Εάν υπάρχει διαρροή ψυκτικού αερίου σε εσωτερικό χώρο και έρθει σε επαφή με τη φλόγα αερόθερμου, θερμάστρας, σόφιας, κλπ, ενδέχεται να παραχθούν επιβλαβείς ουσίες.
- **Χρησιμοποιήστε κατάλληλα εργαλεία και υλικά σωληνώσεων για την εγκατάσταση.**
Η πίεση του R410A είναι 1,6 φορές μεγαλύτερη από την πίεση του R22. Η μη χρήση των κατάλληλων εργαλείων ή υλικών και η ατελής εγκατάσταση ενδέχεται να προκαλέσει διάρρηξη των σωληνών ή τραυματισμό.
- **Κατά την εκκένωση του ψυκτικού, σταματήστε το συμπιεστή πριν αποσυνδέσετε τις ψυκτικές σωληνώσεις.**
Αν οι ψυκτικές σωληνώσεις αποσυνδεθούν ενώ λειτουργεί ο συμπιεστής και η ανασταλτική βαλβίδα είναι ανοιχτή, ενδέχεται να εισρεύσει αέρας και η πίεση στον κύκλο ψύξης να γίνει υπερβολικά υψηλή. Κάτι τέτοιο ενδέχεται να προκαλέσει διάρρηξη των σωληνών ή τραυματισμό.
- **Κατά την εγκατάσταση της μονάδας, συνδέστε με ασφάλεια τους ψυκτικούς σωληνούς πριν βάλετε σε λειτουργία το συμπιεστή.**
Αν ο συμπιεστής τεθεί σε λειτουργία πριν συνδεθούν οι ψυκτικοί σωληνούς και ενώ η ανασταλτική βαλβίδα είναι ανοιχτή, ενδέχεται να εισρεύσει αέρας και η πίεση στον κύκλο ψύξης να γίνει υπερβολικά υψηλή. Κάτι τέτοιο ενδέχεται να προκαλέσει διάρρηξη των σωληνών ή τραυματισμό.
- **Σφίξτε το παξιμάδι εκχείλιωσης με ροτόκλειδο, όπως ορίστηκε στο παρόν χειρίδιο.**
Εάν το σφίξτε πολύ, το παξιμάδι εκχείλιωσης μπορεί να σπάσει μετά από μεγάλο χρονικό διάστημα και να προκαλέσει διαρροή ψυκτικού μέσου.
- **Η εγκατάσταση της μονάδας θα γίνει σύμφωνα με τους εθνικούς κανονισμούς περί καλωδίωσης.**

⚠ ΠΡΟΣΟΧΗ (Λανθασμένος χειρισμός ίσως προκαλέσει σοβαρό τραυματισμό σε συγκεκριμένα περιβάλλοντα.)

- **Εγκαταστήστε έναν ασφαλειοδιακόπτη διαφυγής γείωσης στο μέρος της εγκατάστασης.**
Εάν δεν γίνει εγκατάσταση ασφαλειοδιακόπτη διαφυγής γείωσης, μπορεί να προκληθεί ηλεκτροπληξία.
- **Εκτελέστε τις εργασίες αποστράγγισης/σωληνώσεων με ασφάλεια σύμφωνα με το χειρίδιο εγκατάστασης.**
Αν υπάρχει κάποια κακοτεχνία στις εργασίες αποστράγγισης/σωληνώσεων, ενδέχεται να στάξει νερό από τη μονάδα και τα οικιακά είδη να βραχούν και να καταστραφούν.
- **Μην αγγίζετε το στόμιο εισόδου αέρα ή τα περιώγια αλουμινίου της εξωτερικής μονάδας.**
Κάτι τέτοιο μπορεί να προκαλέσει τραυματισμό.
- **Μην εγκαθιστάτε την εξωτερική μονάδα σε μέρος όπου μπορεί να ζουν μικρά ζώα.**
Αν μικρά ζώα μπουν και αγγίσουν τα ηλεκτρικά εξαρτήματα μέσα στη μονάδα, μπορεί να προκληθεί δυσλειτουργία, εκπομπή καπνού ή πυρκαγιά. Επίσης, συμβουλευτείτε τους χριστές να διατηρούν καθαρή την περιοχή γύρω από τη μονάδα.

1-2. ΕΠΙΛΟΓΗ ΤΗΣ ΘΕΣΗΣ ΕΓΚΑΤΑΣΤΑΣΗΣ

ΕΣΩΤΕΡΙΚΗ ΜΟΝΑΔΑ

- Σε μέρος όπου η ροή αέρα δεν εμποδίζεται.
- Εκεί όπου ο αέρας διαχέεται σε όλο το χώρο.
- Ακαμπτos τοίχος χωρίς κραδασμούς.
- Σε μέρος όπου δεν θα εκτίθεται απευθείας σε ηλιακό φως. Επίσης, αποφύγετε την απευθείας έκθεση στον ήλιο κατά την περίοδο μετά την αποσυσκευασία και πριν τη χρήση.
- Σε μέρος όπου διευκολύνεται η αποστράγγιση.
- Σε απόσταση τουλάχιστον 1 m από την τηλεόραση και το ραδιόφωνο. Η λειτουργία του κλιματιστικού ενδέχεται να δημιουργεί παρεμβολές στη ραδιοφωνική ή τηλεοπτική λήψη. Μπορεί να απαιτείται εγκατάσταση ενισχυτή για τη συσκευή που επηρεάζεται.
- Στη μεγαλύτερη δυνατή απόσταση από λάμπες φθορίου και πυρακτώσους (έτσι ώστε το τηλεχειριστήριο υπερθέρων να επιτρέπει την κανονική λειτουργία του κλιματιστικού).
- Σε μέρος όπου διευκολύνεται η αφαίρεση και αντικατάσταση του φίλτρου αέρα.

ΤΗΛΕΧΕΙΡΙΣΤΗΡΙΟ

- Σε μέρος όπου διευκολύνει τη λειτουργία του και όπου είναι εύκολα ορατό.
 - Σε μέρος όπου δεν μπορούν να έχουν πρόσβαση παιδιά.
 - Επιλέξτε τη θέση από την οποία η εσωτερική μονάδα μπορεί να λάβει σωστά το σήμα του τηλεχειριστηρίου. Ελέγξτε ότι η εσωτερική μονάδα οντως λαμβάνει τα σήματα του τηλεχειριστηρίου από αυτήν τη θέση (ακουστείτε ο ήχος λήψης "μπιπ" ή "μπιπ μπιπ"). Στη συνέχεια, στερεώστε τη βάση τηλεχειριστηρίου σε μια κολώνα ή έναν τοίχο και τοποθετήστε το ασύρματο τηλεχειριστήριο.
- Σημείωση:**
Σε χώρους όπου χρησιμοποιούνται λάμπες φθορίου με μετασχηματιστή, είναι πιθανό να μην γίνεται λήψη του σήματος του ασύρματος τηλεχειριστηρίου.

ΕΞΩΤΕΡΙΚΗ ΜΟΝΑΔΑ

- Σε μέρος όπου δεν εκτίθεται σε δυνατό άνεμο.
- Σε μέρος όπου η έκθεση είναι ομαλή και χωρίς σκόνη.
- Σε μέρος όπου η έκθεση είναι βροχική και απευθείας σε ηλιακό φως μπορεί να αποφευχθεί όσο το δυνατόν περισσότερο.
- Σε μέρος όπου δεν ενοχλούνται οι γείτονες από τον ήχο λειτουργίας ή το ζεστό αέρα.
- Σε μέρος όπου υπάρχει σκληρός τοίχος ή στήριγμα για να μην αυξάνεται ο θόρυβος λειτουργίας ή οι κραδασμοί.
- Σε μέρος όπου δεν υπάρχει κίνδυνος διαρροής εύφλεκτου αερίου.
- Όταν εγκαθιστάτε τη μονάδα σε υψηλό επίπεδο, στερεώστε καλά τα πόδια της μονάδας.
- Σε μέρος που είναι τουλάχιστον 3 m μακριά από κεραία τηλεόρασης ή ραδιοφώνου. Η λειτουργία του κλιματιστικού ενδέχεται να δημιουργεί παρεμβολές στη ραδιοφωνική ή τηλεοπτική λήψη σε περιοχές όπου το σήμα είναι ασθενές. Μπορεί να απαιτείται εγκατάσταση ενισχυτή για τη συσκευή που επηρεάζεται.
- Εγκαταστήστε τη μονάδα σε οριζόντια θέση.
- Τοποθετήστε τη μονάδα σε σημείο που δεν είναι εκτεθειμένο σε χιόνι ή χιονοθύελλα. Σε περιοχές με μεγάλη χιονόπτωση, τοποθετήστε μια μαρκίζα, μια βάση ή/και προστατευτικά διαφράγματα.

Σημείωση:

Συνιστάται η δημιουργία ενός βρόγχου στη σωληνώση κοντά στην εξωτερική μονάδα, έτσι ώστε να μειώνονται οι κραδασμοί που μεταδίδονται από εκεί.

Σημείωση:

Όταν το κλιματιστικό λειτουργεί ενώ η εξωτερική θερμοκρασία είναι χαμηλή, βεβαιωθείτε ότι ακολουθείτε τις παρακάτω οδηγίες.

- Ποτέ μην τοποθετείτε την εξωτερική μονάδα σε μέρος όπου η μονάδα εισόδου/εξόδου αέρα είναι άμεσα εκτεθειμένη στον άνεμο.
- Για να αποτρέψετε την έκθεση στον άνεμο, τοποθετήστε την εξωτερική μονάδα με την πλευρά εισόδου αέρα στραμμένη προς τον τοίχο.
- Για να αποτρέψετε την έκθεση στον άνεμο, συνιστάται η τοποθέτηση προστατευτικού διαφράγματος στην πλευρά εξόδου αέρα της εξωτερικής μονάδας. Αποφύγετε την τοποθέτηση στα παρακάτω μέρη όπου είναι πιθανό να προκύψει βλάβη στο κλιματιστικό.
 - Σε μέρος όπου μπορεί να υπάρξει διαρροή εύφλεκτων αερίων.
 - Σε μέρος όπου υπάρχουν πολλά λιπαντικά μηχανικά έλαια.
 - Όπου έχει πέσει λάδι ή όπου υπάρχουν αναθυμιάσεις από λάδι (όπως κουζίνες και εργοστάσια, στα οποία ενδέχεται να προκληθούν αλλοιώσεις και ζημιά στα πλαστικά μέρη).
 - Σε μέρος όπου υπάρχει πολύ αλάτι, για παράδειγμα σε ακτές.
 - Σε μέρος όπου παράγονται θεοίχα αέρια, για παράδειγμα σε θερμές πηγές.
 - Σε μέρος όπου υπάρχει εξοπλισμός υψηλής συχνότητας ή ασύρματος.
 - Όπου υπάρχουν έντονες αναθυμιάσεις πτητικών οργανικών ενώσεων, όπως φθαλκικές ενώσεις, φορμαλδεΰδη κ.α., που μπορούν να προκαλέσουν χημική πυρόλυση.

1-3. ΠΡΟΔΙΑΓΡΑΦΕΣ

Μοντέλο		Παροχή ρεύματος *1			Προδιαγραφές καλωδίων *2		Μέγεθος σωλήνων (πάχος *3, *4)
Εσωτερική μονάδα	Εξωτερική μονάδα	Ονομαστική τάση	Συχνότητα	Ισχύς ασφαλειο-διακόπτη	Παροχή ρεύματος (3-κλωνο)	Καλώδιο σύνδεσης εσωτερικής/εξωτερικής μονάδας	Αέριο / Υγρό
MFZ-KJ25VE MFZ-KJ35VE	MUFZ-KJ25VE(HZ) MUFZ-KJ35VE	230 V	50 Hz	10 A	1,0 mm ²	4-κλωνο 2,0 mm ²	ø9,52 / 6,35 mm (0,8 mm)
MFZ-KJ35VE	MUFZ-KJ35VEHZ			12 A	1,5 mm ²		
MFZ-KJ50VE	MUFZ-KJ50VE(HZ)			16 A	2,0 mm ²		

(KJ25, 35/KJ50)

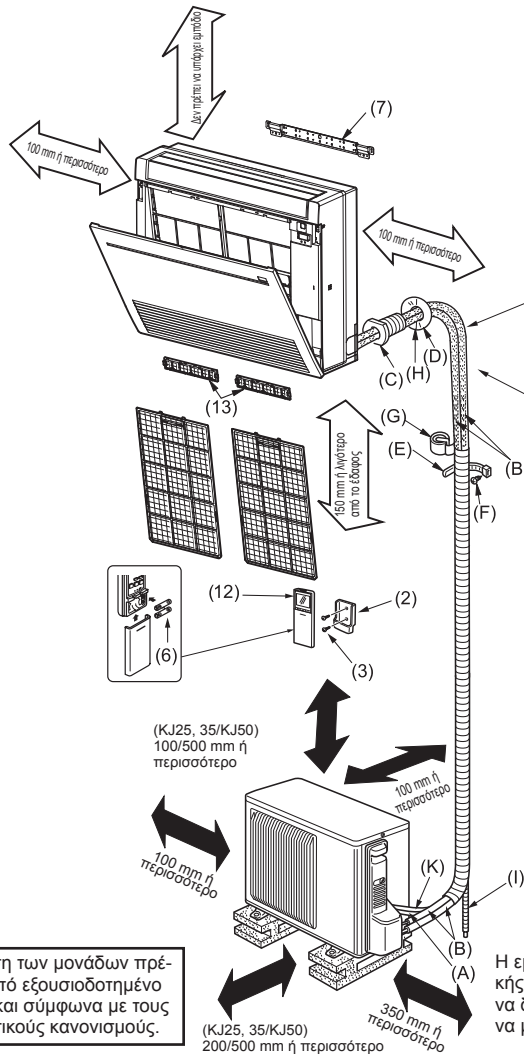
Διαφορά μήκους και ύψους σωλήνων	
Μέγ. μήκος σωλήνα	20/30 m
Μέγ. διαφορά ύψους	12/15 m
Μέγ. αριθμός γωνιών *5, *6	10
Ρύθμιση ψυκτικού Α *7	30/20 g/m
Πάχος μόνωσης *8, *9	8 mm

- *1 Συνδέστε στο διακόπτη παροχής ρεύματος ο οποίος, όταν ανοίγει για να διακόψει τη φάση της πηγής τροφοδοσίας, έχει διάκενο 3 mm ή περισσότερο. (Όταν ο διακόπτης παροχής ρεύματος είναι κλειστός πρέπει να διακόπτονται όλες οι φάσεις.)
*2 Χρησιμοποιείτε καλώδια που συμμορφώνονται προς το σχεδιασμό 60245 IEC 57.
*3 Μην χρησιμοποιείτε ποτέ σωλήνες με πάχος μικρότερο από αυτό που καθορίζεται. Η αντοχή στην πίεση δεν θα είναι αρκετή.

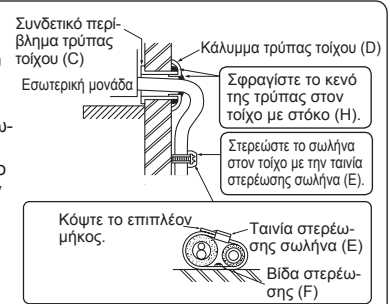
- *4 Χρησιμοποιήστε έναν χαλκοσωλήνα ή έναν σωλήνα από κράμα χαλκού χωρίς ραφές.
*5 Προσέξτε να μην σπάζετε ή λυγίσετε το σωλήνα κατά την καμπύλωση των σωλήνων.
*6 Η ακτίνα καμπύλωσης των σωλήνων ψυκτικού πρέπει να είναι 100 mm ή περισσότερο.
*7 Αν το μήκος του σωλήνα υπερβαίνει τα 7 m, απαιτείται επιπρόσθετη πλήρωση ψυκτικού (R410A). (Δεν απαιτείται επιπρό-

- σθετη πλήρωση για σωλήνα μήκους μικρότερου των 7 m.)
Πρόσθετο ψυκτικό = A × (μήκος σωλήνα (m) - 7)
*8 Μονωτικό υλικό : Θερμοανθεκτικός πλαστικός αφρός με ειδική βαρύτητα 0,045
*9 Βεβαιωθείτε ότι χρησιμοποιείτε το κατάλληλο πάχος μόνωσης. Το υπερβολικό πάχος μπορεί να προκαλέσει εσφαλμένη εγκατάσταση της εσωτερικής μονάδας και η ανεπαρκής μόνωση μπορεί να προκαλέσει δημιουργία σταγονιδίων.

1-4. ΔΙΑΓΡΑΜΜΑ ΕΓΚΑΤΑΣΤΑΣΗΣ



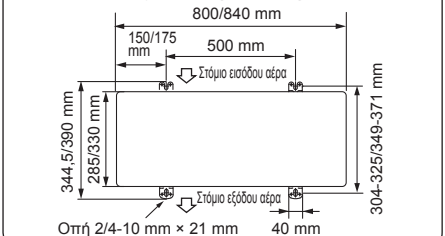
Βεβαιωθείτε ότι χρησιμοποιείτε το συνδετικό περιβλήμα τρύπας τοίχου (C) ώστε να αποτρέπεται η επαφή του καλωδίου σύνδεσης εσωτερικής/εξωτερικής μονάδας (A) με μεταλλικά μέρη στον τοίχο και να αποφεύγεται τυχόν ζημιά από τρωκτικά, σε περίπτωση που ο τοίχος είναι κούφιος.



Αφού διενεργήσετε δοκιμή διαρροής, εφαρμόστε μονωτικό υλικό με τρόπο ώστε η περιοχή να καλυφθεί καλά και να μην μείνει κανένα κενό.

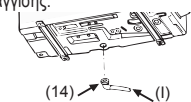
Όταν οι σωλήνες πρόκειται να προσαρτηθούν σε τοίχο που περιέχει μέταλλα (φύλλα κασσίτερου) ή μεταλλικά πλέγματα, χρησιμοποιήστε ένα χημικό κατεργασμένο κομμάτι ξύλο πάχους 20 mm ή περισσότερο, μεταξύ του τοίχου και των σωληνώσεων ή τυλίξτε 7-8 φορές μονωτική ταινία βινυλίου γύρω από το σωλήνα. Για να χρησιμοποιήσετε την υπάρχουσα σωληνώση, εκτελέστε τη λειτουργία ΨΥΞΗ (COOL) για 30 λεπτά και εκκένωση, πριν να αφαιρέσετε το παλιό κλιματιστικό. Προσαρμόστε το πλάτος ανάλογα με τις διαστάσεις της νέας ψυκτικής σωληνώσεως.

Εγκατάσταση εξωτερικής μονάδας (KJ25, 35/KJ50)



Σωληνώσεις αποστράγγισης για εξωτερική μονάδα <Μόνο τύπος VE>

- Τοποθετήστε τις σωληνώσεις αποστράγγισης πριν από τη σύνδεση των σωληνώσεων εσωτερικής και εξωτερικής μονάδας.
- Συνδέστε τον σωλήνα αποστράγγισης (I) εσ. διαμ. 15mm όπως παρουσιάζεται στο σχήμα.
- Βεβαιωθείτε ότι η σωληνώση αποστράγγισης έχει φορά προς τα κάτω για να διευκολύνεται η ροή των υγρών αποστράγγισης.



Σημείωση:
Εγκαταστήστε τη μονάδα σε οριζόντια θέση. Μην χρησιμοποιείτε στόμιο αποστράγγισης (14) σε ψυχρές περιοχές. Τα υγρά αποστράγγισης μπορεί να παγώσουν και να διακοπεί η λειτουργία του ανεμιστήρα. Η εξωτερική μονάδα παράγει συμπύκνωμα κατά τη λειτουργία θέρμανσης. Επιλέξτε το σημείο εγκατάστασης έτσι ώστε να εξασφαλιστεί ότι η εξωτερική μονάδα καλή ή ο περιβάλλον χώρος δεν θα βραχεί από νερό αποστράγγισης ή δεν θα καταστραφεί από παγωμένο νερό αποστράγγισης.

Η εγκατάσταση των μονάδων πρέπει να γίνει από εξουσιοδοτημένο εγκαταστάτη και σύμφωνα με τους ισχύοντες τοπικούς κανονισμούς.

ΕΞΑΡΤΗΜΑΤΑ

Πριν αρχίσετε την εγκατάσταση ελέγξτε τα παρακάτω εξαρτήματα.

Αριθμός	Εξάρτημα	Ποσότητα
(1)	Σωλήνας αποστράγγισης*	1
(2)	Βάση του τηλεχειριστηρίου	1
(3)	Βίδα στήριξης για (2) 3,5 × 16 mm (Μαύρη)	2
(4)	Κάλυμμα σωλήνα	1
(5)	Ταινία στήριξης	2
(6)	Μπαταρία (AAA) για (12)	2
(7)	Βάση ανάρτησης εσωτερικής μονάδας	1
(8)	Βίδα στήριξης για το (7) 4 × 25 mm	5
(9)	Ξυλόβιδα για τη στερέωση της εσωτερικής μονάδας	4
(10)	Ροδέλα του (9)	4
(11)	Ταινία πλήγματος (Χρησιμοποιείται για αριστερή ή πίσω-αριστερή σωληνώση)	1
(12)	Ασύρματο τηλεχειριστήριο	1
(13)	Φίλτρο καθαρισμού αέρα	2

* Σημείωση:
Ο ελαστικός σωλήνας αποστράγγισης είναι συνδεδεμένος με την μονάδα.
<Εξωτερική μονάδα>

(14)	Στόμιο αποστράγγισης (Μόνο τύπος VE)	1
------	--------------------------------------	---

ΕΞΑΡΤΗΜΑΤΑ ΠΟΥ ΠΑΡΕΧΟΝΤΑΙ ΣΤΟ ΧΩΡΟ ΣΑΣ

(A)	Καλώδιο σύνδεσης εσωτερικής/εξωτερικής μονάδας*	1
(B)	Σωλήνας προέκτασης	1
(C)	Συνδετικό περιβλήμα τρύπας τοίχου	1
(D)	Κάλυμμα τρύπας τοίχου	1
(E)	Ταινία στερέωσης σωλήνα	2 - 5
(F)	Βίδα στερέωσης για (E) 4 × 20 mm	2 - 5
(G)	Ταινία περιδεσης	1
(H)	Στόκος	1
(I)	Σωλήνας αποστράγγισης (ή σωλήνας από μαλακό PVC, εσωτ. διαμ. 15 mm ή σκληρό PVC, VP16)	1 ή 2
(J)	Ψυκτικό λάδι	1
(K)	Καλώδιο τροφοδοσίας*	1

* Σημείωση:
Τοποθετήστε το καλώδιο σύνδεσης εσωτερικής/εξωτερικής μονάδας (A) και το Καλώδιο τροφοδοσίας (K) τουλάχιστον 1 m μακριά από το καλώδιο της κεραίας τηλεόρασης.

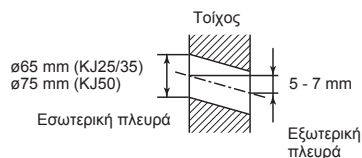
2. ΕΓΚΑΤΑΣΤΑΣΗ ΤΗΣ ΕΣΩΤΕΡΙΚΗΣ ΜΟΝΑΔΑΣ

2-1. ΣΤΕΡΕΩΣΗ ΑΓΚΙΣΤΡΟΥ ΣΤΗΡΙΞΗΣ ΕΣΩΤΕΡΙΚΗΣ ΜΟΝΑΔΑΣ

- Βρείτε ένα δομικό υλικό στον τοίχο (π.χ. ένα καρφί) και στερεώστε το μεταλλικό φύλλο (7) σε οριζόντια θέση χρησιμοποιώντας βίδες στερέωσης (8).
- Για να αποτρέψετε δονήσεις του μεταλλικού φύλλου εγκατάστασης (7), βεβαιωθείτε ότι έχετε τοποθετήσει τις βίδες στερέωσης στις οπές που υποδεικνύονται στο σχήμα. Για επιπρόσθετη στήριξη, μπορείτε να τοποθετήσετε βίδες στερέωσης και σε άλλες οπές.

2-2. ΔΙΑΝΟΙΞΗ ΟΠΩΝ

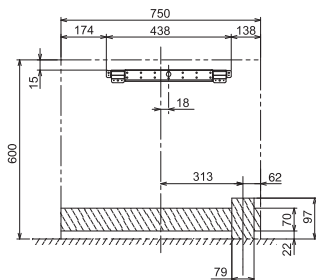
- 1) Καθορίστε τη θέση της τρύπας στον τοίχο.
- 2) Ανοίξτε μια οπή διαμέτρου 65 mm (διαμ. 75 mm για KJ50). Η εξωτερική πλευρά θα πρέπει να βρίσκεται κατά 5 έως 7 mm χαμηλότερα σε σχέση με την εσωτερική.
- 3) Εισαγάγετε το συνδετικό περίβλημα τρύπας τοίχου (C).



ΘΕΣΕΙΣ ΟΠΩΝ

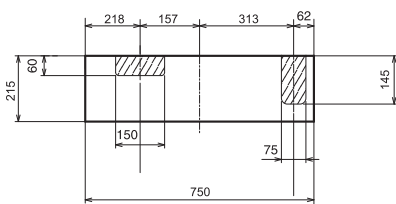
ΓΙΑ ΑΡΙΣΤΕΡΗ Ή ΠΙΣΩ-ΑΡΙΣΤΕΡΗ ΣΩΛΗΝΩΣΗ

(Η παρακάτω εικόνα εμφανίζει την μπροστινή όψη της θέσης εγκατάστασης της εσωτερικής μονάδας.)

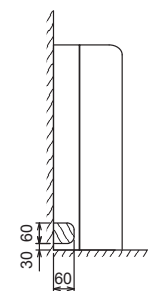


ΓΙΑ ΔΕΞΙΑ Ή ΑΡΙΣΤΕΡΗ ΣΩΛΗΝΩΣΗ ΜΕ ΚΑΤΕΥΘΥΝΣΗ ΠΡΟΣ ΤΑ ΚΑΤΩ

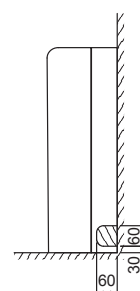
(Η παρακάτω εικόνα εμφανίζει την όψη της βάσης της εσωτερικής μονάδας όπως φαίνεται από πάνω.)



ΓΙΑ ΑΡΙΣΤΕΡΗ ΣΩΛΗΝΩΣΗ



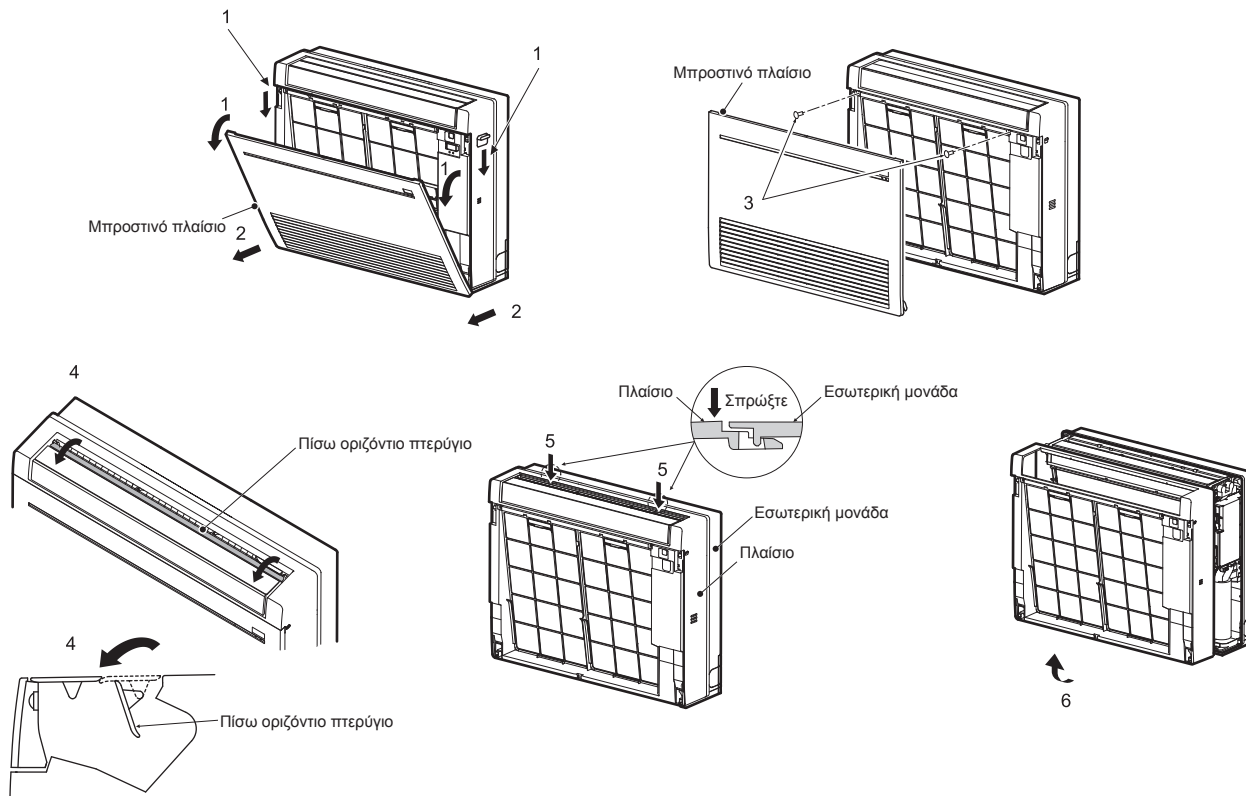
ΓΙΑ ΔΕΞΙΑ ΣΩΛΗΝΩΣΗ



2-3. ΠΡΟΕΤΟΙΜΑΣΙΑ ΕΣΩΤΕΡΙΚΗΣ ΜΟΝΑΔΑΣ

Αφαιρέστε το μπροστινό πλαίσιο της εσωτερικής μονάδας.

- 1) Πιέστε προς τα κάτω τη γλωττίδα στις δύο πλευρές της μονάδας, για να ανοίξετε το μπροστινό πλαίσιο.
- 2) Τραβήξτε το μπροστινό πλαίσιο προς το μέρος σας, για να το αφαιρέσετε.
- 3) Αφαιρέστε τις 2 βίδες.
- 4) Ανοίξτε την πίσω οριζόντια περσίδα.
- 5) Πιέστε τα 2 σημεία στο επάνω τμήμα του πλαισίου και μετά τραβήξτε το επάνω μέρος του πλαισίου προς το μέρος σας.
- 6) Αφαιρέστε το πλαίσιο ενώ το έχετε ανασηκώσει (ελαφρά).



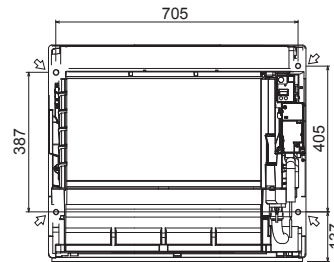
2-4. ΕΓΚΑΤΑΣΤΑΣΗ ΕΣΩΤΕΡΙΚΗΣ ΜΟΝΑΔΑΣ

2-4-1. ΕΓΚΑΤΑΣΤΑΣΗ ΤΗΣ ΕΣΩΤΕΡΙΚΗΣ ΜΟΝΑΔΑΣ ΣΤΟ ΔΑΠΕΔΟ

1. Τοποθετήστε την εσωτερική μονάδα στο επίπεδο δάπεδο.
2. Στερεώστε την εσωτερική μονάδα στα 4 σημεία με τις ξύλινες βίδες (9) και τις ροδέλες (10) που περιλαμβάνονται στη συσκευασία. Σφίξτε καλά τις βίδες για να ασφαλίσουν.

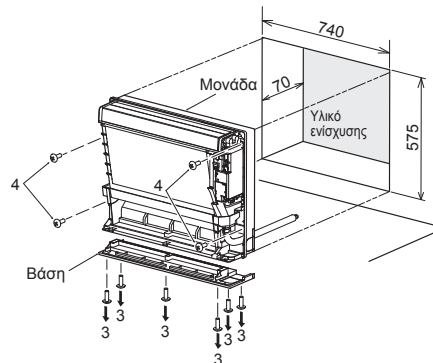
2-4-2. ΤΟΠΟΘΕΤΗΣΗ ΤΗΣ ΕΣΩΤΕΡΙΚΗΣ ΜΟΝΑΔΑΣ ΣΤΟΝ ΤΟΙΧΟ

1. Κρεμάστε την επάνω πλευρά της εσωτερικής μονάδας στη βάση ανάρτησης (7).
2. Στερεώστε την εσωτερική μονάδα στα 4 σημεία με τις ξύλινες βίδες (9) και τις ροδέλες (10) που περιλαμβάνονται στη συσκευασία. Σφίξτε καλά τις βίδες για να ασφαλίσουν.



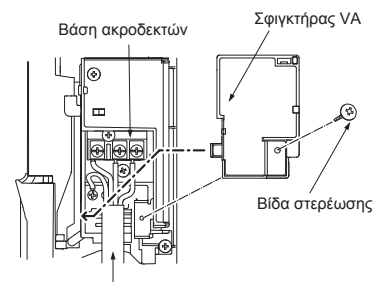
2-4-3. ΕΝΤΟΙΧΙΣΜΟΣ ΤΗΣ ΕΣΩΤΕΡΙΚΗΣ ΜΟΝΑΔΑΣ

1. Ανοίξτε μια οπή στον τοίχο.
2. Προσαρμόστε το βάθος, χρησιμοποιώντας υλικό ενίσχυσης.
3. Αφαιρέστε τις 6 βίδες που στερεώνουν τη βάση στη μονάδα. Αφαιρέστε τη βάση από τη μονάδα.
4. Στερεώστε την εσωτερική μονάδα στα 4 σημεία με τις ξύλινες βίδες (9) και τις ροδέλες (10) που περιλαμβάνονται στη συσκευασία. Σφίξτε καλά τις βίδες για να ασφαλίσουν.



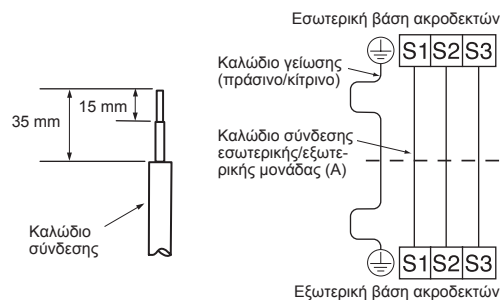
2-5. ΣΥΝΔΕΣΗ ΚΑΛΩΔΙΩΝ ΓΙΑ ΤΗΝ ΕΣΩΤΕΡΙΚΗ ΜΟΝΑΔΑ

1. Αφαιρέστε το σφικτήρα VA.
2. Περάστε το καλώδιο σύνδεσης εσωτερικής/εξωτερικής μονάδας (A) από το πίσω μέρος της εσωτερικής μονάδας και επεξεργαστείτε το άκρο του καλωδίου.
3. Χαλαρώστε τη βίδα των ακροδεκτών και συνδέστε πρώτα το καλώδιο γείωσης και, στη συνέχεια, το καλώδιο σύνδεσης εσωτερικής/εξωτερικής μονάδας (A) στη βάση ακροδεκτών. Προσέξτε να μην κάνετε λάθος συνδέσεις. Στερεώστε καλά τη βάση ακροδεκτών έτσι ώστε να μην είναι εμφανές κανένα μέρος από το κυρίως τμήμα και να μην ασκείται εξωτερική πίεση στο σημείο σύνδεσης της βάσης ακροδεκτών.
4. Βιδώστε σφιχτά τις βίδες των ακροδεκτών για να αποφύγετε το ξεβιδωμά τους. Αφού βιδώσετε, τραβήξτε ελαφρά τα καλώδια για να βεβαιωθείτε ότι δεν κινούνται.
5. Στερεώστε το καλώδιο σύνδεσης εσωτερικής/εξωτερικής μονάδας (A) και το καλώδιο γείωσης με το σφικτήρα VA. Ποτέ μην παραλείψετε να αγκιστρώσετε το αριστερό νύχι του σφικτήρα VA. Στερεώστε καλά το σφικτήρα VA.



Καλώδιο σύνδεσης εσωτερικής/εξωτερικής μονάδας (A)

- Το καλώδιο γείωσης θα πρέπει να είναι λίγο μακρύτερο από τα υπόλοιπα. (Περισσότερο από 45 mm)
- Αφήστε μεγαλύτερο μήκος στα καλώδια σύνδεσης, για μελλοντική συντήρηση.
- Μην διπλώνετε το καλώδιο που περισσεύει και μην το στριμώχνετε σε μικρό χώρο. Προσέξτε να μην προκαλέσετε βλάβη στα καλώδια.
- Βεβαιωθείτε ότι έχετε προσαρτήσει κάθε βίδα στο αντίστοιχο τερματικό κατά την ασφάλιση του καλωδίου ή/και του καλωδίου του τερματικού συνόλου.



2-6. ΔΙΑΜΟΡΦΩΣΗ ΣΩΛΗΝΩΣΕΩΝ ΚΑΙ ΕΓΚΑΤΑΣΤΑΣΗ

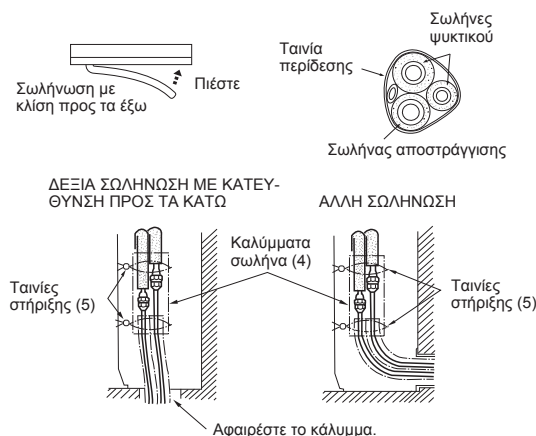
Διαμόρφωση σωληνώσεων

- Περάστε το σωλήνα αποστράγγισης διαγωνίως κάτω από τους σωλήνες σύνδεσης.
- Βεβαιωθείτε ότι ο σωλήνας αποστράγγισης δεν έχει κλίση προς τα πάνω ούτε ανεβοκατεβάσματα.
- Μην τραβάτε το σωλήνα αποστράγγισης για να τον τυλίξετε με ταινία.
- Περάστε τη σωληνώση με τρόπο ώστε να μην προεξέχει στην πίσω πλευρά της εσωτερικής μονάδας. (Δείτε την εικόνα στα δεξιά.)

ΕΓΚΑΤΑΣΤΑΣΗ ΣΩΛΗΝΑ ΣΥΝΔΕΣΗΣ

- Τοποθετήστε τους σωλήνες σύνδεσης ώστε να μπορούν να μεταποτιστούν ελαφρώς προς τα μπροστά, πίσω, αριστερά και δεξιά.

- Βεβαιωθείτε ότι έχετε μονώσει τους σωλήνες σύνδεσης, έτσι ώστε να μην έρχονται σε επαφή με το πλαίσιο.
- Προσέξτε να μην σπάσετε τους σωλήνες σύνδεσης όταν τους λυγίζετε.

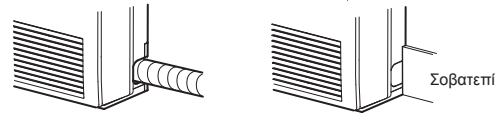


ΓΙΑ ΑΡΙΣΤΕΡΗ Ή ΑΡΙΣΤΕΡΗ-ΠΙΣΩ ΣΩΛΗΝΩΣΗ

Τυλίξτε τους σωλήνες σύνδεσης και τον εύκαμπτο σωλήνα αποστράγγισης μαζί με ταινία πηλμάτος (11).

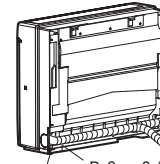
Κόψτε τα πλαϊνά πλαίσια όσο χρειάζεται στην αριστερή και τη δεξιά πλευρά της εσωτερικής μονάδας όπως δείχνει η εικόνα. Κόψτε τις επιφάνειες που κόψατε ώστε να μην υπάρχει κίνδυνος να καταστρέψουν τη μόνωση των σωλήνων.

- Για αριστερή ή δεξιά σωληνώση
- Τοποθέτηση σε τοίχο με σοβατεπί



Κόψτε τα πλαϊνά πλαίσια ανάλογα με το ύψος που έχει το σοβατεπί.

Ξεκινήστε να τυλίξετε με την ταινία (G) τους σωλήνες και τον εύκαμπτο σωλήνα αποστράγγισης 10 mm στο εσωτερικό της εσωτερικής μονάδας.



Χρησιμοποιήστε ένα στοπί περιδίνησης στο τέλος της ταινίας πηλμάτος (11).

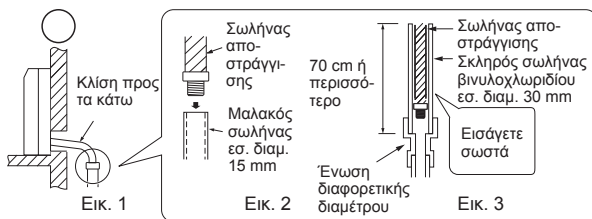
Βεβαιωθείτε ότι ο σωλήνας αποστράγγισης δεν έχει κατεύθυνση προς τα πάνω.

Ταινία πηλμάτος (11)

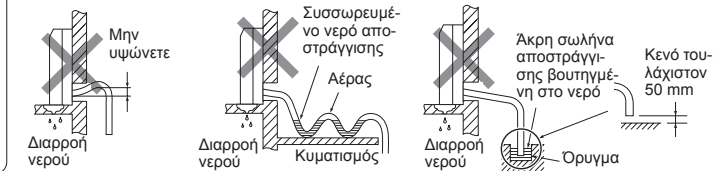
Τυλίξτε με την ταινία πηλμάτος (11) σφικτά τους σωλήνες και τον εύκαμπτο σωλήνα αποστράγγισης ξεκινώντας από το σημείο σύνδεσης των σωλήνων στην εσωτερική μονάδα. (Το πλάτος επικάλυψης της ταινίας πηλμάτος (11) δεν πρέπει να υπερβαίνει το 1/2 του πλάτους της.)

2-7. ΣΩΛΗΝΩΣΗ ΑΠΟΣΤΡΑΓΓΙΣΗΣ

- Εάν ο σωλήνας αποστράγγισης που χρησιμοποιήσατε ως επέκταση χρειάζεται να περάσει μέσα από ένα δωμάτιο, βεβαιωθείτε ότι τον έχετε καλύψει με μονωτικό υλικό του εμπορίου.
- Ο σωλήνας αποστράγγισης πρέπει να έχει κλίση προς τα κάτω για να διευκολύνεται η ροή αποστράγγισης. (Εικ. 1)
- Εάν ο σωλήνας αποστράγγισης που περιέχεται στην εσωτερική μονάδα είναι πολύ κοντός, συνδέστε τον με το σωλήνα αποστράγγισης (I) που έχετε στο χώρο σας. (Εικ. 2)
- Όταν συνδέετε το σωλήνα αποστράγγισης με το σκληρό σωλήνα βινυλοχλωριδίου, βεβαιωθείτε ότι τον έχετε συνδέσει στέρεα στο σωλήνα. (Εικ. 3)

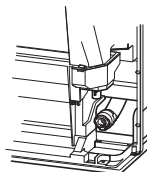


Μην διαμορφώνετε τις σωληνώσεις αποστράγγισης όπως απεικονίζεται παρακάτω.

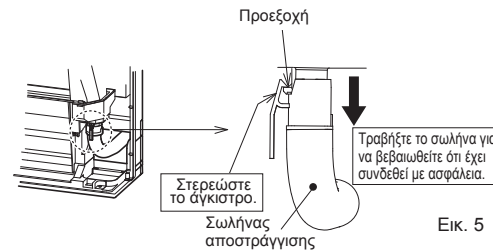


Ο ελαστικός σωλήνας αποστράγγισης αφαιρείται κατά την εγκατάσταση.

- Για την όδευση της σωληνώσεως αποστράγγισης, βεβαιωθείτε ότι ο σωλήνας αποστράγγισης (1) είναι τοποθετημένος όπως δείχνει η εικόνα. (Εικ. 4)
- Τοποθετήστε το σωλήνα αποστράγγισης στη βάση της υποδοχής αποστράγγισης (άκρο σύνδεσης). (Εικ. 5)
- Βεβαιωθείτε ότι το άγκιστρο του σωλήνα αποστράγγισης έχει γαντζωθεί καλά στην προεξοχή του τμήματος σύνδεσης σωλήνα της υποδοχής αποστράγγισης.
- Αφού συνδέσετε το σωλήνα αποστράγγισης, τραβήξτε το σωλήνα για να βεβαιωθείτε ότι έχει συνδεθεί με ασφάλεια.



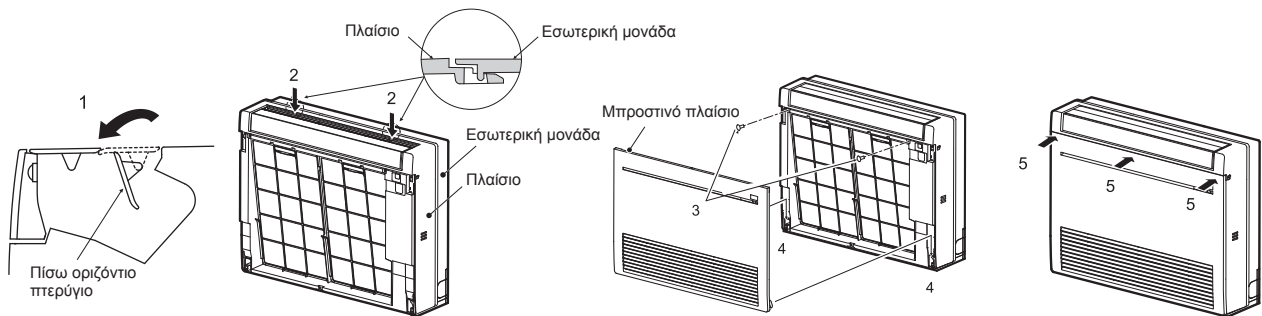
Εικ. 4



Εικ. 5

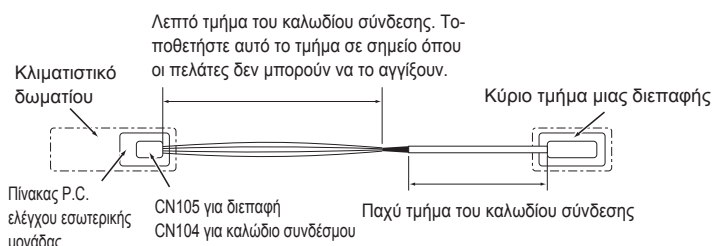
2-8. ΤΟΠΟΘΕΤΗΣΗ ΠΛΑΙΣΙΟΥ ΠΡΟΣΟΨΗΣ

- 1) Ανοίξτε την πίσω οριζόντια περσίδα.
- 2) Στερεώστε το πλαίσιο. Βεβαιωθείτε ότι τα άγκιστρα έχουν ασφαλίσει.
- 3) Στερεώστε το πλαίσιο με βίδες.
- 4) Τοποθετήστε το κάτω μέρος του μπροστινού πλαισίου.
- 5) Πιέστε 3 σημεία στο επάνω μέρος του μπροστινού πλαισίου, για να το κλείσετε.



2-9. ΣΥΝΔΕΣΗ ΔΙΕΠΑΦΗΣ (επιλογή)/ΚΑΛΩΔΙΟΥ ΣΥΝΔΕΣΜΟΥ (επιλογή) ΣΤΟ ΚΛΙΜΑΤΙΣΤΙΚΟ

- Συνδέστε μια διεπαφή/καλώδιο σύνδεσμου στον πίνακα P.C. ελέγχου της εσωτερικής μονάδας ενός κλιματιστικού με ένα καλώδιο σύνδεσης.
- Το κόψιμο ή η επέκταση του καλωδίου σύνδεσης της διεπαφής/καλωδίου σύνδεσμου θα έχει ως αποτέλεσμα σφάλματα στη σύνδεση. Μην δένετε το καλώδιο σύνδεσης μαζί με το καλώδιο τροφοδοσίας, το καλώδιο σύνδεσης εσωτερικής/εξωτερικής μονάδας και/ή το καλώδιο γείωσης. Διατηρήστε όσο το δυνατόν μεγαλύτερη απόσταση ανάμεσα στο καλώδιο σύνδεσης και σε αυτά τα καλώδια.
- Το λεπτό τμήμα του καλωδίου σύνδεσης θα πρέπει να είναι αποθηκευμένο και τοποθετημένο σε σημείο όπου οι πελάτες δεν μπορούν να το αγγίξουν.

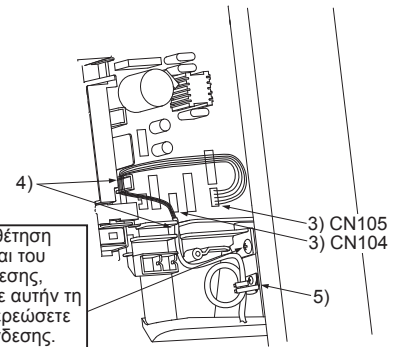


- 1) Αφαιρέστε το πλαίσιο.
- 2) Ανοίξτε το κάλυμμα του πίνακα P.C. ελέγχου της εσωτερικής μονάδας.
- 3) Συνδέστε το καλώδιο σύνδεσης με την υποδοχή CN105 ή/και την υποδοχή CN104 στον πίνακα P.C. της εσωτερικής μονάδας.
- 4) Περάστε το καλώδιο σύνδεσης από αυτό το σημείο που φαίνεται στην εικόνα.
- 5) Συνδέστε το σφιγκτήρα καλωδίου που παρέχεται με τη διεπαφή/καλώδιο συνδέσμου με το παχύ τμήμα του καλωδίου σύνδεσης με μια βίδα 4×16, όπως φαίνεται στην εικόνα.
- 6) Κλείστε το κάλυμμα του πίνακα P.C. ελέγχου της εσωτερικής μονάδας. Προσέξτε να μην πιαστεί το λεπτό τμήμα του καλωδίου σύνδεσης στο κάλυμμα. Τοποθετήστε ξανά το πλαίσιο.

⚠ ΠΡΟΕΙΔΟΠΟΙΗΣΗ

Στερεώστε σταθερά το καλώδιο σύνδεσης στην προδιαγεγραμμένη θέση. Λανθασμένη εγκατάσταση ενδέχεται να προκαλέσει ηλεκτροσόκ, φωτιά και/ή δυσλειτουργία.

Κατά την τοποθέτηση της διεπαφής και του καλωδίου σύνδεσης, χρησιμοποιήστε αυτήν τη βίδα, για να στερεώσετε το καλώδιο σύνδεσης.

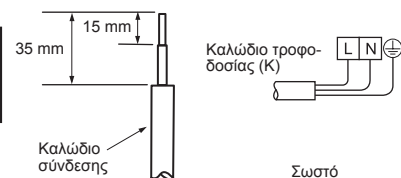
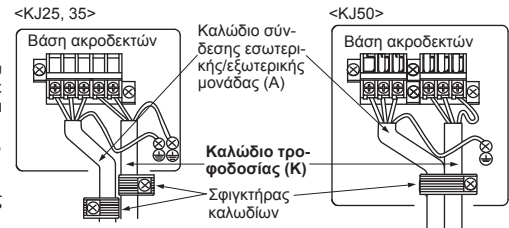


3. ΕΓΚΑΤΑΣΤΑΣΗ ΤΗΣ ΕΞΩΤΕΡΙΚΗΣ ΜΟΝΑΔΑΣ

3-1. ΣΥΝΔΕΣΗ ΚΑΛΩΔΙΩΝ ΓΙΑ ΤΗΝ ΕΞΩΤΕΡΙΚΗ ΜΟΝΑΔΑ

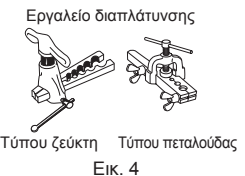
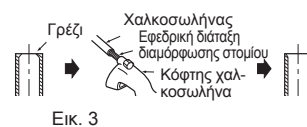
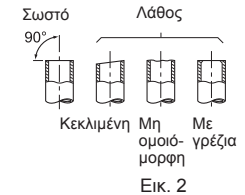
- 1) Ανοίξτε το πλαίσιο συντήρησης.
- 2) Χαλαρώστε τη βίδα στερέωσης και συνδέστε σωστά το καλώδιο σύνδεσης εσωτερικής/εξωτερικής μονάδας (A) που προέρχεται από την εσωτερική μονάδα στη βάση ακροδεκτών. Προσέξτε να μην κάνετε λάθος συνδέσεις. Στερεώστε καλά τη βάση ακροδεκτών έτσι ώστε να μην είναι εμφανές κανένα μέρος από το κυρίως τμήμα και να μην ασκείται εξωτερική πίεση στο σημείο σύνδεσης της βάσης ακροδεκτών.
- 3) Βιδώστε σφιχτά τις βίδες των ακροδεκτών για να αποφύγετε το ξεβιδωμά τους. Αφού βιδώσετε, τραβήξτε ελαφρά τα καλώδια για να βεβαιωθείτε ότι δεν κινούνται.
- 4) Συνδέστε το καλώδιο τροφοδοσίας (K).
- 5) Στερεώστε το καλώδιο σύνδεσης εσωτερικής/εξωτερικής μονάδας (A) και το καλώδιο τροφοδοσίας (K) με το σφιγκτήρα καλωδίων.
- 6) Κλείστε καλά το φάνωμα συντήρησης.

- Το καλώδιο γείωσης θα πρέπει να είναι λίγο μακρύτερο από τα υπόλοιπα. (περισσότερο από 100 mm)
- Αφήστε μεγαλύτερο μήκος στα καλώδια σύνδεσης για τη συντήρηση.
- Βεβαιωθείτε ότι έχετε προσαρτήσει κάθε βίδα στο αντίστοιχο τερματικό κατά την ασφάλιση του καλωδίου ή/και του καλωδίου του τερματικού συνόλου.

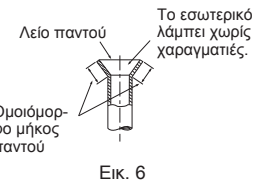
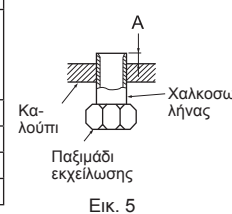


3-2. ΕΚΧΕΙΛΩΣΗ

- 1) Κόψτε σωστά το σωλήνα με ένα κόφτη σωλήνα. (Εικ. 1, 2)
- 2) Καθαρίστε εντελώς όλα τα γρέζια από την κομμένη διατομή του σωλήνα. (Εικ. 3)
 - Γυρίστε την κομμένη διατομή του σωλήνα προς τα κάτω ενώ καθαρίζετε τα γρέζια, ώστε να αποφύγετε να πέσουν γρέζια μέσα στο σωλήνα.
- 3) Αφαιρέστε τα περικόχλια εκχειλίωσης που υπάρχουν στην εσωτερική και την εξωτερική μονάδα και κατόπιν τοποθετήστε τα στους σωλήνες που έχετε ήδη καθαρίσει καλά από τα γρέζια. (Είναι αδύνατο να τα τοποθετήσετε μετά τη διαπλάτυση).
- 4) Εκχειλίωση (Εικ. 4, 5). Κρατήστε σταθερά το χαλκοσωλήνα στις διαστάσεις που υποδεικνύονται στον πίνακα. Επιλέξτε A mm από τον πίνακα, ανάλογα με το εργαλείο που χρησιμοποιείτε.
- 5) Έλεγχος
 - Συγκρίνετε την εκχειλίωση με την Εικ. 6.
 - Εάν η εκχειλίωση βρεθεί ελαττωματική, αποκόψτε αυτό το κομμάτι και επαναλάβετε τη διαδικασία.



Διάμετρος σωλήνα (mm)	Παξιμάδι (mm)	A (mm)			Κλειδί ροπής στρέψης	
		Εργαλείο τύπου συμπλέκτη για R410A	Εργαλείο τύπου συμπλέκτη για R22	Εργαλείο τύπου πεταλούδα	N*m	kgf*cm
ø6,35 (1/4")	17	0 - 0,5	1,0 - 1,5	1,5 - 2,0	13,7 - 17,7	140 - 180
ø9,52 (3/8")	22			34,3 - 41,2	350 - 420	
ø12,7 (1/2")	26			2,0 - 2,5	49,0 - 56,4	500 - 575
ø15,88 (5/8")	29				73,5 - 78,4	750 - 800



3-3. ΣΥΝΔΕΣΗ ΣΩΛΗΝΑ

- Σφίξτε το παξιμάδι εκχειλίωσης με κλειδί ροπής στρέψης όπως καθορίζεται στον παρακάτω πίνακα.
- Εάν σφίξετε πολύ, το παξιμάδι εκχειλίωσης μπορεί να σπάσει μετά από μεγάλο χρονικό διάστημα και να προκαλέσει διαρροή ψυκτικού μέσου.
- Βεβαιωθείτε ότι τυλίξατε με μονωτικό υλικό τη σωλήνωση. Η απευθείας επαφή με τη γυμνή σωλήνωση ενδέχεται να προκαλέσει εγκαύματα ή κρουπαγήματα.

Σύνδεση εσωτερικής μονάδας

- Συνδέστε τις σωληνώσεις υγρού και αερίου στην εσωτερική μονάδα.
- Εφαρμόστε ένα λεπτό στρώμα ψυκτικού λαδιού (J) στα διαπλάτυσιμα άκρα των σωλήνων. Μην χρησιμοποιείτε ψυκτικό λάδι στα σπειρώματα. Το υπερβολικό σφίξιμο θα προκαλέσει βλάβες στη βίδα.
 - Για τη σύνδεση, ευθυγραμμίστε πρώτα το κέντρο και κατόπιν σφίξτε τις 3-4 πρώτες στροφές του παξιμαδιού διαπλάτυσης.
 - Χρησιμοποιήστε τον παραπάνω πίνακα ροπής στρέψης σαν οδηγό για την ένωση τμημάτων της εσωτερικής μονάδας και σφίξτε χρησιμοποιώντας δύο κλειδιά. Η υπερβολική σύσφιξη καταστρέφει την εκχειλιωμένη διατομή.

Σύνδεση εξωτερικής μονάδας

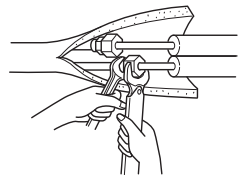
- Ενώστε τους σωλήνες στην υποδοχή της ένωσης της ανασταλτικής βαλβίδας κατά τον ίδιο τρόπο που εφαρμόστηκε στην εσωτερική μονάδα.
- Για το σφίξιμο χρησιμοποιήστε κλειδί ροπής στρέψης και χρησιμοποιήστε την ίδια ροπή στρέψης που εφαρμόστηκε για την εσωτερική μονάδα.

3-4. ΜΟΝΩΣΗ ΚΑΙ ΠΕΡΙΔΕΣΗ

- 1) Καλύψτε τις ενώσεις των σωληνώσεων με κάλυμμα.
- 2) Για την εξωτερική μονάδα, μονώστε καλά κάθε σωλήνωση, συμπεριλαμβανομένων των βαλβίδων.
- 3) Χρησιμοποιώντας ταινία περιδέσης (G), εφαρμόστε την ταινία αρχίζοντας από την είσοδο της εξωτερικής μονάδας.
 - Καλύψτε το τέλος της ταινίας περιδέσης (G) με κολλητική ταινία.
 - Όταν η διάταξη των σωληνώσεων πρέπει να γίνει διαμέσου ταβανιών, ντουλαπιών ή οπουδήποτε η θερμοκρασία και η υγρασία είναι μεγάλη, περιτυλίξτε επιπλέον μόνωση του εμπορίου για την αποφυγή συμπυκνώσεων.

⚠ ΠΡΟΕΙΔΟΠΟΙΗΣΗ

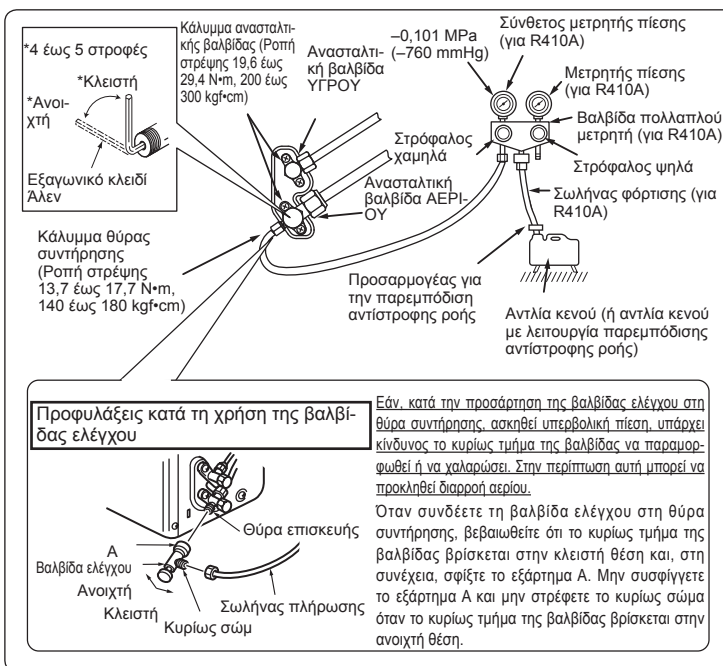
Κατά την εγκατάσταση της μονάδας, συνδέστε με ασφάλεια τους ψυκτικούς σωλήνες πριν θέσετε σε λειτουργία το συμπιεστή.



4. ΔΙΑΔΙΚΑΣΙΕΣ ΚΑΘΑΡΙΣΜΟΥ, ΔΟΚΙΜΗ ΔΙΑΡΡΟΗΣ ΚΑΙ ΕΛΕΓΧΟΣ ΛΕΙΤΟΥΡΓΙΑΣ

4-1. ΔΙΑΔΙΚΑΣΙΕΣ ΚΑΘΑΡΙΣΜΟΥ ΚΑΙ ΔΟΚΙΜΗ ΔΙΑΡΡΟΗΣ

- 1) Αφαιρέστε το κάλυμμα της θύρας συντήρησης της ανασταλτικής βαλβίδας από την πλευρά των σωληνών της εξωτερικής μονάδας. (Στην αρχική κατάσταση, οι ανασταλτικές βαλβίδες είναι πλήρως κλειστές και καλυμμένες με καπάκι.)
- 2) Συνδέστε τη βαλβίδα του πολλαπλού μετρητή και την αντλία κενού στη θύρα συντήρησης της ανασταλτικής βαλβίδας στην πλευρά του σωλήνα αερίου της εξωτερικής μονάδας.
- 3) Λειτουργήστε την αντλία κενού. (Λειτουργήστε για περισσότερα από 15 λεπτά.)
- 4) Ελέγξτε το κενό με τη βαλβίδα πολλαπλού μετρητή, κλείστε την και διακόψτε τη λειτουργία της αντλίας κενού.
- 5) Αφήστε την όπως είναι για ένα με δύο λεπτά. Βεβαιωθείτε ότι η βελόνα του πολλαπλού μετρητή βαλβίδας παραμένει στην ίδια θέση. Επιβεβαιώστε ότι ο μετρητής δείχνει $-0,101 \text{ MPa}$ [Μετρητής] (-760 mmHg).
- 6) Αφαιρέστε γρήγορα τον πολλαπλό μετρητή βαλβίδας από τη θύρα συντήρησης της ανασταλτικής βαλβίδας.
- 7) Αφού οι σωλήνες ψυκτικού συνδεθούν και εκκενωθούν, ανοίξει εντελώς και στις δύο πλευρές όλες τις ανασταλτικές βαλβίδες του σωλήνα αερίου και του σωλήνα υγρού. Η λειτουργία χωρίς να είναι ανοικτές οι βαλβίδες μειώνει την απόδοση και δημιουργεί προβλήματα.
- 8) Ανατρέξτε στα βήματα 1-3, και, εάν χρειάζεται, πληρώστε με την υποδεικνυόμενη ποσότητα ψυκτικού. Βεβαιωθείτε ότι η πλήρωση με υγρό ψυκτικό πραγματοποιείται σε αργό ρυθμό. Διαφορετικά, ενδέχεται να αλλάξει η σύνθεση του ψυκτικού στο σύστημα και να επηρεαστεί η απόδοση του κλιματιστικού.
- 9) Σφίξτε το κάλυμμα της θύρας συντήρησης ώστε να επανέλθει στην αρχική κατάσταση.
- 10) Δοκιμή διαρροής



4-2. ΕΛΕΓΧΟΣ ΛΕΙΤΟΥΡΓΙΑΣ

Βεβαιωθείτε ότι έχουν γίνει τα εξής.

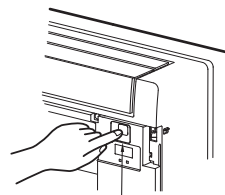
- Το φάνωμα έχει τοποθετηθεί σωστά.
- Η εσωτερική και η εξωτερική μονάδα έχουν τοποθετηθεί σωστά και τροφοδοτείται ρεύμα.

- 1) Πατήστε το διακόπτη έκτακτης λειτουργίας (E.O. SW) για λειτουργία ΨΥΞΗΣ (COOL) και δύο φορές για λειτουργία ΘΕΡΜΑΝΣΗΣ (HEAT). Διενεργείται έλεγχος λειτουργίας διάρκειας 30 λεπτών. Εάν η λυχνία ένδειξης λειτουργίας στην αριστερή πλευρά αναβοσβήνει κάθε 0,5 δευτερόλεπτα, ελέγξτε την εσωτερική/εξωτερική σύνδεση καλωδίων (A) για τυχόν λανθασμένη σύνδεση. Μετά τον έλεγχο λειτουργίας ξεκινάει η λειτουργία έκτακτης ανάγκης (emergency mode) (θερμοκρασία ρύθμισης 24°C).
- 2) Για να διακόψετε τη συγκεκριμένη λειτουργία, πατήστε το διακόπτη λειτουργίας έκτακτης ανάγκης (E.O. SW) αρκετές φορές έως ότου σβήσουν όλες οι λυχνίες LED. Για λεπτομέρειες ανατρέξτε στις οδηγίες λειτουργίας.

Έλεγχος της λήψης απομακρυσμένου (υπέρουθρου) σήματος

Πατήστε το κουμπί ON/OFF στο τηλεχειριστήριο (12) και ελέγξτε αν ακούγεται ένας ηλεκτρονικός ήχος από την εσωτερική μονάδα. Πατήστε ξανά το κουμπί ON/OFF για να απενεργοποιήσετε το κλιματιστικό.

- Από τη στιγμή που θα σταματήσει ο συμπιεστής, ο μηχανισμός προστασίας επανεκκίνησης λειτουργεί έτσι ώστε ο συμπιεστής να μην λειτουργεί για 3 λεπτά και να προστατεύεται το κλιματιστικό.



Διακόπτης λειτουργίας έκτακτης ανάγκης (E.O. SW)

4-3. ΛΕΙΤΟΥΡΓΙΑ ΑΥΤΟΜΑΤΗΣ ΕΠΑΝΕΚΚΙΝΗΣΗΣ (AUTO RESTART FUNCTION)

Το προϊόν αυτό διαθέτει λειτουργία αυτόματης επανεκκίνησης. Εάν κατά τη διάρκεια της λειτουργίας διακοπεί η τροφοδοσία, λ.χ. σε περίπτωση μπλόκαουτ, τότε η λειτουργία αρχίζει αυτόματα στην τελευταία ρύθμιση μόλις αποκατασταθεί η τροφοδοσία. (Ανατρέξτε στις οδηγίες λειτουργίας για λεπτομέρειες).

Προσοχή:

- Μετά την ολοκλήρωση του ελέγχου λειτουργίας ή του ελέγχου λήψης απομακρυσμένου σήματος, απενεργοποιήστε τη μονάδα από το διακόπτη E.O. SW ή από το τηλεχειριστήριο προτού διακόψετε την τροφοδοσία. Διαφορετικά, η μονάδα θα τεθεί αυτόματα σε λειτουργία με την αποκατάσταση της τροφοδοσίας.

Για το χρήστη

- Αφού εγκαταστήσετε τη μονάδα, βεβαιωθείτε ότι έχετε εξηγήσει στο χρήστη τη λειτουργία αυτόματης επανεκκίνησης.
- Εάν η λειτουργία αυτόματης επανεκκίνησης δεν σας χρειάζεται, μπορείτε να την απενεργοποιήσετε. Συμβουλευτείτε τον αντιπρόσωπο σέρβις σχετικά με την απενεργοποίηση της λειτουργίας. Για λεπτομέρειες ανατρέξτε στο εγχειρίδιο συντήρησης.

4-4. ΔΙΕΥΚΡΙΝΙΣΕΙΣ ΓΙΑ ΤΟ ΧΡΗΣΤΗ

- Στις ΟΔΗΓΙΕΣ ΛΕΙΤΟΥΡΓΙΑΣ διευκρινίζεται ο τρόπος χρήσης του κλιματιστικού (χρήση του τηλεχειριστηρίου, αφαίρεση των φίλτρων αέρα, αφαίρεση ή τοποθέτηση του τηλεχειριστηρίου στη βάση στήριξης, καθαρισμός, προφυλάξεις κατά τη λειτουργία, κλπ.)
- Υποδείξτε στο χρήστη να διαβάσει προσεκτικά τις ΟΔΗΓΙΕΣ ΛΕΙΤΟΥΡΓΙΑΣ.

5. ΣΥΜΠΙΕΣΗ

Όταν πρόκειται να αλλάξετε θέση ή να πετάξετε το κλιματιστικό, συμπιέστε το σύστημα ακολουθώντας την παρακάτω διαδικασία έτσι ώστε να μην απελευθερωθεί ψυκτικό στην ατμόσφαιρα.

- 1) Συνδέστε τη βαλβίδα του πολλαπλού μετρητή στη θύρα συντήρησης της ανασταλτικής βαλβίδας στην πλευρά του σωλήνα αερίου της εξωτερικής μονάδας.
- 2) Κλείστε πλήρως την ανασταλτική βαλβίδα στην πλευρά του σωλήνα ψυκτικού υγρού της εξωτερικής μονάδας.
- 3) Κλείστε σχεδόν τελείως την ανασταλτική βαλβίδα στην πλευρά του σωλήνα αερίου της εξωτερικής μονάδας έτσι ώστε να μπορείτε να την κλείσετε εύκολα όταν ο μετρητής πίεσης δείξει 0 MPa [Μετρητής] (0 kgf/cm^2).
- 4) Εκκινήστε τη λειτουργία ΨΥΞΗΣ Έκτακτης Ανάγκης (emergency cool operation). Για να ξεκινήσετε λειτουργία ΨΥΞΗΣ Έκτακτης Ανάγκης (emergency cool operation), απουσυνδέστε την πρίζα παροχής ρεύματος και κλείστε τον ασφαλειοδιακόπτη. Μετά από 15 δευτερόλεπτα, συνδέστε την πρίζα παροχής ρεύματος και/ή ανοίξτε τον ασφαλειοδιακόπτη και μετά πατήστε μία φορά το διακόπτη έκτακτης λειτουργίας (E.O. SW). (Η λειτουργία ΨΥΞΗΣ Έκτακτης Ανάγκης (emergency cool operation) μπορεί να εκτελείται συνεχώς μέχρι και για 30 λεπτά.)
- 5) Κλείστε πλήρως την ανασταλτική βαλβίδα στην πλευρά σωλήνα αερίου της εξωτερικής μονάδας όταν ο μετρητής πίεσης δείξει $0,05$ έως 0 MPa [Μετρητής] (περίπου $0,5$ έως 0 kgf/cm^2).
- 6) Σταματήστε τη λειτουργία ΨΥΞΗΣ Έκτακτης Ανάγκης (emergency cool operation). Πατήστε δύο φορές το διακόπτη έκτακτης λειτουργίας (E.O. SW) για να σταματήσετε τη λειτουργία.

⚠ ΠΡΟΕΙΔΟΠΟΙΗΣΗ

Κατά την εκκένωση του ψυκτικού, σταματήστε το συμπιεστή πριν απουσυνδέσετε τις ψυκτικές σωληνώσεις. Ο συμπιεστής ενδέχεται να εκραγεί εάν μέσα του εισέλθει αέρας κτλ.

ÍNDICE

1. ANTES DA INSTALAÇÃO.....	1
2. INSTALAÇÃO DA UNIDADE INTERIOR.....	3
3. INSTALAÇÃO DA UNIDADE EXTERIOR.....	6
4. PROCEDIMENTOS DE PURGA, TESTE DE FUGAS E TESTE DE FUNCIONAMENTO.....	7
5. BOMBAGEM.....	7

Os nomes dos modelos são indicados em 1-3.

Ferramentas Necessárias para a Instalação

Chave de parafusos Phillips	Chave hexagonal de 4 mm
Nível	Abocardador para tubos R410A
Escala	Tubo de manómetro para R410A
Faca ou tesoura	Bomba de vácuo para R410A
Serra de trépano de classe 25, 35 com 65 mm/de classe 50 com 75 mm	Mangueira de abastecimento para R410A
Chave dinamométrica	Cortador de tubos com alargador
Chave (por exemplo, chave inglesa)	

1. ANTES DA INSTALAÇÃO

1-1. POR QUESTÕES DE SEGURANÇA, CUMPRA SEMPRE AS SEGUINTE INDICAÇÕES

- Leia a secção "POR QUESTÕES DE SEGURANÇA, CUMPRA SEMPRE AS SEGUINTE INDICAÇÕES" antes de instalar o aparelho de ar condicionado.
- Cumpra as indicações de aviso e cuidado apresentadas nesta secção, pois incluem informações de segurança importantes.
- Depois de ler este manual, guarde-o juntamente com as INSTRUÇÕES DE OPERAÇÃO para referência futura.

⚠ AVISO

(Pode causar a morte, ferimentos graves, etc.)

- **Não faça você mesmo a instalação (utilizador).** Uma instalação incompleta pode causar incêndios, choques eléctricos, ferimentos devidos à queda da unidade ou fuga de água. Consulte o seu revendedor ou um instalador autorizado.
- **A instalação deve ser efectuada de forma segura, consultando o manual de instalação.** Uma instalação incompleta pode causar incêndios, choques eléctricos, ferimentos devidos à queda da unidade ou fuga de água.
- **Quando instalar a unidade, garanta a segurança usando equipamento de protecção e ferramentas adequados.** Se não o fizer, poderá provocar ferimentos.
- **Instale correctamente a unidade num local que suporte o peso da mesma.** Se o local de instalação não suportar o peso da unidade, esta pode cair e causar ferimentos.
- **A instalação eléctrica deve ser efectuada por um electricista qualificado e experiente, em conformidade com o manual de instalação.** Deve utilizar um circuito exclusivo. Não ligue outros aparelhos ao circuito. Se a capacidade do circuito de alimentação for insuficiente ou a instalação eléctrica for incorrecta, isso pode resultar num incêndio ou choque eléctrico.
- **Ligue a unidade à terra correctamente.** Não ligue o fio de terra a um tubo de gás, tubo de água, haste de para-raios ou fio de terra de um telefone. Uma ligação incorrecta à terra pode provocar choque eléctrico.
- **Não danifique os fios ao aplicar pressão excessiva com peças ou parafusos.** Os fios danificados podem causar incêndio ou choque eléctrico.
- **Certifique-se de que corta a corrente eléctrica principal no caso de proceder à instalação da placa de circuito impresso interna ou a trabalhos de instalação eléctrica.** O incumprimento desta recomendação pode causar choque eléctrico.
- **Utilize os fios especificados para ligar as unidades interior e exterior de forma segura e ligue bem os fios às secções de ligação do bloco de terminais, de modo a que a tensão dos fios não seja aplicada às secções.** Não faça nenhuma extensão dos fios nem utilize uma ligação intermédia. Uma ligação ou fixação incorrecta pode provocar um incêndio.
- **Não instale a unidade em locais onde possa existir uma fuga de gás inflamável.** Se ocorrer uma fuga de gás e este se acumular em redor da unidade pode provocar uma explosão.
- **Não utilize uma ligação intermediária do cabo de alimentação nem um cabo de extensão e não ligue muitos dispositivos à mesma tomada CA.** Isso poderia causar um incêndio ou um choque eléctrico devido a um contacto defeituoso, isolamento defeituoso, excesso da corrente permissível, etc.
- **Utilize as peças fornecidas ou as peças especificadas para o trabalho de instalação.** A utilização de peças defeituosas pode causar ferimentos ou a fuga de água devido a um incêndio, choque eléctrico, queda da unidade, etc.
- **Quando ligar a ficha do cabo de alimentação na tomada, verifique se não há pó, obstruções nem peças soltas na tomada e na ficha.** Verifique se a ficha do cabo de alimentação está completamente inserida na tomada. Se houver pó, obstruções ou peças soltas na ficha do cabo de alimentação ou na tomada, poderá ocorrer choque eléctrico ou incêndio. Se detectar peças soltas na ficha do cabo de alimentação, proceda à respectiva substituição.
- **Coloque a tampa da parte eléctrica na unidade interior e o painel de serviço na unidade exterior de forma segura.** Se a tampa da parte eléctrica da unidade interior e/ou o painel de serviço da unidade exterior não forem devidamente colocados, poderá ocorrer um incêndio ou um choque eléctrico devido à existência de pó, água, etc.
- **Quando efectuar operações de instalação, reinstalação ou manutenção, certifique-se de que não entra nenhuma substância na unidade para além do refrigerante especificado (R410A) no respectivo circuito.** A presença de substâncias estranhas, tal como ar, pode causar um aumento anormal da pressão ou resultar em explosão ou ferimentos. A utilização de um refrigerante diferente do indicado para o sistema resultará em falha mecânica, mau funcionamento do sistema ou avaria na unidade. No pior dos cenários, poderá constituir uma ameaça grave à segurança do produto.
- **Não descarregue o refrigerante para a atmosfera. Se ocorrer fuga de refrigerante durante a instalação, ventile a divisão.** Se o refrigerante entrar em contacto com fogo, serão libertados gases nocivos. As fugas de refrigerante podem provocar asfixia. Proporcione ventilação de acordo com a EN378-1.
- **Certifique-se de que não existem fugas de gás refrigerante depois de concluída a instalação.** Se ocorrer uma fuga de gás refrigerante num local interior e o gás entrar em contacto com a fiação de um termoventilador, aquecedor, fogão, etc., poderão ser geradas substâncias nocivas.
- **Utilize ferramentas e materiais de canalização adequados para a instalação.** A pressão do R410A é 1,6 vezes superior à do R22. A não utilização de ferramentas ou materiais adequados e a instalação incompleta podem causar o rebentamento dos tubos ou ferimentos.
- **Quando proceder à bombagem do refrigerante, desligue o compressor antes de desligar os tubos de refrigerante.** Se desligar os tubos de refrigerante com o compressor em funcionamento e a válvula de retenção estiver aberta, pode entrar ar e a pressão do ciclo de refrigeração pode ficar invulgarmente elevada. Isto poderá provocar o rebentamento dos tubos e ferimentos.
- **Quando instalar a unidade, ligue os tubos de refrigerante firmemente antes de ligar o compressor.** Se o compressor for ligado antes de os tubos de refrigerante estarem ligados e se a válvula de retenção estiver aberta, pode entrar ar e a pressão do ciclo de refrigeração pode ficar invulgarmente elevada. Isto poderá provocar o rebentamento dos tubos e ferimentos.
- **Aperte a porca de abocardamento com uma chave dinamométrica, conforme o especificado neste manual.** Se for demasiado apertada, a porca pode partir passado um longo período de tempo e provocar a fuga de refrigerante.
- **A unidade deve ser instalada de acordo com os regulamentos nacionais relativos a instalações eléctricas.**

⚠ CUIDADO

(Poderão causar ferimentos graves em determinados ambientes se a utilização for incorrecta.)

- **Instale um disjuntor de fuga para terra, dependendo do local onde o aparelho de ar condicionado for instalado.** Deixar de instalar um disjuntor de fuga para terra pode provocar choque eléctrico.
- **Efectue os trabalhos de drenagem/tubagem de forma segura, de acordo com o manual de instalação.** Se a drenagem/tubagem for efectuada incorrectamente, pode cair água da unidade, molhando e danificando os bens da casa.
- **Não toque na entrada de ar nem nas palhetas de alumínio da unidade exterior.** Isto poderá provocar ferimentos.
- **Não instale a unidade exterior em locais onde possam viver pequenos animais.** Se animais pequenos entrarem ou tocarem nos componentes eléctricos no interior da unidade, podem provocar uma avaria, emissão de fumo ou um incêndio. Deve também aconselhar o utilizador a manter a área em torno da unidade limpa.

1-2. ESCOLHA DO LOCAL DE INSTALAÇÃO

UNIDADE INTERIOR

- Locais onde o fluxo de ar não fique bloqueado.
- Locais onde o ar se possa espalhar por toda a divisão.
- Parede rígida sem vibração.
- Locais onde não haja exposição directa ao sol. Evitar a exposição directa ao sol também desde a desembalagem até à utilização.
- Locais de fácil drenagem.
- A uma distância de 1 m ou mais do televisor e do rádio. O funcionamento do ar condicionado pode interferir com a recepção do sinal de rádio ou de televisão. Pode ser necessário um amplificador para o aparelho afectado.
- Locais o mais afastados possível de lâmpadas fluorescentes e incandescentes (para que o controlo remoto de infravermelhos possa funcionar normalmente).
- Locais onde o filtro de ar possa ser removido e recolocado facilmente.

CONTROLO REMOTO

- Onde seja fácil de ver e utilizar.
- Fora do alcance das crianças.
- Selecione a posição onde à unidade interior pode receber adequadamente o sinal do controlo remoto. Verifique se a unidade interior recebe os sinais do controlo remoto a partir dessa posição (sons de recepção "bip" ou "bip bip"). Em seguida, fixe a caixa de instalação do controlo remoto a um pilar ou a uma parede e instale o controlo remoto sem fios.

Nota:

Em locais com lâmpadas fluorescentes de tipo inversor, o sinal do controlo remoto pode não ser recebido.

UNIDADE EXTERIOR

- Locais onde não haja exposição a ventos fortes.
- Locais onde o fluxo de ar seja bom e não exista pó.
- Locais onde se evite o mais possível a exposição à chuva ou à luz solar directa.
- Locais onde o som de funcionamento e o ar quente não incomodem os vizinhos.
- Locais onde haja uma parede ou suporte rígido para evitar o aumento do som de funcionamento ou da vibração.
- Locais onde não haja risco de fugas de combustível ou gás.
- Ao instalar a unidade numa posição elevada, fixe os apoios da unidade.
- Locais que fiquem a uma distância mínima de 3 m do televisor e do rádio. O funcionamento do ar condicionado pode interferir com a recepção do sinal de rádio ou TV em locais onde a recepção seja fraca. Pode ser necessário um amplificador para o aparelho afectado.
- Instale a unidade na horizontal.
- Instale a unidade numa zona não afectada pela queda de neve. Em zonas de nevões intensos, instale um resguardo, um pedestal e/ou algumas protecções.

Nota:

Recomenda-se que seja efectuada uma curva na tubagem junto à unidade exterior para reduzir a vibração transmitida.

Nota:

Se utilizar o aparelho de ar condicionado a uma temperatura exterior baixa, siga as instruções apresentadas em seguida.

- Nunca instale a unidade exterior num local onde a saída/entrada de ar fique directamente exposta ao vento.
- Para evitar a exposição ao vento, instale a unidade exterior com o lado da entrada de ar virado para a parede.
- Para evitar a exposição ao vento, recomenda-se a instalação de uma protecção no lado da saída de ar da unidade exterior. Evite efectuar a instalação nos locais apresentados em seguida, pois estes são propensos à ocorrência de problemas com o aparelho de ar condicionado.
- Locais onde possam existir fugas de gás inflamável.
- Locais onde haja muito óleo de máquinas.
- Locais sujeitos a salpicos de óleo ou áreas com fumos oleosos (como, por exemplo, áreas de restauração e fábricas, nas quais as propriedades do plástico podem ser alteradas ou danificadas).
- Locais expostos a ar salgado, tais como locais à beira-mar.
- Locais onde se produza gás sulfuroso, tal como em nascentes de água quente.
- Locais onde existam equipamentos de alta frequência ou sem fios.
- Nos locais sujeitos a emissão de níveis elevados de COV, incluindo compostos de ftalato, formaldeído, etc., susceptível de causar intoxicação química.

1-3. ESPECIFICAÇÕES

Modelo		Alimentação *1			Especificações dos fios *2		Tamanho do tubo (espessura *3, *4)
Unidade interior	Unidade exterior	Voltagem Nominal	Frequência	Capacidade do disjuntor	Alimentação (3 condutores)	Fio de ligação da unidade interior/exterior	Gás / Líquido
MFZ-KJ25VE	MUFZ-KJ25VE(HZ)	230 V	50 Hz	10 A	1,0 mm ²	4 condutores, 2,0 mm ²	ø9,52 / 6,35 mm (0,8 mm)
MFZ-KJ35VE	MUFZ-KJ35VE			12 A	1,5 mm ²		
MFZ-KJ35VE	MUFZ-KJ35VEHZ			16 A	2,0 mm ²		
MFZ-KJ50VE	MUFZ-KJ50VE(HZ)						ø12,7 / 6,35 mm (0,8 mm)

(KJ25, 35/KJ50)

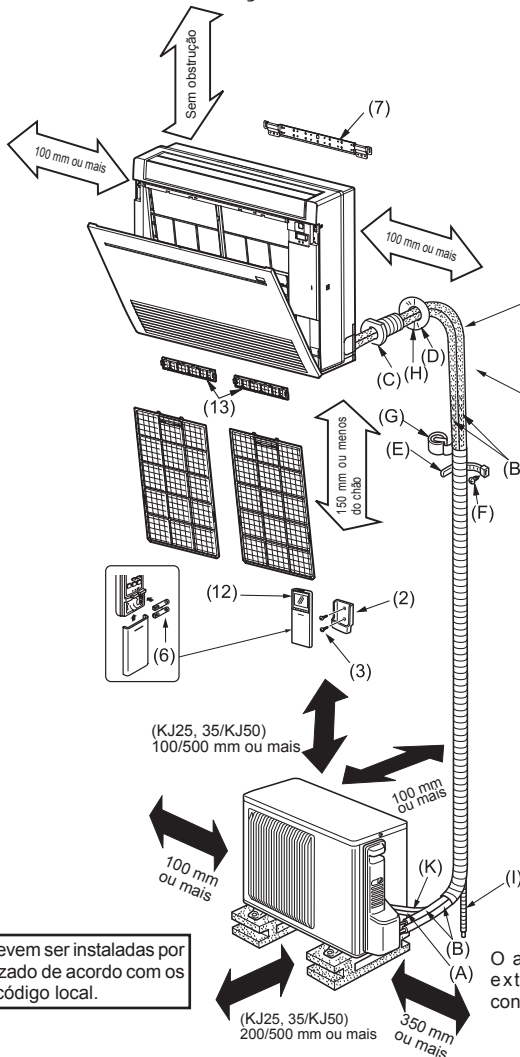
Comprimento do tubo e diferença de altura	
Comprimento máx. do tubo	20/30 m
Diferença máx. de altura	12/15 m
Número máx. de curvas *5, *6	10
Ajuste do refrigerante A *7	30/20 g/m
Insulation thickness *8, *9	8 mm

*1 Ligue a um interruptor de alimentação que tenha uma folga de 3 mm ou mais quando aberto para interromper a fase da fonte de alimentação. (Quando o interruptor de alimentação for desligado, deve desligar todas as fases.)
 *2 Utilize fios em conformidade com a norma IEC 60245 - 57.
 *3 Nunca utilize tubos de espessura inferior à especificada. A resistência à pressão será insuficiente.
 *4 Utilize um tubo de cobre ou de liga de cobre integral.

*5 Tenha cuidado para não danificar o tubo quando o dobrar.
 *6 O raio de curvatura do tubo refrigerante deve ser de 100 mm ou mais.
 *7 Se o comprimento do tubo for superior a 7 m, é necessária uma carga adicional de refrigerante (R410A). (Não é necessária qualquer carga adicional se o comprimento do tubo for inferior a 7 m.)
 Refrigerante adicional = A × (comprimento do tubo (m) - 7)

*8 Material de isolamento: plástico espumoso antitérmico com gravidade específica de 0,045
 *9 Certifique-se de que é utilizado o isolamento com a espessura especificada. Uma espessura excessiva pode causar a instalação incorrecta da unidade interior e uma espessura insuficiente pode provocar a queda de gotas de condensação.

1-4. DIAGRAMA DE INSTALAÇÃO

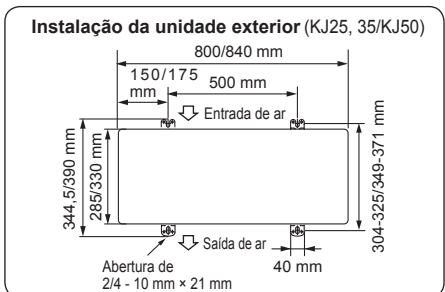


Certifique-se de que utiliza a manga do orifício de parede (C) para evitar o contacto do fio de ligação interior/exterior (A) com as partes metálicas da parede e para evitar danos provocados por roedores, no caso de a parede ser oca.

Corte o comprimento extra.

Após efectuar o teste de fugas, aplique bem o material de isolamento para eliminar quaisquer folgas.

Quando tiver de fixar a tubagem a uma parede que contenha partes metálicas (estanhadas) ou uma rede de metal, utilize uma peça de madeira tratada quimicamente, com 20 mm ou mais de espessura, colocando-a entre a parede e a tubagem, ou enrole 7 a 8 voltas de fita vinílica de isolamento em redor da tubagem. Para utilizar a tubagem existente, execute a operação de ARREFECIMENTO durante 30 minutos e bombeie o sistema antes de retirar o antigo aparelho de ar condicionado. Volte a fazer o trabalho de abocardamento de acordo com a dimensão para o novo refrigerante.



As unidades devem ser instaladas por pessoal autorizado de acordo com os requisitos do código local.

O aspecto da unidade exterior pode variar consoante os modelos.

Tubagem de drenagem para unidade exterior <Apenas tipo VE>

- Instale a tubagem de drenagem antes de efectuar a ligação da tubagem interior e exterior.
- Ligue a mangueira de drenagem (I) com diâmetro interno de 15 mm conforme ilustra a figura.
- Certifique-se de que instala uma tubagem de drenagem com pendente para facilitar a drenagem.

Nota:
 Instale a unidade na horizontal. Não utilize um bocal de drenagem (14) em regiões frias. A drenagem pode congelar e fazer parar a ventoinha. A unidade exterior produz condensação durante a operação de aquecimento. Seleccione o local de instalação de forma a evitar que a unidade exterior e/ou o chão fiquem húmidos devido à água de drenagem ou danificados por água de drenagem congelada.

ACESSÓRIOS

Verifique as seguintes peças antes da instalação.

(1) Mangueira de drenagem*	1
(2) Caixa de instalação do controlo remoto	1
(3) Parafuso de fixação para (2) 3,5 x 16 mm (Preto)	2
(4) Tampa do tubo	1
(5) Banda	2
(6) Pilha (AAA) para (12)	2
(7) Suporte de montagem da unidade interior	1
(8) Parafuso de fixação para (7) 4 x 25 mm	5
(9) Parafuso de madeira para fixação da unidade interior	4
(10) Anilha de (9)	4
(11) Fita de feltro (utilizada para a tubagem esquerda ou esquerda-posterior)	1
(12) Controlo remoto sem fio	1
(13) Filtro de limpeza do ar	2

PEÇAS A PROVIDENCIAR NO LOCAL

(A) Fio de ligação da unidade interior/exterior*	1
(B) Tubo de extensão	1
(C) Manga do orifício de parede	1
(D) Tampa do orifício da parede	1
(E) Peça de fixação do tubo	2 - 5
(F) Parafuso de fixação para (E) 4 x 20 mm	2 - 5
(G) Fita para a tubagem	1
(H) Betume	1
(I) Mangueira de drenagem (ou mangueira maleável em PVC com diâmetro interno de 15 mm ou tubo rígido VP16 em PVC)	1 ou 2
(J) Óleo refrigerante	1
(K) Cabo de alimentação*	1

* Nota:
 A mangueira de drenagem está ligada à unidade. <Unidade exterior>
 (14) Bocal de drenagem (apenas tipo VE) 1

* Nota:
 Coloque o fio de ligação da unidade interior/exterior (A) e o cabo de alimentação (K) a, pelo menos, 1 m de distância do cabo da antena do televisor.

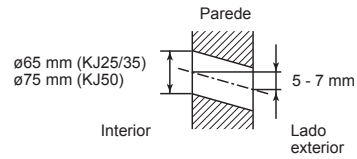
2. INSTALAÇÃO DA UNIDADE INTERIOR

2-1. FIXAÇÃO DO SUPORTE DE MONTAGEM DA UNIDADE INTERIOR

- Escolha uma zona rígida da parede (tal como uma viga) e fixe o suporte (7) na horizontal com os parafusos de fixação (8).
- Para evitar a vibração do suporte (7), certifique-se de que instala os parafusos de fixação nos orifícios indicados na figura. Para obter uma maior sustentação, também é possível instalar parafusos de fixação noutros orifícios.

2-2. PERFURAÇÃO DO ORIFÍCIO

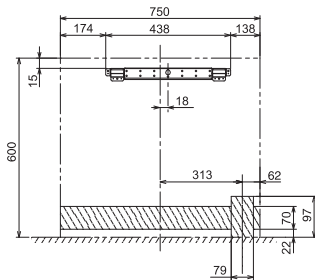
- 1) Determine a posição do orifício na parede.
- 2) Faça um orifício com 65 mm de diâmetro (diâ. de 75 mm para KJ50). O lado exterior deve ficar 5 a 7 mm abaixo do lado interior.
- 3) Insira a manga do orifício de parede (C).



POSICIONAMENTO DOS ORIFÍCIOS

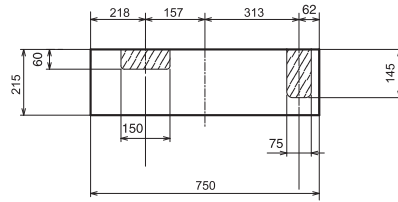
PARA TUBAGEM POSTERIOR OU ESQUERDA-POSTERIOR

(A figura que se segue é uma vista frontal do local de instalação da unidade interior.)

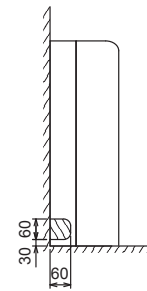


PARA TUBAGEM PARA BAIXO OU ESQUERDA PARA BAIXO

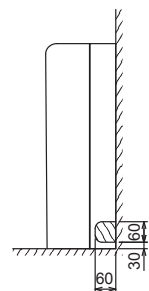
(A figura que se segue é uma vista da parte de baixo da unidade interior.)



PARA TUBAGEM ESQUERDA



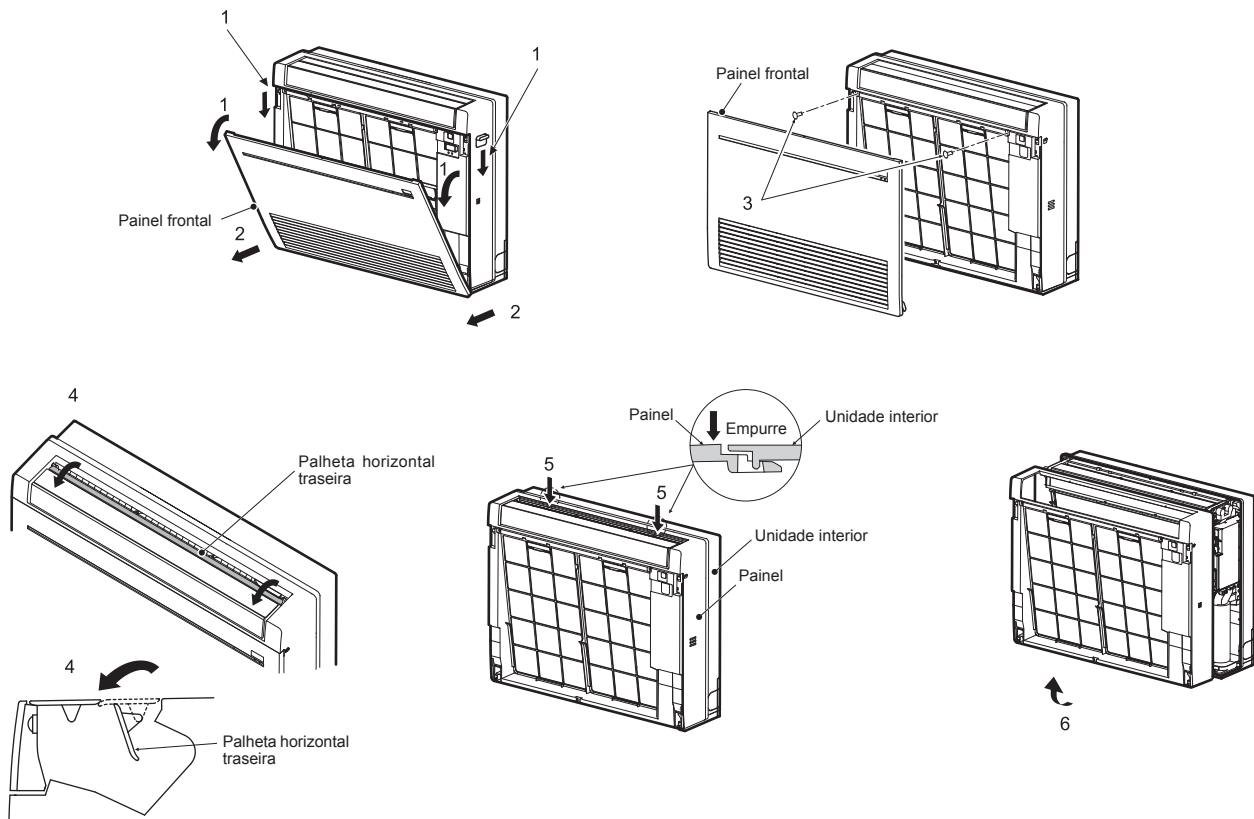
PARA TUBAGEM DIREITA



2-3. PREPARAÇÃO DA UNIDADE INTERIOR

Remova o painel frontal da unidade interior.

- 1) Prima para baixo as patilhas de ambos os lados da unidade para abrir o painel frontal.
- 2) Puxe o painel frontal na sua direcção para removê-lo.
- 3) Retire os 2 parafusos.
- 4) Abra a palheta horizontal traseira.
- 5) Prima os 2 locais no topo do painel e depois puxe a parte superior do painel na sua direcção.
- 6) Retire o painel ao mesmo tempo que o levanta (ligeiramente).



2-4. INSTALAÇÃO DA UNIDADE INTERIOR

2-4-1. INSTALAÇÃO DA UNIDADE INTERIOR NO CHÃO

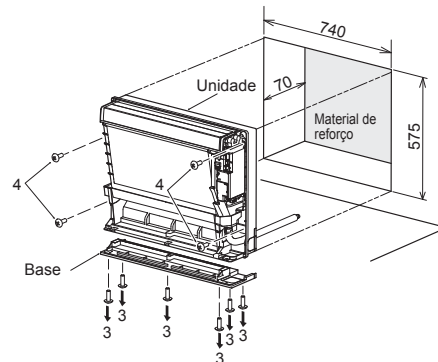
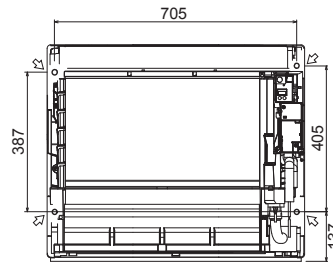
1. Coloque a unidade interior em chão plano.
2. Fixe a unidade interior nos 4 pontos com os parafusos de madeira (9) e anilhas (10) incluídos. Aperte bem os parafusos.

2-4-2. MONTAGEM DA UNIDADE INTERIOR NA PAREDE

1. Engate a parte de cima da unidade interior ao respectivo suporte de montagem (7).
2. Fixe a unidade interior nos 4 pontos com os parafusos de madeira (9) e anilhas (10) incluídos. Aperte bem os parafusos.

2-4-3. INSTALAÇÃO DA UNIDADE INTERIOR EMBUTIDA NUMA PAREDE

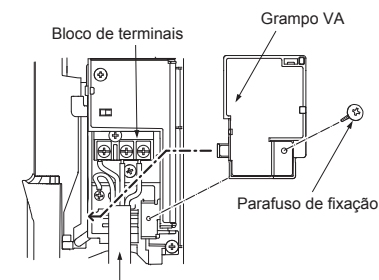
1. Abra um buraco na parede.
2. Com material de reforço, ajuste a profundidade.
3. Retire os 6 parafusos que fixam a base à unidade. Retire a base da unidade.
4. Fixe a unidade interior nos 4 pontos com os parafusos de madeira (9) e anilhas (10) incluídos. Aperte bem os parafusos.



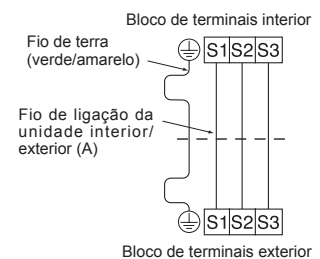
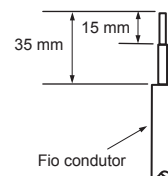
2-5. LIGAÇÃO DOS FIOS PARA A UNIDADE INTERIOR

- 1) Retire o grampo VA.
- 2) Passe o fio de ligação da unidade interior/exterior (A) da parte posterior da unidade interior e prepare a extremidade do fio.
- 3) Desaperte o parafuso do terminal e ligue primeiro o fio de terra e, em seguida, o fio de ligação da unidade interior/exterior (A) ao bloco de terminais. Tenha cuidado para não efectuar ligações incorrectas. Fixe bem o fio no bloco de terminais de forma a que nenhuma parte do núcleo fique visível e não seja exercida qualquer força externa na secção de ligação do bloco de terminais.
- 4) Aperte bem os parafusos dos terminais para evitar que se desapertem. Depois de apertar, puxe os fios ligeiramente e verifique se não se movem.
- 5) Fixe o fio de ligação da unidade interior/exterior (A) e o fio de terra com o grampo VA. Nunca se esqueça de prender o gancho esquerdo do grampo VA. Prenda bem o grampo VA.

- O fio de terra deve ficar ligeiramente mais comprido do que os outros. (Mais de 45 mm)
- Para manutenção futura, os fios de ligação devem ficar com um comprimento extra.
- Não dobre o excedente de fio nem o amontoe em espaços pequenos. Tenha cuidado para não danificar os fios.
- Certifique-se de que coloca cada parafuso no respectivo terminal ao fixar o cabo e/ou o fio ao bloco de terminais.



Fio de ligação da unidade interior/exterior (A)



2-6. MODELAÇÃO E INSTALAÇÃO DA TUBAGEM

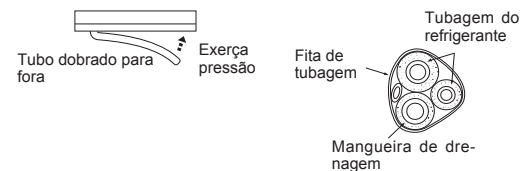
Modelação da tubagem

- Oriente a mangueira de drenagem diagonalmente abaixo dos tubos de ligação.
- Certifique-se de que a mangueira de drenagem não está orientada para cima e de que não apresenta ondulações.
- Não puxe a mangueira de drenagem para aplicar fita em torno da mesma.
- Oriente a tubagem de modo a que a mesma não seja projectada para além da parte de trás da unidade interior. (Consulte a figura à direita.)

Ligação da instalação da tubagem

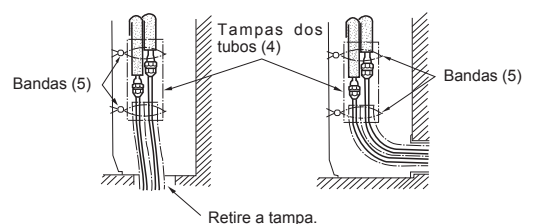
- Instale os tubos de ligação de modo a que a tubagem se possa deslocar ligeiramente para a frente, para trás, para a esquerda e para a direita.

- Certifique-se de que isola os tubos de ligação para que não entrem em contacto com o painel.
- Tenha cuidado para não danificar os tubos de ligação quando os dobrar.



TUBAGEM DIREITA PARA BAIXO

OUTRA TUBAGEM



PARA TUBAGEM ESQUERDA OU ESQUERDA-POSTERIOR

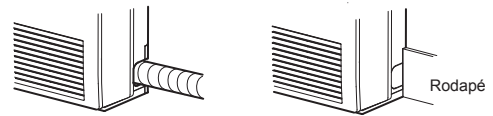
Una os tubos de ligação e a mangueira de drenagem e, de seguida, coloque fita de feltro em torno dos mesmos (11).

Corte e utilize os painéis laterais inferiores no lado esquerdo e direito da unidade interior de acordo com o indicado.

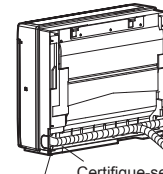
Suavize as arestas de corte dos painéis laterais de modo a que os mesmos não danifiquem o revestimento vedante.

- Para tubagem esquerda ou direita
- Instalação da tubagem numa parede com rodapé

Aplique fita de feltro (11) firmemente em torno dos tubos e da mangueira, começando junto ao ponto onde os tubos e a mangueira são orientados a partir da unidade interior. (A largura de sobreposição da fita de feltro (11) não deve corresponder a mais de 1/2 da largura da fita.)



Corte os painéis laterais inferiores para se adequarem à altura do rodapé.



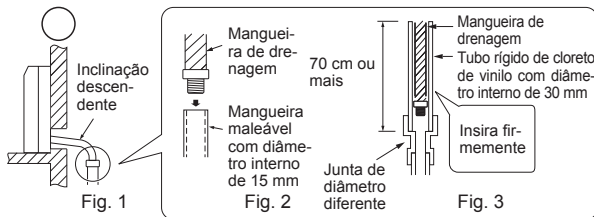
Comece a aplicar a fita de tubagem (G) em torno dos tubos e da mangueira 10 mm para dentro da unidade interior.

Aperte a extremidade da fita de feltro (11) com um detentor de bandagem.

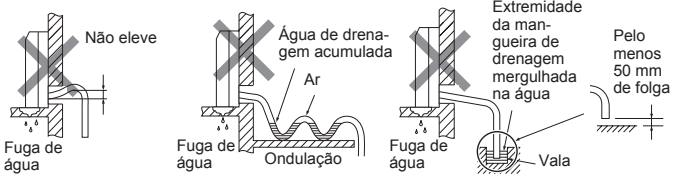
Certifique-se de que a mangueira de drenagem não está orientada para cima.

2-7. TUBAGEM DE DRENAGEM

- Caso a extensão da mangueira de drenagem tenha de passar pelo interior de uma divisão, enrole-a num material de isolamento disponível no mercado.
- A mangueira de drenagem deve ficar voltada para baixo para facilitar o fluxo de drenagem. (Fig. 1)
- Caso a mangueira de drenagem fornecida com a unidade interior seja demasiado curta, ligue-a à mangueira de drenagem (1) que deve ser providenciada no local. (Fig. 2)
- Ao ligar a mangueira de drenagem ao tubo rígido de cloreto de vinilo, certifique-se de que a insere firmemente no tubo. (Fig. 3)

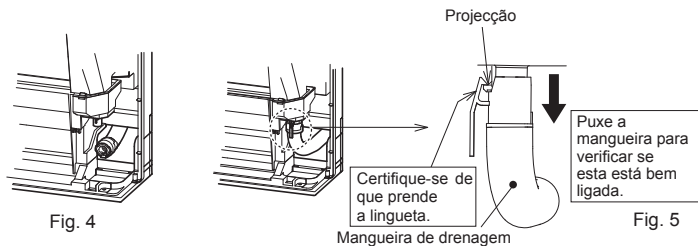


Não instale a tubagem de drenagem da forma apresentada em seguida.



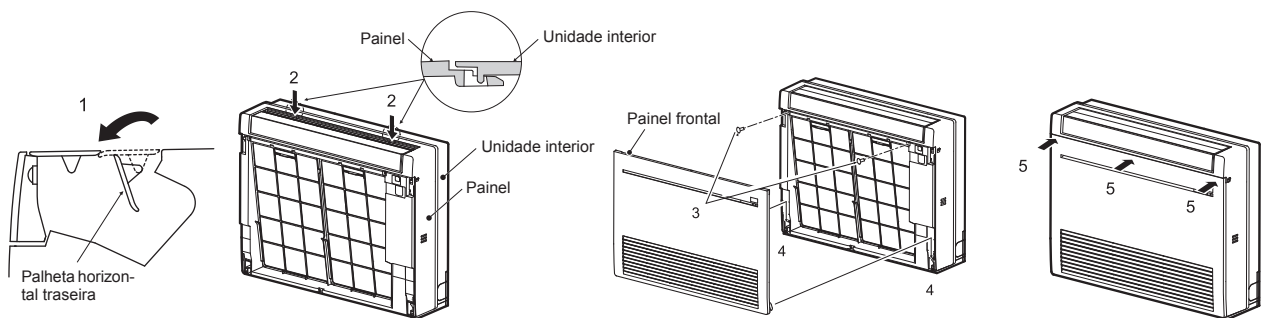
A mangueira de drenagem é removida na instalação.

- Ao orientar a tubagem de drenagem, certifique-se de que a mangueira de drenagem (1) é orientada de acordo com o indicado. (Fig. 4)
- Insira a mangueira de drenagem completamente até à base do reservatório de drenagem (ligação final). (Fig. 5)
- Certifique-se de que a lingueta da mangueira de drenagem está bem engatada na projecção do orifício no reservatório de drenagem.
- Depois de ligar a mangueira de drenagem, não se esqueça de a puxar para verificar se está bem ligada.



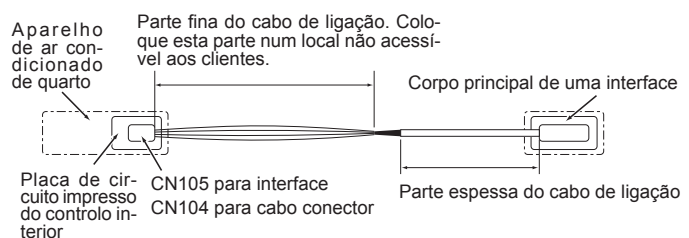
2-8. INSTALAÇÃO DO PAINEL FRONTAL

- 1) Abra a palheta horizontal traseira.
- 2) Fixe o painel. Certifique-se de que as linguetas estão presas.
- 3) Fixe o painel com parafusos.
- 4) Insira a parte inferior do painel frontal.
- 5) Prima 3 locais na parte superior do painel frontal para o fechar.



2-9. LIGAÇÃO DE UMA INTERFACE (opção)/UM CABO CONECTOR (opção) AO AR CONDICIONADO

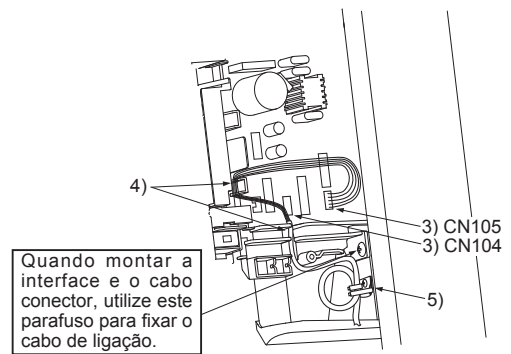
- Utilize um cabo de ligação para ligar uma interface/um cabo conector à placa de circuito impresso do controlo interior de um aparelho de ar condicionado.
- Se cortar ou aumentar o cabo de ligação da interface/do cabo conector, ocorrerão problemas na ligação. Não junte o cabo de ligação com o cabo de alimentação, o fio de ligação da unidade interior/exterior e/ou o fio de ligação à terra. Mantenha a máxima de distância possível entre o cabo de ligação e esses fios.
- A parte fina do cabo de ligação deve ser guardada e colocada num local não acessível aos clientes.



- 1) Retire o painel.
- 2) Abra a tampa da placa de circuito impresso do controlo interior.
- 3) Ligue o cabo de ligação ao conector CN105 e/ou CN104 da placa de circuito impresso do controlo interior.
- 4) Direcione o cabo de ligação através deste ponto na figura.
- 5) Fixe o grampo do cabo fornecido com a interface/o cabo conector à parte grossa do cabo de ligação com um parafuso de 4x16, conforme ilustra a figura.
- 6) Feche a tampa placa de circuito impresso do controlo interior. Tenha cuidado para não entalar a parte fina do cabo de ligação na tampa. Volte a instalar o painel.

⚠ AVISO

Fixe o cabo de ligação firmemente na posição recomendada. Uma instalação incorrecta pode provocar choque eléctrico, incêndio e/ou mau funcionamento.



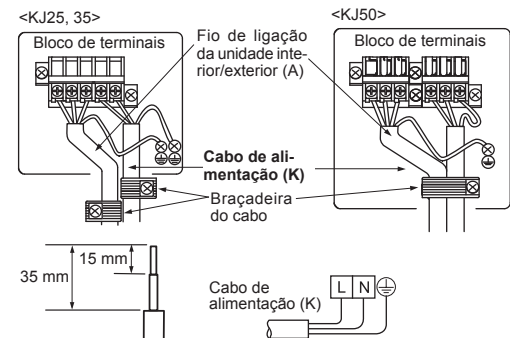
Quando montar a interface e o cabo conector, utilize este parafuso para fixar o cabo de ligação.

3. INSTALAÇÃO DA UNIDADE EXTERIOR

3-1. LIGAÇÃO DOS FIOS PARA A UNIDADE EXTERIOR

- 1) Abra o painel de serviço.
- 2) Desaperte o parafuso do terminal e ligue correctamente o fio de ligação da unidade interior/exterior (A), partindo da unidade interior, ao bloco de terminais. Tenha muito cuidado para não efectuar ligações incorrectas. Fixe bem o fio no bloco de terminais de forma a que nenhuma parte do núcleo fique visível e não seja exercida qualquer força externa na secção de ligação do bloco de terminais.
- 3) Aperte bem os parafusos dos terminais para evitar que se desapertem. Depois de apertar, puxe os fios ligeiramente e verifique se não se movem.
- 4) Ligue o cabo de alimentação (K).
- 5) Fixe o fio de ligação da unidade interior/exterior (A) e o cabo de alimentação (K) com a braçadeira do cabo.
- 6) Feche o painel de serviço de forma segura.

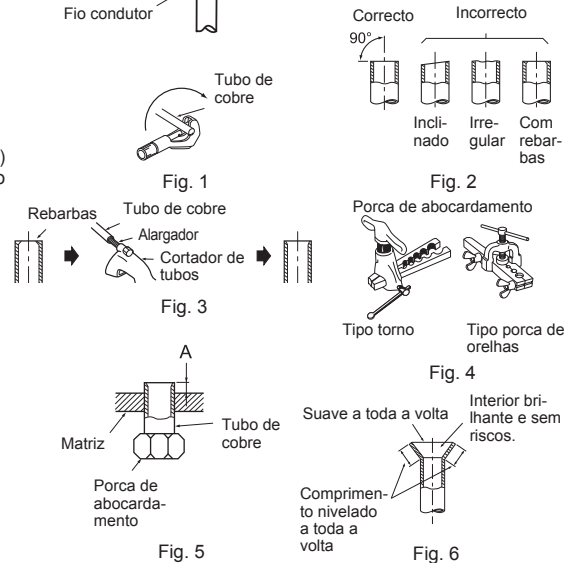
- O fio de terra deve ficar ligeiramente mais comprido do que os outros. (Mais de 100 mm)
- Para manutenção futura, os fios de ligação devem ficar com um comprimento extra.
- Certifique-se de que coloca cada parafuso no respectivo terminal ao fixar o cabo e/ou o fio ao bloco de terminais.



3-2. TRABALHO DE ABOCARDAMENTO

- 1) Corte o tubo de cobre correctamente com um cortador de tubos. (Fig. 1, 2)
- 2) Retire completamente todas as rebarbas da secção transversal de tubo. (Fig. 3)
 - Volte a extremidade do tubo de cobre para baixo quando remover as rebarbas para evitar que estas caiam dentro do tubo.
- 3) Remova as porcas de abocardamento instaladas nas unidades interior e exterior e coloque-as no tubo sem nenhuma rebarba. (Não é possível colocá-las após o trabalho de abocardamento.)
- 4) Trabalho de abocardamento (Fig. 4, 5). Mantenha firmemente o tubo de cobre na dimensão apresentada na tabela. Selecione A mm na tabela de acordo com a ferramenta utilizada.
- 5) Verifique
 - Compare o trabalho de abocardamento com a Fig. 6.
 - Se o abocardamento parecer incorrecto, corte a secção abocardada e efectue novamente o trabalho.

Diâmetro do tubo (mm)	Porca (mm)	A (mm)			Binário de aperto	
		Ferramenta tipo torno para R410A	Ferramenta tipo torno para R22	Ferramenta tipo porca de orelhas para R22	N•m	kgf•cm
ø6,35 (1/4")	17	0 - 0,5	1,0 - 1,5	1,5 - 2,0	13,7 - 17,7	140 - 180
ø9,52 (3/8")	22				34,3 - 41,2	350 - 420
ø12,7 (1/2")	26				49,0 - 56,4	500 - 575
ø15,88 (5/8")	29				2,0 - 2,5	73,5 - 78,4



3-3. LIGAÇÃO DOS TUBOS

- Aperte a porca de abocardamento com uma chave dinamométrica, conforme especificado na tabela.
- Se for demasiado apertada, a porca de abocardamento pode partir passado um longo período de tempo e provocar uma fuga de refrigerante.
- Certifique-se de que coloca isolamento em redor da tubagem. O contacto directo com a tubagem pode resultar em queimaduras ou úlceras causadas pelo frio.

Ligação da unidade interior

Ligue as tubagens do líquido e do gás à unidade interior.

- Aplique uma camada fina de óleo refrigerante (J) nas extremidades alargadas dos tubos. Não aplique óleo refrigerante na rosca do parafuso. Um binário de aperto excessivo vai danificar o parafuso.
- Para efectuar a ligação, alinhe primeiro o centro e, em seguida, aperte a porca de abocardamento 3 ou 4 voltas.
- Utilize a tabela de binários de aperto apresentada acima como um guia para a secção de união do lado da unidade interior e aperte usando duas chaves. Um aperto excessivo causará danos à secção abocardada.

Ligação da unidade exterior

Ligue os tubos à união do tubo da válvula de retenção da unidade exterior da mesma forma utilizada para a unidade interior.

- Para efectuar o aperto, utilize uma chave dinamométrica ou uma chave inglesa e utilize o mesmo binário de aperto aplicado para a unidade interior.

⚠ AVISO

Quando instalar a unidade, ligue os tubos de refrigerante firmemente antes de ligar o compressor.

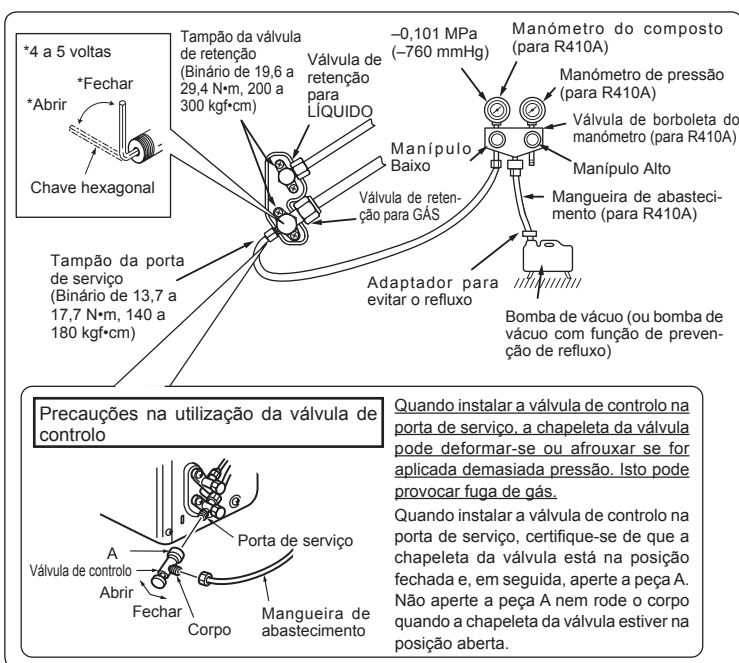
3-4. ISOLAMENTO

- 1) Cubra as juntas da tubagem com cobertura para tubos.
- 2) Do lado da unidade exterior, isole bem toda a tubagem, incluindo as válvulas.
- 3) Aplique fita para tubagem (G) começando na entrada da unidade exterior.
 - Termine o extremo da fita para tubagem (G) aplicando cola na fita.
 - Quando a tubagem tiver de ser posicionada através do tecto, de um armário ou em locais onde a temperatura e a humidade sejam elevadas, enrole um isolamento adicional disponível no mercado para evitar a condensação.

4. PROCEDIMENTOS DE PURGA, TESTE DE FUGAS E TESTE DE FUNCIONAMENTO

4-1. PROCEDIMENTOS DE PURGA E TESTE DE FUGAS

- 1) Retire o tampão da porta de serviço da válvula de retenção, do lado do tubo de gás da unidade exterior. (As válvulas de retenção encontram-se completamente fechadas e cobertas com o tampão no estado inicial.)
- 2) Ligue a válvula de borboleta do manómetro e a bomba de vácuo à porta de serviço da válvula de retenção, do lado do tubo de gás da unidade exterior.
- 3) Ligue a bomba de vácuo. (Aplique o vácuo durante mais de 15 minutos.)
- 4) Verifique o vácuo com a válvula de borboleta do manómetro, feche a válvula de borboleta do manómetro e pare a bomba de vácuo.
- 5) Deixe assim durante um ou dois minutos. Certifique-se de que o ponteiro do manómetro permanece na mesma posição. Confirme que o manómetro de pressão apresenta a indicação $-0,101$ MPa [Manómetro] (-760 mmHg).
- 6) Retire a válvula de borboleta do manómetro rapidamente da porta de serviço da válvula de retenção.
- 7) Depois de os tubos do refrigerante estarem ligados e esvaziados, abra completamente todas as válvulas de retenção em ambos os lados do tubo de gás e do tubo de líquido. O funcionamento sem abertura total reduz o rendimento e causa problemas.
- 8) Consulte a secção 1-3. e abasteça a quantidade de refrigerante indicada, se necessário. Certifique-se de que abastece lentamente com refrigerante líquido. Caso contrário, a composição do refrigerante no sistema pode ser alterada e afectar o rendimento do aparelho de ar condicionado.
- 9) Aperte o tampão da porta de serviço para obter o estado inicial.
- 10) Efectue o teste de fugas



4-2. TESTE DE FUNCIONAMENTO

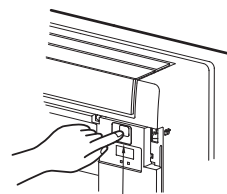
Certifique-se de que se verificam as seguintes condições.

- O painel está instalado correctamente.
 - As unidades interior e exterior estão correctamente instaladas e possuem alimentação.
- 1) Prima o E.O. SW uma vez para ARREFECIMENTO (COOL) e duas vezes para QUENTE (HEAT). O teste de funcionamento será realizado durante 30 minutos. Se a luz esquerda do indicador de operação ficar intermitente a cada 0,5 segundos, verifique se o fio de ligação da unidade interior/exterior (A) está mal ligado. Após o teste de funcionamento, inicia o modo de emergência (temperatura definida a 24°C).
 - 2) Para interromper a operação, prima o E.O. SW várias vezes até as lâmpadas LED apagarem. Consulte as instruções de operação para obter mais detalhes.

Verificação da recepção do sinal do controlo remoto (infravermelhos)

Prima o botão ON/OFF (LIGAR/DESLIGAR) do controlo remoto (12) e verifique se é emitido um som electrónico pela unidade interior. Volte a premir o botão ON/OFF (LIGAR/DESLIGAR) para desligar o aparelho de ar condicionado.

- O dispositivo preventivo de reinício é activado assim que o compressor pára para que este não funcione durante 3 minutos, de forma a proteger o aparelho de ar condicionado.



Interruptor de operação de emergência (E.O. SW)

4-3. FUNÇÃO DE REINÍCIO AUTOMÁTICO

Este produto está equipado com uma função de reinício automático. Quando a alimentação eléctrica é interrompida durante o funcionamento, por exemplo, no caso de um corte de energia, esta função reinicia automaticamente na última definição logo que a alimentação seja reposta. (Consulte as instruções de operação para obter mais detalhes.)

Cuidado:

- Depois do teste de funcionamento ou da verificação da recepção do sinal do controlo remoto, desligue a unidade com o E.O. SW ou com o controlo remoto antes de desligar a alimentação. Se não o fizer, a unidade irá reiniciar automaticamente a operação quando a alimentação for reposta.

Para o utilizador

- Depois de instalar a unidade, certifique-se de que explica a função de reinício automático ao utilizador.
- Se a função de reinício automático não for necessária, pode ser desactivada. Consulte o representante de assistência técnica para desactivar a função. Consulte o manual de assistência técnica para obter mais detalhes.

4-4. EXPLICAÇÃO PARA O UTILIZADOR

- Utilizando as INSTRUÇÕES DE OPERAÇÃO, explique ao utilizador de que forma deve utilizar o aparelho de ar condicionado (como utilizar o controlo remoto, como remover os filtros de ar, como retirar e colocar o controlo remoto na respectiva caixa de instalação, como limpar, as precauções a ter durante a operação, etc.)
- Recomende ao utilizador que leia com atenção as INSTRUÇÕES DE OPERAÇÃO.

5. BOMBAGEM

Quando mudar o aparelho de ar condicionado de sítio ou quando se desfizer deste, bombeie o sistema efectuando o procedimento apresentado em seguida, de modo a que não seja libertado refrigerante para a atmosfera.

- 1) Ligue a válvula de borboleta do manómetro à porta de serviço da válvula de retenção do lado do tubo do gás da unidade exterior.
- 2) Feche completamente a válvula de retenção do lado do tubo do líquido da unidade exterior.
- 3) Feche quase completamente a válvula de retenção do lado do tubo do gás da unidade exterior, de modo a que seja fácil fechá-la completamente quando o manómetro de pressão apresentar a indicação 0 MPa [Manómetro] (0 kgf/cm²).
- 4) Inicie a operação de ARREFECIMENTO (COOL) de emergência.
Para iniciar a operação de emergência no modo de ARREFECIMENTO (COOL), desligue a ficha de alimentação e/ou o disjuntor. Passados 15 segundos, ligue a ficha de alimentação e/ou o disjuntor e, em seguida, prima uma vez o E.O. SW. (A operação de ARREFECIMENTO (COOL) de emergência pode ser efectuada continuamente durante um período máximo de 30 minutos.)
- 5) Feche completamente a válvula de retenção do lado do tubo do gás da unidade exterior quando o manómetro de pressão apresentar a indicação $0,05$ para 0 MPa [Manómetro] (aprox. $0,5$ para 0 kgf/cm²).
- 6) Termine a operação de ARREFECIMENTO (COOL) de emergência.
Prima o E.O. SW duas vezes para interromper a operação.

⚠ AVISO

Quando proceder à bombagem do refrigerante, desligue o compressor antes de desligar os tubos de refrigerante. O compressor pode rebentar se ar etc. entrar nele.

INDHOLDSFORTEGNELSE

1. FØR INSTALLATION.....	1
2. INSTALLATION AF INDENDØRSENHED.....	3
3. INSTALLATION AF UDENDØRSENHED.....	6
4. UDLUFTNINGSPROCEDURER, LÆKAGETEST OG TESTKØRSEL ...	7
5. TØMNING	7

Modelnavnene er angivet i 1-3.

Nødvendigt værktøj til installation

Stjerneskruetrækker	4 mm sekskantnøgle
Vaterpas	Opkravningsværktøj til R410A
Målestok	R410A
Kniv eller saks	Målemanifold til R410A
25, 35 klasse 65 mm / 50 klasse 75 mm hulsav	Vakuumpumpe til R410A
Momentnøgle	Påfyldningsslange til R410A
Nøgle (eller skruenøgle)	Rørskærer med rival

1. FØR INSTALLATION

1-1. FØLGENDE SIKKERHEDSFORSKRIFTER SKAL ALTID IAGTTAGES

- Læs "FØLGENDE SIKKERHEDSFORSKRIFTER SKAL ALTID IAGTTAGES", før klimaanlægget installeres.
- Iagttag altid de herunder nævnte advarsler og forsigtighedsregler, da de indeholder vigtige sikkerhedsforskrifter.
- Efter læsning af denne manuel, sørg da for at opbevare den sammen med BETJENINGSVEJLEDNINGEN med henblik på senere brug.

⚠ ADVARSEL

(Kan medføre livsfare, alvorlig personskade, etc.)

- **Installer ikke klimaanlægget selv (bruger).** Ufuldstændig installation kan føre til brand, elektriske stød, personskade pga. nedfald af enheden eller vandlækage. Henvend Dem til den forhandler, hvor De har købt anlægget eller til en fagkyndig installatør.
- **Udfør installationen på forsvarlig vis i henhold til installationsmanualen.** Ufuldstændig installation kan føre til brand, elektriske stød, personskade pga. nedfald af enheden eller vandlækage.
- **Ved installation af enheden skal der af sikkerhedsårsager benyttes passende beskyttelsesudstyr og værktøjer.** Hvis der ikke gøres det, kan det forårsage personskader.
- **Installer enheden forsvarligt på et sted, der kan bære vægten af den.** Hvis monteringsstedet ikke kan bære vægten af enheden, kan den falde ned med personskade til følge.
- **Elektrisk arbejde skal udføres af en autoriseret, erfaren elektriker i overensstemmelse med installationsvejledningen. Brug altid et specielt kredsløb. Slut ikke andre elektriske apparater til kredsløbet.** Hvis det elektriske kredsløbs kapacitet er utilstrækkeligt, eller det elektriske arbejde er ufuldstændigt, vil der være risiko for brand eller elektrisk stød.
- **Jordforbind enheden korrekt.** Forbind aldrig jordenheden til et gasrør, et vandrør, et lynafleder eller en telefons jordledning. Forkert jordtilslutning kan give årsag til elektrisk stød.
- **Undgå at beskadige ledningerne ved at udøve et for stort tryk på disse med dele eller skruer.** Beskadigede ledninger kan forårsage brand eller elektrisk stød.
- **Afbryd strømtilførslen, hvis der skal monteres PC-styrekort eller udføres ledningsarbejde på indendørsenheden.** Ellers kan det medføre elektrisk stød.
- **Brug de foreskrevne ledninger til at forbinde indendørsenheden og udendørsenheden, og sæt ledningerne godt fast på klæpladens tilslutningssektioner, uden at de udøver tryk på sektionerne. Forlæng ikke ledningerne, og brug ikke forlængerledninger.** Ufuldstændig tilslutning og fastgørelse kan forårsage brand.
- **Installer ikke enheden på et sted, hvor der er siver brændbar gas ud.** Hvis gas siver ud i nærheden af enheden, kan der være risiko for eksplosion.
- **Brug ikke indirekte tilslutning af netledningen eller en forlængerledning, og undlad at tilslutte mange anordninger til samme vægkontakt.** Dette kan medføre risiko for brand eller elektrisk stød på grund af defekt kontakt, defekt isolation, overskridning af den tilladte spænding etc.
- **Brug de medfølgende dele eller specificerede dele til installationsarbejdet.** Anvendelse af defekte dele kan føre til personskade og/eller vandlækage forårsaget af brand, elektrisk stød eller at enheden falder ned etc.
- **Sørg for, at der ikke er støv, tilstopning eller løse dele i hverken stikkontakten eller på netstikket, når netstikket sættes i stikkontakten. Kontroller, at strømforsyningsstikket er skubbet helt ind i stikkontakten.** Støv, tilstopning eller løse dele på strømforsyningsstikket eller i stikkontakten kan forårsage elektrisk stød eller brand. Udskift strømforsyningsstikket, hvis det har løse dele.
- **Monter dækslerne over de elektriske dele på udendørsenheden og servicepanelet på udendørsenheden forsvarligt.** Hvis disse dæksler ikke monteres forsvarligt, vil der være risiko for brand eller elektrisk stød pga. støv, vand o. lign.
- **Sørg for, at der ikke kommer nogen masse udover det angivne kølemiddel (R410A) ind i kølemidlets kredsløb, når enheden installeres, omlaces eller serviceres.** Tilstedeværelsen af fremmede substanser, f.eks. luft, kan forårsage unormal trykstigning og forårsage eksplosion eller tilskadekomst. Brug af andre kølemidler end det, der er specificeret for systemet, vil forårsage mekanisk fejl, systemfejl eller ødelæggelse af enheden. I værste fald kan det medføre en alvorlig reduktion af produktsikkerheden.
- **Kølevæskan må ikke udledes i atmosfæren. Hvis der siver kølevæske ud under installation, skal rummet udluftes.** Hvis kølegassen kommer i kontakt med ild, kan der opstå skadelige dampe. Kølemiddellækage kan forårsage kvælning. Sørg for ventilation i henhold til EN378-1.
- **Kontroller, at der ikke siver kølegas ud, når installationen er færdig.** Hvis kølegassen siver ud indendørs og kommer i kontakt med varmen fra varmeblæser, varmeapparat, brændeovn el. lign., kan der opstå skadelige dampe.
- **Brug egnet værktøj og rørmaterialer til installationen.** Trykket i R410A er 1,6 gange højere end i R22. Hvis der ikke bruges egnet værktøj eller materialer, kan en ufuldstændig installation medføre, at rørene springer eller tilskadekomst.
- **Ved tømming af kølemiddel skal kompressoren stoppes, før kølerørene afmonteres.** Hvis kølerørene afmonteres, mens kompressoren kører, og stopventilen er åben, kan der trækkes luft ind, og trykket i kølesystemet blive unormalt højt. Dette kan få rørene til at springe eller medføre tilskadekomst.
- **Tilslut omhyggeligt rørene, før kompressoren startes, når enheden installeres.** Hvis kompressoren startes, før kølerørene er tilsluttet, og stopventilen er åben, kan der trækkes luft ind, og trykket i kølesystemet blive unormalt højt. Dette kan få rørene til at springe eller medføre tilskadekomst.
- **Monter en brystmøtrik med en momentnøgle som specificeret i denne manual.** Hvis en brystmøtrik spændes for stramt, kan den blive ødelagt efter en lang periode og forårsage lækage af kølemiddel.
- **Enheden skal installeres i overensstemmelse med internationale lovbestemmelser for elektrisk installation.**

⚠ FORSIGTIG

(Kan medføre alvorlig personskade under særlige omstændigheder og ved forkert anvendelse.)

- **Installer en fejlstrømsafbryder afhængig af installationsstedet.** Hvis der ikke er installeret jordtilslutningsafbryder, vil der være risiko for elektrisk stød.
- **Udfør afløbs/rørføringsarbejde på korrekt vis i henhold til installationsmanualen.** Hvis dette arbejde ikke udføres korrekt, kan der dryppe vand fra enheden og beskadige evt. artikler under enheden.
- **Rør ikke ved luftindtaget eller aluminiumlamellerne på udendørsenheden.** Det kan forårsage tilskadekomst.
- **Installer ikke udendørsenheden, hvor der kan leve små dyr.** Hvis små dyr trænger ind i og rører ved de elektriske dele inde i enheden, kan det forårsage fejlfunktion, røgemission eller brand. Instruér også brugerne om at holde området omkring enheden rent.

1-2. VALG AF INSTALLATIONSSTED

INDENDØRSENHED

- Hvor luftstrømmen ikke blokeres.
- Hvor der spredes kølig luft i hele rummet.
- Solid væg uden vibrationer.
- Hvor den ikke udsættes for direkte sol. Udsæt ikke for direkte sollys. Dette gælder også i perioden efter udpakning.
- Hvor afløb er problemfrit.
- Ikke nærmere end 1 m fra TV og radio. Betjeningen af airconditionanlægget kan påvirke radio- og TV-modtagelsen. Det kan være nødvendigt at installere en forstærker til påvirkede apparat.
- Så langt væk som muligt fra lysstofrør eller glødelamper (så klimaanlægget kan styres normalt med den trådløse fjernbetjening).
- Hvor luftfiltret nemt kan udskiftes.

FJERNBETJENING

- Hvor fjernbetjeningen er nem at anvende og synlig.
- Uden for børns rækkevidde.
- Vælg den position, hvor indendørsenheden kan modtage signalet fra fjernbetjeningen ordentligt. Kontroller, at signalerne fra fjernbetjeningen kan modtages af indendørsenheden fra positionen (et "bip" eller "bip-bip" høres). Monter derefter holderen til fjernbetjeningen på en stolpe eller væggen, og sæt derefter den trådløse fjernbetjening på.

Bemærk:

Det er ikke sikkert at signalet fra fjernbetjeningen kan modtages i et værelse med lysstofrør med cyklisk tændingsstabilisator, med høj spændingspuls eller pulserende oscillator.

UDENDØRSENHED

- Hvor den ikke er udsat for kraftig blæst.
- Hvor luftstrømmen er god og støvfri.
- Hvor den så vidt muligt ikke udsættes for regn eller direkte sol.
- Hvor eventuelle naboer ikke generes af lyd eller varm luft fra anlægget.
- Hvor der forefindes en solid væg, der forebygger støv og vibrationer.
- Hvor der ikke er risiko for brandfarlig gasudsvining.
- Husk at fastgøre enhedens ben, når den installeres højt.
- Hvor der er mindst 3 m til TV- eller radioantenne. Betjeningen af klimaanlægget kan påvirke radio- og TV-modtagelsen i områder, hvor modtagelsen er svag. Det kan være nødvendigt at installere en forstærker til påvirkede apparat.
- Installer enheden i vandret stilling.
- Monter enheden på et sted, der ikke påvirkes af snefald eller snefyngning. I områder med kraftigt snefald skal der monteres et tag over, en sokkel og/eller nogle skærmpåler.

Bemærk:

Det er tilrådeligt at udføre en rørsøjle i nærheden af den udendørs enhed for at reducere den vibration, der transmitteres fra denne.

Bemærk:

Følg nedenstående instruktioner, når airconditionanlægget bruges ved lave ude temperaturer.

- Udendørsenheden må aldrig monteres på et sted, hvor luftindtags-/udgangssiden er direkte udsat for blæst.
- For at forhindre at udendørsenheden udsættes for blæst, skal den monteres med luftindtagssiden mod væggen.
- For at forhindre at udendørsenheden udsættes for blæst, anbefales det at montere en skærplade på luftudgangssiden. Undgå installation på følgende steder, hvor der nemt kan opstå problemer med klima-anlægget.
 - Hvor der er risiko for udsivning af brændbar gas.
 - Hvor der er meget maskinolie.
 - Hvor olie spildes, eller hvor området er fyldt med olieholdig os eller røg (f.eks. madlavningsområder og fabrikker, hvor plastikegenskaberne kunne blive ændret og dermed beskadiget).
 - Hvor salt forekommer, f.eks. i kystområder.
 - Hvor der frembringes sulfidgas som f.eks. i områder med varme kilder.
 - Hvor der er højfrekvensapparater eller trådløse apparater.
 - Hvor der er en emission af høje niveauer af VOC, inklusive phthalat-blandinger, formaldehyd, etc., som kan forårsage kemisk spaltning.

1-3. SPECIFIKATIONER

Model		Strømforsyning *1			Ledningsspecifikationer *2		Rørtykkelse (tykkelse *3, *4)
Indendørsenhed	Udendørsenhed	Mærkespænding	Frekvens	Afbryderkapacitet	Strømforsyning (3-trådet)	Forbindelsesledning til indendørs-/udendørsenhed	Gas / Væske
MFZ-KJ25VE MFZ-KJ35VE	MUFZ-KJ25VE(HZ) MUFZ-KJ35VE	230 V	50 Hz	10 A	1,0 mm ²	4-trådet 2,0 mm ²	ø9,52 / 6,35 mm (0,8 mm)
MFZ-KJ35VE	MUFZ-KJ35VEHZ			12 A	1,5 mm ²		
MFZ-KJ50VE	MUFZ-KJ50VE(HZ)			16 A	2,0 mm ²		

(KJ25, 35/KJ50)

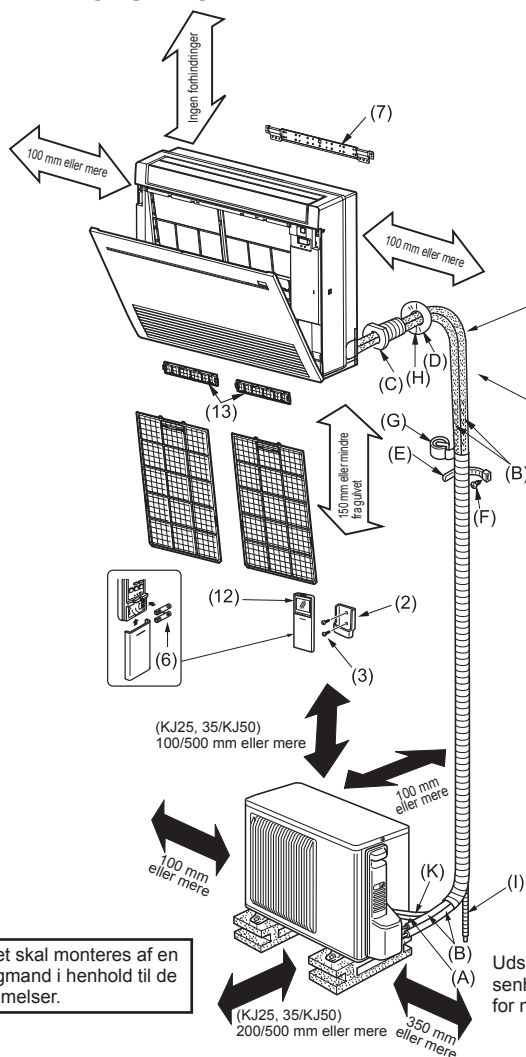
Rørlængde og højdeforskel	
Maks. rørlængde	20/30 m
Maks. højdeforskel	12/15 m
Maks. antal bøjninger *5, *6	10
Justering af kølevæske A *7	30/20 g/m
Isolationstykkelse *8, *9	8 mm

*1 Slut den til en stikkontakt, som har et mellemrum på 3 mm eller mere i åben tilstand, for at afbryde strømmen. (Når der er slukket for kontakten, skal alle poler være afbrudt.)
*2 Brug ledninger i overensstemmelse med design 60245 IEC 57.
*3 Brug aldrig rør med en tykkelse, der er mindre end den angivne. Trykstyrken er ikke tilstrækkelig.
*4 Brug et kobberrør eller et sømløst rør af kobberlegering.

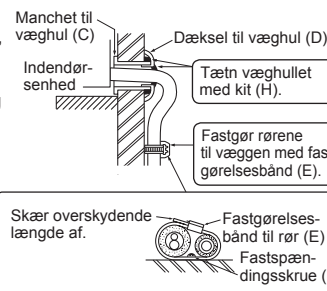
*5 Pas på ikke at klemme røret sammen eller bukke det i rørbøjningen.
*6 Bøjningsradius for røret til kølevæske skal være 100 mm eller større.
*7 Hvis rørlængden overstiger 7 m, er yderligere kølevæske (R410A) påkrævet. (Der kræves ikke ekstra kølevæske for rørlængder under 7 m.)
Ekstra kølemiddel = A × (rørlængde (m) - 7)

*8 Isolationsmateriale: Varmeresistent skumplast, vægtfylde 0,045
*9 Husk at anvende isolering af den foreskrevne tykkelse. For tykt isoleringsmateriale forhindrer korrekt installation af indendørsenheden, og for tyndt isoleringsmateriale skaber kondens.

1-4. INSTALLATIONS DIAGRAM



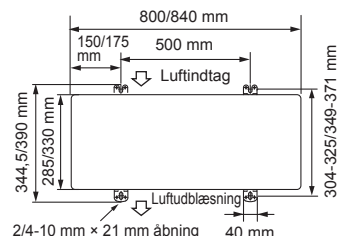
Brug altid manchetten til væghullet (C) til at forhindre, at den indendørs/udendørs forbindelsesledning (A) berører metaldele i væggen og til at forhindre beskadigelse forårsaget af rotter, hvis væggen er hul.



Efter lækagetesten påføres isolationsmaterialet tætsiddende, således at der ikke er noget mellemrum.

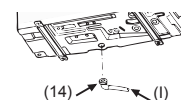
Hvis rørene skal installeres på en væg, der indeholder metal (tinplader) eller metalvæv, skal der anvendes et kemisk behandlet stykke træ, der er 20 mm eller tykkere, mellem væggen og rørene, eller der skal vikles vinylbånd som isolation 7 til 8 gange omkring rørene. For at kunne bruge den eksisterende rørføring skal funktionen COOL (afkøling) køre i 30 minutter med nedpumpning, før det gamle klimaanlæg fjernes. Genetabler opkravningen i overensstemmelse med målet for det nye kølemiddel.

Installation af udendørsenhed (KJ25, 35/KJ50)



Afløbsslanger til udendørsenhed <Kun type VE>

- Monter afløbsslangerne, før indendørs- og udendørsenhedernes rør forbindes.
- Tilsæt afløbsslange (I), indvendig diameter 15 mm, som vist på illustrationen.
- Monter afløbsslangerne med et fald for at opnå et hurtigt afløb.



Bemærk:

Installer enheden i vandret stilling. Brug ikke afløbsmuffe (14) i kolde egne. Afløbet kan fryse og få ventilatoren til at standse. Udendørsenheden producerer kondensat under opvarmingsfunktionen. Vælg et installationssted, hvor det sikres, at udendørsenheden og/eller jorden under den ikke bliver våd af drænvand eller beskadiget af frosset drænvand.

TILBEHØR

Kontroller følgende dele før installering.

(1) Afløbsslange*	1
(2) Holder til fjernbetjeningen	1
(3) Monteringsskruer til (2) 3,5 × 16 mm (Sort)	2
(4) Rørafdækning	1
(5) Bånd	2
(6) Batteri (AAA) til (12)	2
(7) Monteringsbeslag til indendørsenhed	1
(8) Fastgøringsskruer til (7) 4 × 25 mm	5
(9) Træskruer til fastgøring af indendørsenhed	4
(10) Skive til (9)	4
(11) Filttape (bruges til rørføring til venstre eller bagpå til venstre)	1
(12) Trådløs fjernbetjening	1
(13) Luftrensningsfilter	2

* Bemærk:

Afløbsslangen er sluttet til enheden. <Udendørsenhed>

(14) Afløbsmuffe (Kun type VE)	1
--------------------------------	---

DELE, DER SKAL VÆRE TIL RÅDIGHED PÅ INSTALLATIONSSTEDET

(A) Forbindelsesledning til indendørs/udendørsenhed*	1
(B) Forlængerrør	1
(C) Manchet til væghul	1
(D) Dæksel til væghul	1
(E) Fastgørelsesbånd til rør	2 - 5
(F) Fastspændingsskruer til (E) 4 × 20 mm	2 - 5
(G) Rørtape	1
(H) Kit	1
(I) Afløbsslange (eller blødt PVC-slange, 15 mm indvendig diameter eller hårdt PVC-rør VP16)	1 eller 2
(J) Køleolie	1
(K) Strømforsyningskabel*	1

* Bemærk:

Placer forbindelsesledningen til indendørs-/udendørsenheden (A) og strømforsyningskablet (K) med mindst 1 m afstand til TV-antennens kabel.

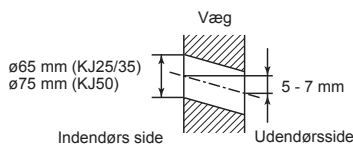
2. INSTALLATION AF INDENDØRSENHED

2-1. FASTGØRELSE AF INDENDØRSENHEDENS MONTERINGSBESLAG

- Find et strukturelt materiale (som f.eks. en stolpe) i væggen, og fastgør beslaget (7) i vandret stilling med fastspændingsskruerne (8).
- For at forhindre at beslaget (7) vibrerer, skal fastspændingsskruerne monteres i de huller, der er angivet på illustrationen. Der kan også sættes skruer i de andre huller for ekstra støtte.

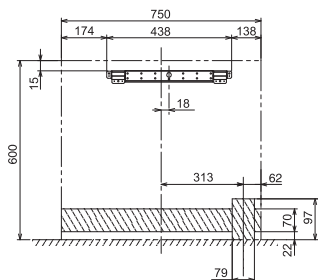
2-2. BORING AF HUL

- 1) Vælg væghullets placering.
- 2) Bor et hul med en diameter på 65 mm (dia. 75 mm for KJ50). Uden-dørssiden skal være 5-7 mm lavere end indendørssiden.
- 3) Monter manchetten til væghullet (C).

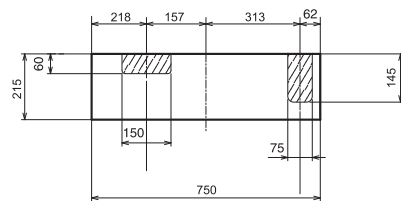


HULPOSITIONER

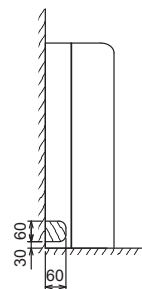
TIL RØRFØRING BAGPÅ ELLER BAGPÅ TIL VENSTRE
(I følgende figur er indendørsenhedens installationssted vist set forfra.)



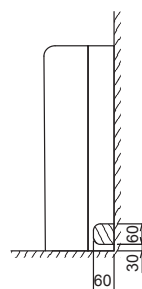
TIL RØRFØRING TIL HØJRE NEDAD ELLER TIL VENSTRE NEDAD
(I følgende figur er bunden af indendørsenheden vist set ovenfra.)



TIL RØRFØRING TIL VENSTRE



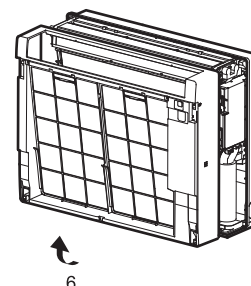
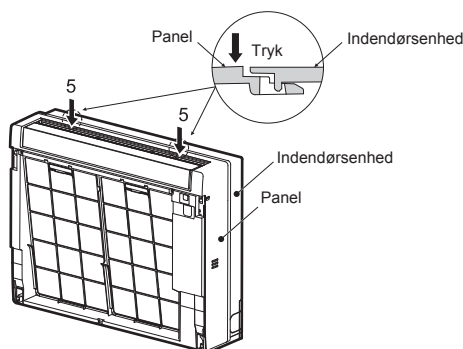
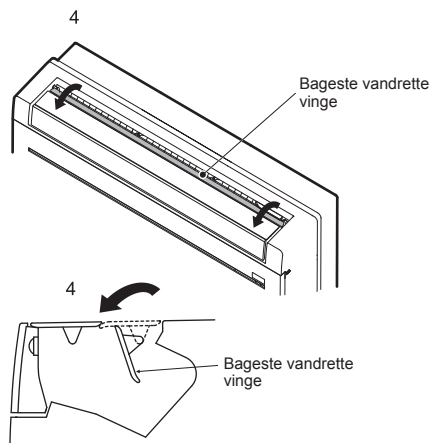
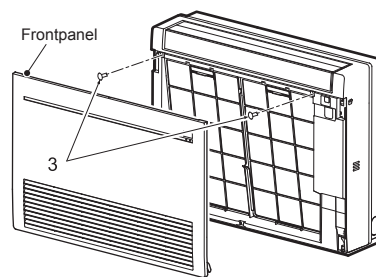
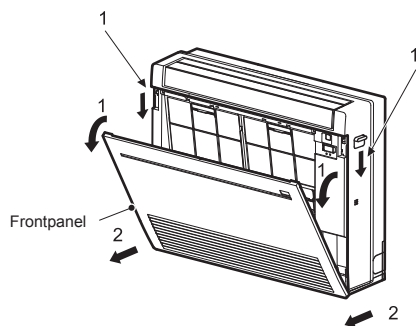
TIL RØRFØRING TIL HØJRE



2-3. KLARGØRING AF INDENDØRSENHED

Fjern indendørsenhedens frontpanel.

- 1) Tryk ned på tappene på begge sider af enheden for at åbne frontpanelet.
- 2) Træk frontpanelet mod dig for at fjerne det.
- 3) Fjern de 2 skruer.
- 4) Åbn den bagerste vandrette vinge.
- 5) Tryk på de 2 steder øverst på frontpanelet, og træk den øverste del af frontpanelet mod dig selv.
- 6) Fjern frontpanelet ved at løfte en smule op i det.



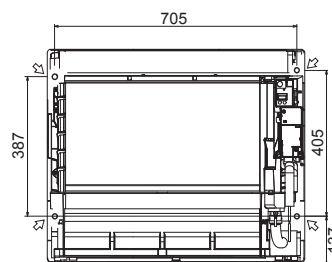
2-4. INSTALLATION AF DEN INDENDØRS ENHED

2-4-1. MONTERING AF INDENDØRS ENHEDEN PÅ GULVET

1. Placér indendørsenheden på det flade gulv.
2. Monter indendørsenheden fire steder vha. de medfølgende træskruer (9) og spændeskiver (10). Spænd skruerne sikkert til.

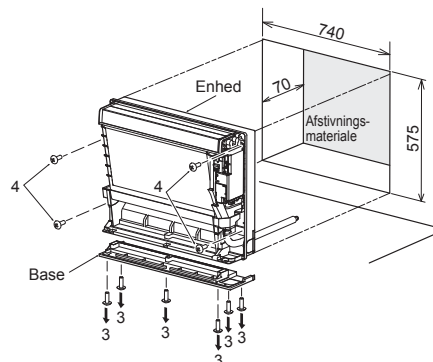
2-4-2. MONTERING AF INDENDØRS ENHEDEN PÅ VÆGGEN

1. Hægt toppen af indendørsenheden på monteringsbeslaget til indendørsenheden (7).
2. Monter indendørsenheden fire steder vha. de medfølgende træskruer (9) og spændeskiver (10). Spænd skruerne sikkert til.



2-4-3. INDBYGNING AF INDENDØRS ENHED I EN VÆG

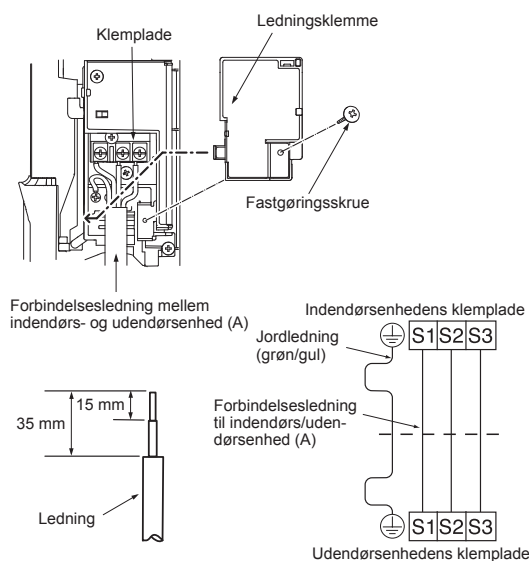
1. Lav et hul i væggen.
2. Justér dybden med afstivningsmateriale.
3. Fjern de 6 skruer, der holder basen fast på enheden. Afmonter basen fra enheden.
4. Monter indendørsenheden fire steder vha. de medfølgende træskruer (9) og spændeskiver (10). Spænd skruerne sikkert til.



2-5. TILSLUTNING AF LEDNINGER TIL INDENDØRS ENHED

- 1) Fjern ledningsklemmen.
- 2) Før forbindelsesledningen til indendørs-/udendørsenheden (A) fra bagsiden af indendørsenheden, og forbered ledningens ende.
- 3) Løsn klemmskruen, og tilslut først jordledningen, og dernæst forbindelsesledningen til indendørs-/udendørsenheden (A) til klempladen. Vær omhyggelig, så ledningsføringen ikke udføres forkert. Fastgør ledningen på klempladen, således at intet af kabelkernen er synligt, og der ikke tilføres nogen ekstern kraft til klempladens forbindelsesdel.
- 4) Stram klemmskruerne godt til for at forhindre, at de løsnes. Træk til sidst forsigtigt i ledningerne for at bekræfte, at de ikke går løs.
- 5) Fastgør indendørs-/udendørsenhedens forbindelsesledning (A) og jordledningen med ledningsklemmen. Undlad aldrig at fastgøre ledningsklemmens venstre krog. Fastgør omhyggeligt ledningsklemmen.

- Gør jordledningen lidt længere end de andre. (Længere end 45 mm)
- Lad ikke forbindelsesledningerne være for korte. Det gør vedligeholdelsen nemmere.
- Buk ikke overskydende ledning, og stuv den ikke på for lidt plads. Pas på ikke at beskadige ledningerne.
- Sørg for at fastgøre hver skrue til den tilsvarende klemme, når kablet og/eller ledningen fastgøres på klempladen.



2-6. RØRFORMING OG INSTALLATION

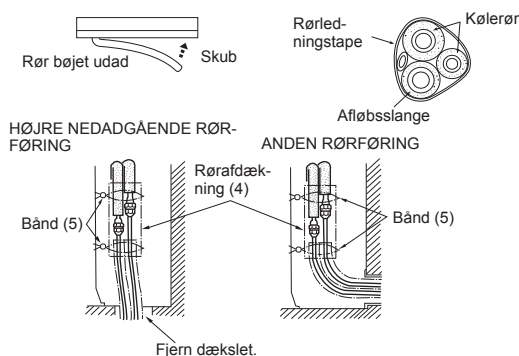
Rørlægning

- Før afløbsslangen diagonalt under rørforbindelserne.
- Sørg for, at afløbsslangen ikke føres opad, og at der ikke er nogen bølger i slangen.
- Du må ikke trække i afløbsslangen. Pak afløbsslangen ind i tape.
- Udfør rørføringen, så den ikke stikker længere ud end indendørsenhedens bagside. (Se figuren til højre).

Installation af rørforbindelser

- Installer rørforbindelserne, så rørene kan bevæge sig lidt frem, tilbage, til højre og til venstre.

- Sørg for at isolere de forbindende rør, så de ikke kommer i kontakt med panelet.
- Pas på, at du ikke kommer til at klemme rørforbindelserne sammen, når du bøjer dem.



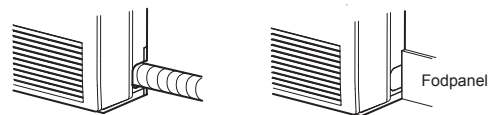
TIL RØRFØRING TIL VENSTRE ELLER BAGPÅ TIL VENSTRE

Saml rørforbindelserne og afløbsslangen, og pak filltape (11) omkring.

Tilskær og brug de nedre sidepaneler på indendørsenhedens venstre og højre side som vist nedenfor.

Glat skærekantene på sidepanelerne, så de ikke beskadiger isoleringen.

- Til rørføring til venstre eller til højre
- Montering ret mod væg med fodpaneler



Tilskær og brug sidepanelerne, så de svarer til fodpanelets højde.



Start med at pakke rørtæpen (G) omkring rørene og slangen 10 mm inde i indendørsenheden.

Fastgør filltæpens ende (11) med en bandageafslutning.

Sørg for, at afløbsslangen ikke føres opad.

Pak filltæpen (11) stramt omkring rørene og slangen. Start ved det sted, hvor rørene og slangen føres fra indendørsenheden. (Overlappet på filltæpen (11) må ikke være mere end 1/2 tapebredde).

2-7. AFLØBSRØRFØRING

- Sørg for at omvikle afløbsslangen med isolerbånd (kan fås i handelen), hvis den skal gå gennem et værelse.
- Afløbsslangen skal pege nedad, så afløbet kan foregå problemfrit. (Fig. 1)
- Hvis indendørsenhedens medleverede afløbsslange er for kort, skal den tilsluttes den afløbsslange (I), som skal være tilgængelig på installationsstedet. (Fig. 2)
- Når afløbsslangen forbindes til røret af hård PVC, skal den sættes godt fast i røret. (Fig. 3)

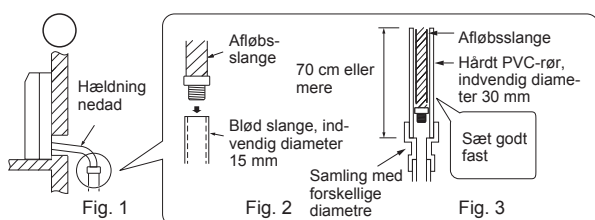
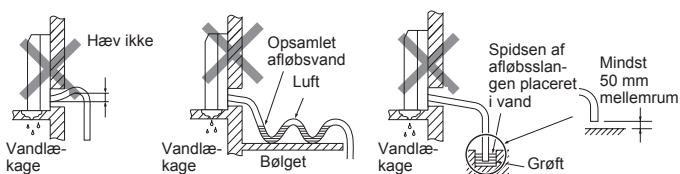


Fig. 1

Fig. 2

Fig. 3

Montér ikke afløbsslanger som vist nedenfor.



Hæv ikke

Opsamlet afløbsvand

Spidsen af afløbsslangen placeret i vand

Mindst 50 mm mellemrum

Afløbsslangen fjernes ved installation.

- Når afløbsrørføringen udføres, skal du sikre dig, at afløbsslangen (1) føres som vist. (Fig. 4)
 - Sæt afløbsslangen helt ind i bunden af afløbsbakken (endeforbindelse). (Fig. 5)
- Kontroller, at afløbsslangen opfanges sikkert på fremspringet i hullet i afløbsbakken.
- Træk i afløbsslangen efter tilslutning, for at kontrollere at den sidder helt fast.

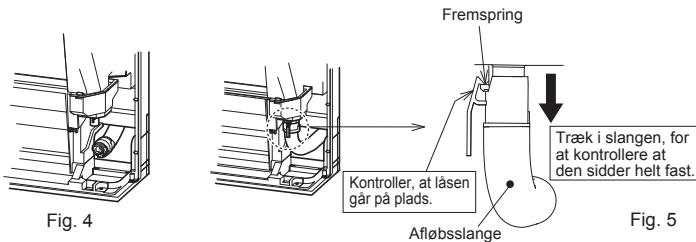
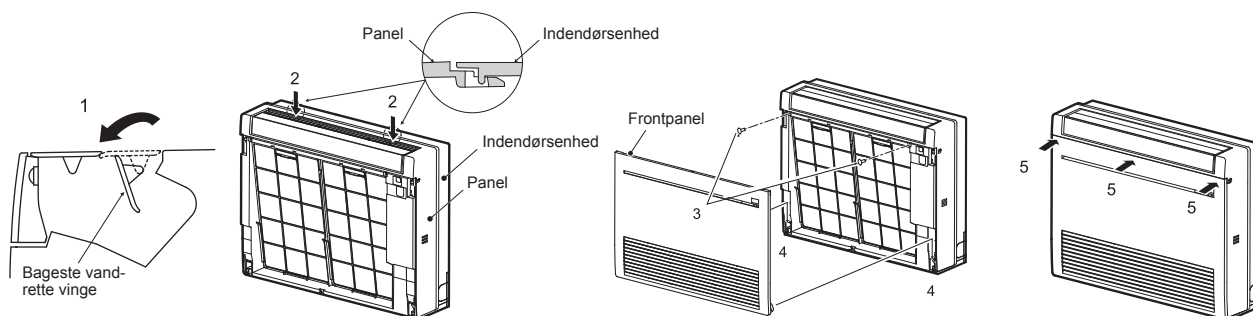


Fig. 4

Fig. 5

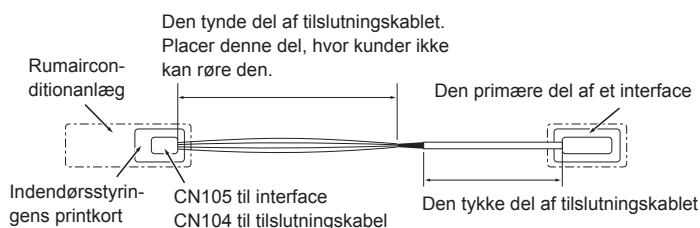
2-8. INSTALLATION AF FRONTPANEL

- 1) Åbn den bagerste vandrette vinge.
- 2) Montér panelet. Sørg for, at låsene er aktiverede.
- 3) Fastspænd panelet med skruerne.
- 4) Indsæt den nederste del af frontpanelet.
- 5) Tryk 3 steder på den øvre del af frontpanelet for at lukke det.



2-9. TILSLUTNING AF ET INTERFACE (tilvalg)/TILSLUTNINGSKABEL (tilvalg) TIL AIRCONDITIONANLÆGGET

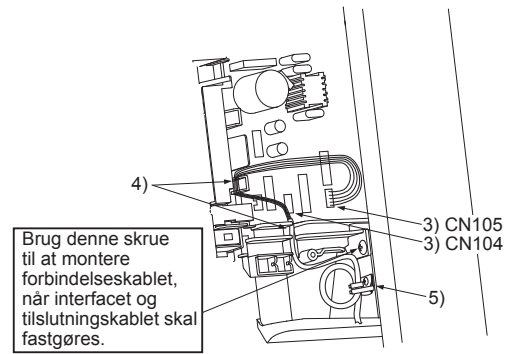
- Forbind et interface/tilslutningskabel med printkortet på et airconditionanlægs indendørsstyring med et forbindelseskabel.
- Hvis forbindelseskablet for interface/tilslutningskablet afkortes eller forlænges, medfører det fejl i tilslutningen. Læg ikke tilslutningskablet sammen med strømforsyningsledningen, indendørs-/udendørsenhedens tilslutningsledning og/eller jordledning. Hold så stor afstand som muligt mellem tilslutningskablet og disse ledninger.
- Den tynde del af tilslutningskablet skal placeres, hvor kunder ikke kan røre det.



- 1) Afmonter panelet.
- 2) Åbn dækslet på indendørsstyringens printkort.
- 3) Slut forbindelseskablet til CN105 og/eller CN104 på indendørsstyringens printkort.
- 4) Før tilslutningskablet gennem dette punkt i illustrationen.
- 5) Monter kabelklemmen, der følger med interface/tilslutningskablet, på den tykke del af forbindelseskablet med en skrue 4x16 som vist i illustrationen.
- 6) Luk dækslet på indendørsstyringens printkort. Pas på, at den tynde del af tilslutningskablet ikke kommer i klemme under dækslet. Monter panelet igen.

⚠ ADVARSEL

Fastgør tilslutningskablet omhyggeligt på det foreskrevne sted. Forkert installation kan medføre elektrisk stød, brand og/eller fejlfunktion.



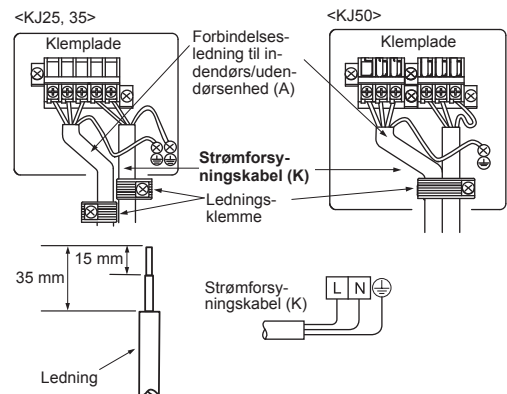
Brug denne skrue til at montere forbindelseskablet, når interface og tilslutningskablet skal fastgøres.

3. INSTALLATION AF UDENDØRSENHED

3-1. TILSLUTNING AF LEDNINGER TIL UDENDØRSENHED

- 1) Åbn servicepanelet.
- 2) Løsn klemmskruen, og tilslut forbindelsesledningen til indendørs/udendørsenheden (A) fra indendørsenheden til klempladen på korrekt vis. Vær omhyggelig, så ledningsføringen ikke udføres forkert. Fastgør ledningen på klempladen, således at intet af kabelkoren er synligt, og der ikke tilføres nogen ekstern kraft til klempladens forbindelsesdel.
- 3) Stram klemmskruerne godt til for at forhindre at de løsnes. Træk til sidst forsigtigt i ledningerne for at bekræfte, at de ikke går løs.
- 4) Forbind strømforsyningskablet (K).
- 5) Monter forbindelsesledningen til indendørs/udendørsenheden (A) og strømforsyningskablet (K) med ledningsklemmen.
- 6) Luk servicepanelet omhyggeligt.

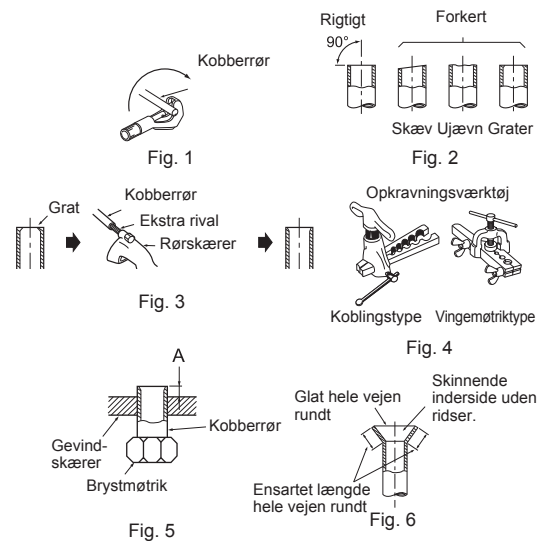
- Gør jordledningen lidt længere end de andre. (Længere end 100 mm)
- Lad ikke forbindelsesledningerne være for korte, således at vedligeholdelse lettes.
- Sørg for at fastgøre hver skrue til den tilsvarende klemme, når kablet og/eller ledningen fastgøres på klempladen.



3-2. OPKRAVNINGSSARBEJDE

- 1) Skær kobberøret på korrekt vis med en rørskærer. (Fig. 1, 2)
- 2) Fjern alle grater helt fra tværsnittet af øret. (Fig. 3)
 - Ret enden af kobberøret nedad, når der fjernes grater, således at disse ikke falder ned i kobberøret.
- 3) Fjern brystmøtrikkerne, der sidder på indendørs- og udendørsenheden, og sæt dem på øret, når graterne er fjernet (De kan ikke sættes på efter udført opkravningsarbejde).
- 4) Opkravningsarbejde (Fig. 4, 5). Hold kobberøret i den størrelse, der er vist i skemaet. Vælg A (mm) fra skemaet i henhold til det værktøj, du benytter.
- 5) Kontrollér
 - Sammenlign opkravningsarbejdet med Fig. 6.
 - Hvis opkravningsarbejdet ser ud til at være forkert, skal den opkravede sektion skæres af, og arbejdet skal udføres forfra.

Rørdiameter (mm)	Møtrik (mm)	A (mm)			Spændingsmoment	
		Værktøj af koblingstypen til R410A	Værktøj af koblingstypen til R22	Værktøj af fløj møtrikstypen til R22	N•m	kgf•cm
ø6,35 (1/4")	17	0 - 0,5	1,0 - 1,5	1,5 - 2,0	13,7 - 17,7	140 - 180
ø9,52 (3/8")	22				34,3 - 41,2	350 - 420
ø12,7 (1/2")	26			2,0 - 2,5	49,0 - 56,4	500 - 575
ø15,88 (5/8")	29				73,5 - 78,4	750 - 800



3-3. RØRFORBINDELSE

- Tilspænd en brystmøtrik med en momentnøgle som specificeret i skemaet.
- Hvis en brystmøtrik spændes for stramt, kan den gå i stykker efter længere tid og forårsage lækage af kølemiddel.
- Der skal altid vikles isolering omkring rørene. Direkte kontakt med blotlagte rør kan medføre forbrænding eller forfrysning.

Tilslutning af indendørsenheden

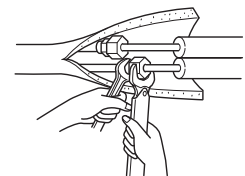
Tilslut både væske- og gasrør til indendørsenheden.

- Kom et tyndt lag køleolie (J) på rørenes opkravede ender. Påfør ikke køleolie på skruegevind. Et for stort tilspændingsmoment vil medføre beskadigelse af skruen.
- Ved tilslutning rettes midten først ind, hvorefter brystmøtrikken drejes 3-4 omgange.
- Brug oversigten over tilspændingsmomenter herover som en rettesnor for indendørsenhedens rørforskrumning, og stram til med to nøgler. For kraftig stramning vil beskadige opkravningssektionen.

Tilslutning af udendørsenheden

Forbind rørene til stopventil-rørforskrumningerne på udendørsenheden på samme måde som med indendørsenheden.

- Brug en momentnøgle eller en skrue nøgle til stramningen, og anvend det samme tilspændingsmoment som til indendørsenheden.



⚠ ADVARSEL

Tilslut omhyggeligt rørene, før kompressoren startes, når enheden installeres.

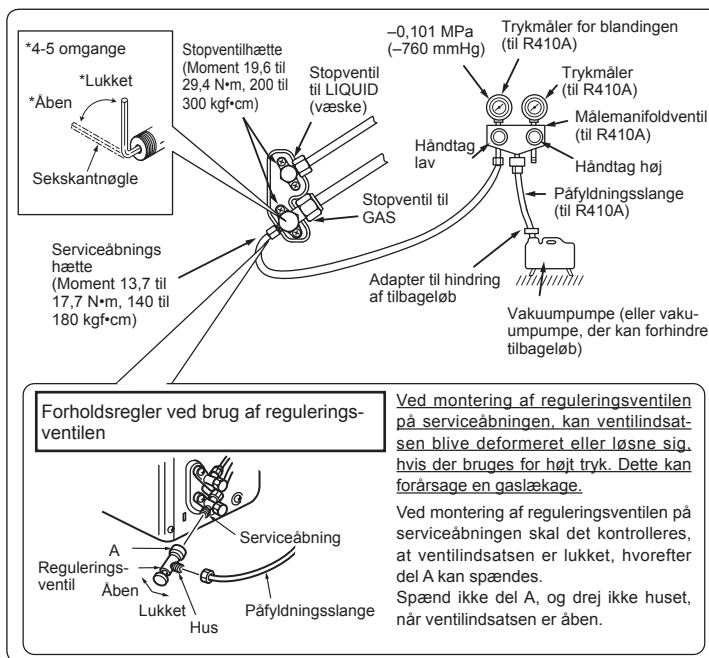
3-4. ISOLATION OG TAPEOMVIKLING

- 1) Dæk rørsamlingerne med rørbelægning.
- 2) Udendørsenhed: Isolér alle rør, inkl. ventiler, godt.
- 3) Sæt rørtape (G) på, og begynd fra udendørsenhedens indgang.
 - Fastgør enden af rørtapen (G) med tape (selvklæbende).
 - Hvis rørene skal føres over lofter, gennem skabe eller andre steder med høj temperatur og fugtighed, bør man omvikle rørene med ekstra isolationsmateriale for at forhindre kondensation.

4. UDLUFTNINGSPROCEDURER, LÆKAGETEST OG TESTKØRSEL

4-1. UDLUFTNINGSPROCEDURER OG LÆKAGETEST

- 1) Fjern serviceåbningens hætte på stopventilen på siden af gasrøret på udendørsenheden. (Stopventilerne er helt lukkede og dækket med hætter fra starten.)
- 2) Forbind manometermanifoldventilen og vakuumpumpen til stopventilens serviceåbning på gasrørssiden på udendørsenheden.
- 3) Sæt vakuumpumpen i gang. (Udtøm i mere end 15 minutter.)
- 4) Kontroller vakuum med manometermanifoldventilen, luk derefter denne, og stop vakuumpumpen.
- 5) Gør ingenting i et par minutter. Sørg for, at manometermanifoldventilens viser forbliver i den samme stilling. Kontroller, at trykmåleren viser $-0,101$ MPa [Manometer] (-760 mmHg).
- 6) Fjern hurtigt manometermanifoldventilen fra stopventilens serviceåbning.
- 7) Når kølemiddelrørene er tilsluttede og tømte, åbnes alle stophætte på begge sider af gasrøret og væskerøret helt. Uden fuld åbning vil effektiviteten mindskes, og der kan opstå problemer.
- 8) Se 1-3, og påfyld den anførte mængde kølemiddel, hvis det er nødvendigt. Sørg for at påfylde det flydende kølemiddel langsomt og påvirke klimaanlæggets præstation.
- 9) Stram hættene på serviceåbningen for at opnå den oprindelige status.
- 10) Lækagetest



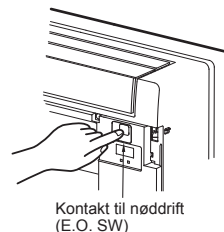
4-2. TESTKØRSEL

Kontroller, at følgende er udført.

- Panelet er installeret korrekt.
 - Indendørs- og udendørsenhederne er installeret korrekt og forsynes med strøm.
- 1) Tryk én gang på E.O. SW for COOL og to gange for HEAT. Testkørslen udføres i 30 minutter. Kontrollér, at indendørs-/udendørsenhedens forbindelsesledning (A) er korrekt tilsluttet, hvis den venstre lampe i driftsindikatoren blinker hvert halve sekund. Efter testkørslen starter nøddrift (indstillet temperatur 24°C).
 - 2) For at standse driften trykkes på E.O. SW flere gange, indtil alle lysdioder slukker. Se brugsanvisningen for yderligere oplysninger.

Kontrol af modtagning af signalet (infrarøde stråler) fra fjernbetjeningen

- Tryk på ON/OFF-knappen på fjernbetjeningen (12), og kontroller, at der lyder en elektronisk lyd fra indendørsenheden. Tryk på ON/OFF-knappen igen for at slukke klimaanlægget.
- Når kompressoren stopper, aktiveres genstartsblokeringen, og kompressoren virker ikke i 3 minutter for at beskytte klimaanlægget.



4-3. AUTO-GENSTARTSFUNKTION

Dette produkt er udstyret med en automatisk genstartsfunktion. Når strømtilførslen stopper under drift, som for eksempel ved strømafbrydelse, starter funktionen automatisk driften i den tidligere indstilling, når strømmen er kommet tilbage. (Se brugsanvisningen for yderligere oplysninger.)

Vigtigt:

- Efter testkørsel eller kontrol af fjernsignalmodtagelse skal der slukkes for enheden med E.O. SW eller fjernbetjeningen, før der slukkes for strømforsyningen. Hvis dette undlades, vil enheden starte driften automatisk, når strømforsyningen slås til igen.

Til brugeren

- Efter installation af enheden skal brugeren have den automatiske genstartsfunktion forklaret.
- Hvis den automatiske genstartsfunktion ikke er nødvendig, kan den deaktiveres. Spørg servicerepræsentanten til råds om deaktivering af funktionen. Se servicehåndbogen for yderligere oplysninger.

4-4. FORKLARING TIL BRUGER

- Benyt BRUGSANVISNINGEN, og forklar brugeren, hvordan klimaanlægget skal benyttes (hvordan fjernbetjeningen benyttes, hvordan luftfiltrene fjernes, hvordan fjernbetjeningen tages ud eller sættes i fjernbetjeningsholderen, hvordan rengøring udføres, forholdsregler ved drift osv.)
- Anbefal brugeren at læse BRUGSANVISNINGEN grundigt.

5. TØMNING

Ved flytning eller bortskaffelse af klimaanlægget skal systemet tømmes ved hjælp af følgende procedure, så der ikke udledes kølemiddel til atmosfæren.

- 1) Forbind målermanifoldventilen til stopventilens serviceåbning på gasrørssiden af udendørsenheden.
- 2) Luk stopventilen helt på udendørsenhedens væskerør.
- 3) Luk stopventilen på gasrørssiden af udendørsenheden næsten helt, så de let kan lukkes helt, når trykmåleren viser 0 MPa [Manometer] (0 kgf/cm²).
- 4) Start nøddrift i funktionen COOL (køling).
For at starte nøddrift i funktionen COOL (køling) skal du trække lysnetstikket ud og/eller slukke hovedafbryderen. Efter 15 sekunder skal du indsætte lysnetstikket og/eller tænde hovedafbryderen og derefter trykke en gang på E.O. SW. (Nøddrift i funktionen COOL (køling) kan gennemføres kontinuerligt i op til 30 minutter.)

- 5) Luk stopventilen helt på gasrørssiden af udendørsenheden, når trykmåleren viser $0,05$ til 0 MPa [Gauge] (ca. $0,5$ to 0 kgf/cm²).

- 6) Stop nøddrift i funktionen COOL (køling).

Tryk to gange på E.O. SW for at stoppe driften.

⚠ ADVARSEL

Ved tømming af kølemiddel skal kompressoren stoppes, før kølerørene afmonteres. Kompressoren kan revne, hvis der kommer luft eller lignende ind i den.

INNEHÅLL

1. FÖRE INSTALLATION.....	1	Modellnamn anges i 1-3.
2. INSTALLATION AV INOMHUSENHET	3	
3. INSTALLATION AV UTMOMHUSENHET	6	
4. TÖMNINGSRUTINER, LÄCKPROV OCH TESTKÖRNING	7	
5. URPUMPNING	7	

Verktyg som krävs för installation

Phillips skruvmejsel	4 mm sexkantnyckel
Vattenpass	Flänsverktyg för R410A
Mätsticka	Manometer med förgre- ningsrör för R410A
Kniv eller sax	Vakuumump för R410A
25, 35 klass 65 mm/ 50 klass 75 mm hälsåg	Påfyllnings slang för R410A
Momentnyckel	Rörledningskapare med brotsch
Skiftnyckel (eller blocknyckel)	

1. FÖRE INSTALLATION

1-1. FÖLJANDE SKALL ALLTID IAKTTAS AV SÄKERHETSSKÄL

- Var noga med att läsa "FÖLJANDE SKALL ALLTID IAKTTAS AV SÄKERHETSSKÄL" före installation av luftkonditioneraren.
- Var noga med att iaktta de varningar och försiktighetsföreskrifter som anges här eftersom de innehåller viktig information rörande säkerheten.
- När du har läst denna anvisning ska du förvara den tillsammans med BRUKSANVISNINGEN för framtida referens.

⚠ VARNING

(Kan leda till dödsfall, allvariga personskador, o.s.v.)

- **Installera inte enheten själv (kunden).**
En ofullständig installation kan orsaka brand, elektriska stötar, skador på grund av att enheten faller eller vattenläckage. Radfråga den återförsäljare som sålde enheten eller en behörig installatör.
- **Utför installationen på ett säkert sätt enligt installationsanvisningen.**
En ofullständig installation kan orsaka brand, elektriska stötar, skador på grund av att enheten faller eller vattenläckage.
- **Använd lämplig skyddsutrustning och verktyg när enheten installeras.**
Du kan skadas om du inte följer dessa anvisningar.
- **Installera enheten på ett säkert sätt på ett ställe som klarar enhetens tyngd.**
Om installationsstället inte klarar av enhetens vikt kan enheten falla och orsaka skador.
- **Elektriska arbeten ska utföras av en kvalificerad och erfaren elektriker i enlighet med installationsanvisningarna. Kom ihåg att använda en särskild krets. Anslut inte andra elektriska anordningar till kretsen.**
Om spänningskapaciteten är otillräcklig eller arbetena ofullständiga, kan detta orsaka brand eller elektriska stötar.
- **Jorda enheten korrekt.**
Anslut inte jordledningen till ett gasrör, vattenrör, en åskledare eller till telefonens jordledning. Felaktig jordning kan ge upphov till elektriska stötar.
- **Skada inte kablarna genom att trycka överdrivet hårt på dem med delar eller skruvar.**
Skadade ledningar kan leda till brand eller elektriska stötar.
- **Var noga med att slä av huvudströmmen om du skall installera inomhuskretskortet, liksom vid ledningsdragning.**
I annat fall kan du få en elektrisk stöt.
- **Använd de angivna kablarna för att ansluta inomhus- och utomhusenheten på ett säkert sätt och fäst kablarna ordentligt i kopplingsplinten så att kablarna blir dragavlastade. Förläng inte ledningar och använd inte mellanliggande anslutningar.**
Ofullständig anslutning och fästning kan orsaka brand.
- **Installera inte enheten på en plats där lättanvändlig gas kan läcka ut.**
Om gas läcker ut och ansamlas runt enheten, kan detta orsaka en explosion.
- **Använd ej mellankoppling för nätsladd eller förlängningsladd och anslut inte flera enheter till ett och samma vägguttag.**
Detta kan orsaka brand eller elektriska stötar på grund av dålig kontakt, dålig isolering, att tillåten ström överskrids o.s.v.
- **Använd endast medföljande eller specifikt angivna delar vid installationen.**
Om du använder felaktiga delar kan det orsaka personskada eller vattenläckage på grund av brand, elektriska stötar, att enheten faller o.s.v.
- **När du sätter i väggkontakten ska du se till att varken uttag eller kontakt innehåller damm eller lösa delar, eller är igentäppta. Kontrollera att väggkontakten sitter ordentligt inskjuten i uttaget.**
Kontakt eller uttag som innehåller damm eller lösa delar eller är igentäppta kan orsaka elstöt eller brand. Om du hittar lösa delar på kontakten ska du byta den.
- **Fäst skyddet över de elektriska delarna på inomhusenheten och servicepanelen på utomhusenheten ordentligt.**
Om skyddet över de elektriska delarna på inomhusenheten och/eller servicepanelen på utomhusenheten inte fästs ordentligt, kan detta orsaka brand eller elektriska stötar på grund av damm, vatten o.s.v.
- **Vid installation, flytt eller service av enheten, säkerställ att inget annat ämne än det specificerade köldmediumet (R410A) kommer in i kylledningarna.**
Närvaron av en främmande substans som t.ex. luft kan orsaka en onormal tryckökning och leda till explosion eller skador. Användning av något annat köldmedium är det som anges för systemet kan ge upphov till mekanisk skada, fel i systemet eller att systemet slutar fungera. I värsta fall kan de leda till allvariga problem med att säkerställa produktens säkerhet.
- **Släpp inte ut köldmedium i atmosfären. Om köldmedium läcker ut under installationen skall rummet vädras ut.**
Om köldmedium kommer i kontakt med eld kan skadliga gaser bildas. Köldmedelsläckage kan leda till kvävning. Tillhandahåll ventilation i enlighet med EN378-1.
- **Kontrollera att köldmediumgasen inte läcker ut efter att installationen har slutförts.**
Om köldmediumgas läcker ut inomhus och kommer i kontakt med lågorna i en fläktförvärmare, en rumsuppvärmare, kamin el.dyl., bildas skadliga ämnen.
- **Använd lämpliga verktyg och rörledningsmaterial vid installation.**
Trycket i R410A är 1,6 gånger högre än i R22. Fel verktyg eller material och ofullständig installation kan leda till brustna rörledningar eller skador.
- **Vid utpumpning av köldmedium ska kompressorn stoppas innan kylningsrören kopplas bort.**
Om kylningsrören kopplas bort medan kompressorn är igång och spärventilen är öppen kan luft komma in, och trycket i kylningscykeln kan bli onormalt högt. Detta kan leda till brustna rörledningar eller skador.
- **Vid installation av enheten ska kylningsrören anslutas ordentligt innan kompressorn startas.**
Om kompressorn startas innan kylningsrören anslutits och medan spärventilen är öppen kan luft komma in, och trycket i kylningscykeln kan bli onormalt högt. Detta kan leda till brustna rörledningar eller skador.
- **Flänsmuttrar ska dras åt med momentnyckel i enlighet med denna anvisning.**
Om den dras åt för hårt, kan flänsmuttern gå sönder efter lång tid och orsaka läckage av köldmedium.
- **Enheten ska installeras i enlighet med nationella bestämmelser rörande ledningsdragning.**

⚠ FÖRSIKTIGHET

(Kan orsaka allvariga personskador vid felaktig användning i vissa miljöer.)

- **Installera en jordfelsbrytare beroende på var enheten installeras.**
Om en jordfelsbrytare inte monteras föreligger risk för elektriska stötar.
- **Utför dränerings-/rördragningsarbetet på ett säkert sätt enligt installationsanvisningen.**
Om något är fel i dräneringen/rördragningen kan vatten droppa från enheten, och blöta ned och skada hushållsutrustning.
- **Rör inte utomhusenhetens luftintag eller aluminiumflänsar.**
Det kan leda till skador.
- **Installera inte utomhusenheten där det kan finnas smådjur.**
Om smådjur kommer in och vidrör de elektriska delarna inne i enheten kan felfunktioner, rökutveckling eller brand uppstå. Uppmana även kunden att hålla rent på området runt enheten.

1-2. VAL AV PLATS FÖR INSTALLATIONEN

IINOMHUSENHET

- Där luftflödet inte blockeras.
- Där luft sprids över hela rummet.
- Stabil vägg utan vibrationer.
- Där den inte utsätts för direkt solljus. Utsatt inte heller enheten för direkt solljus från det att den packats upp tills det att den används.
- Där den enkelt kan dräneras.
- På minst 1 m avstånd från din TV och radio. Luftkonditioneraren kan vid drift störa radio- och TV-mottagningen. En signalförstärkare kan komma att behövas för den utrustning som störs.
- På en plats så långt från lysrör och glödlampor som möjligt (så att den infraröda fjärrkontrollen kan styra luftkonditioneraren normalt).
- Där luftfiltret enkelt kan tas bort och bytas.

FJÄRRKONTROLL

- Där den är enkel att använda och väl synlig.
- Där den är utom räckhåll för barn.
- Välj en plats där inomhusenheten med säkerhet kan ta emot signalen från fjärrkontrollen. Kontrollera att signalerna från fjärrkontrollen tas emot av inomhusenheten från denna position (signalerna "pip" eller "pip, pip" hörs från mottagaren). Montera därefter fjärrkontrollens hållare på en pelare eller en vägg och placera fjärrkontrollen där.

Obs:

I rum med fluorescerande lampor av invertertyp kan signalen från den trådlösa fjärrkontrollen eventuellt inte tas emot.

UTMOMHUSENHET

- Där den inte utsätts för kraftig vind.
- Där luftflödet är tillräckligt och fritt från damm.
- Där regn och direkt solljus kan undvikas så mycket som möjligt.
- Där grannarna inte störs av driftsljud eller varm luft.
- Där det finns en stabil vägg eller ett stabilt stöd som förhindrar förstärkning av driftsljud och vibrationer.
- Där det inte finns någon risk för att brännbara gaser läcker ut.
- När du installerar enheten högt, var noga med att göra fast enhetens ben.
- Minst 3 m från TV- och radioantennerna. Luftkonditioneraren kan vid drift störa radio- eller TV-mottagningen i områden med dåliga mottagningsförhållanden. En signalförstärkare kan komma att behövas för den utrustning som störs.
- Installera enheten horisontellt.
- Installera den på en plats som ej utsätts för snö. I områden där det förekommer snöfall, sätt upp en markis, en sockel och/eller några baffelbrädor.

Obs:

Det rekommenderas att man gör en rörledningsöglå nära utomhusenheten för att minimera vibrationerna från denna.

Obs:

När luftkonditioneraren används vid låg utomhustemperatur, se till att följa anvisningarna nedan.

- Installera aldrig utomhusenheten på en plats där dess luftintags-/luftutsläppssida kan utsättas direkt för vind.
- För att förhindra att den utsätts för vind, installera utomhusenheten med luftintagssidan mot vägen.
- För att förhindra att den utsätts för vind rekommenderas att en baffelbräda installeras på utomhusenhetens luftutsläppssida.
- Undvik att installera luftkonditioneraren på följande platser, där det finns risk att det uppstår problem.
 - Där brandfarliga gaser kan läcka ut.
 - På platser med mycket maskinolja.
 - Där olja kan stänka eller oljig rök finns i luften (t.ex. i kök eller fabriker, där plastens egenskaper kan förändras eller skadas).
 - Saltbemängda omgivningar som t.ex. havsstränder.
 - Där sulfidgas bildas, som t.ex. vid heta källor.
 - Där det finns högfrekvensutrustning eller trådlös utrustning.
 - Där det finns höga emissionsnivåer av VOC:er, inklusive flätsammansättningar, formaldehyd osv., som kan orsaka kemisk sprickbildning.

1-3. SPECIFIKATIONER

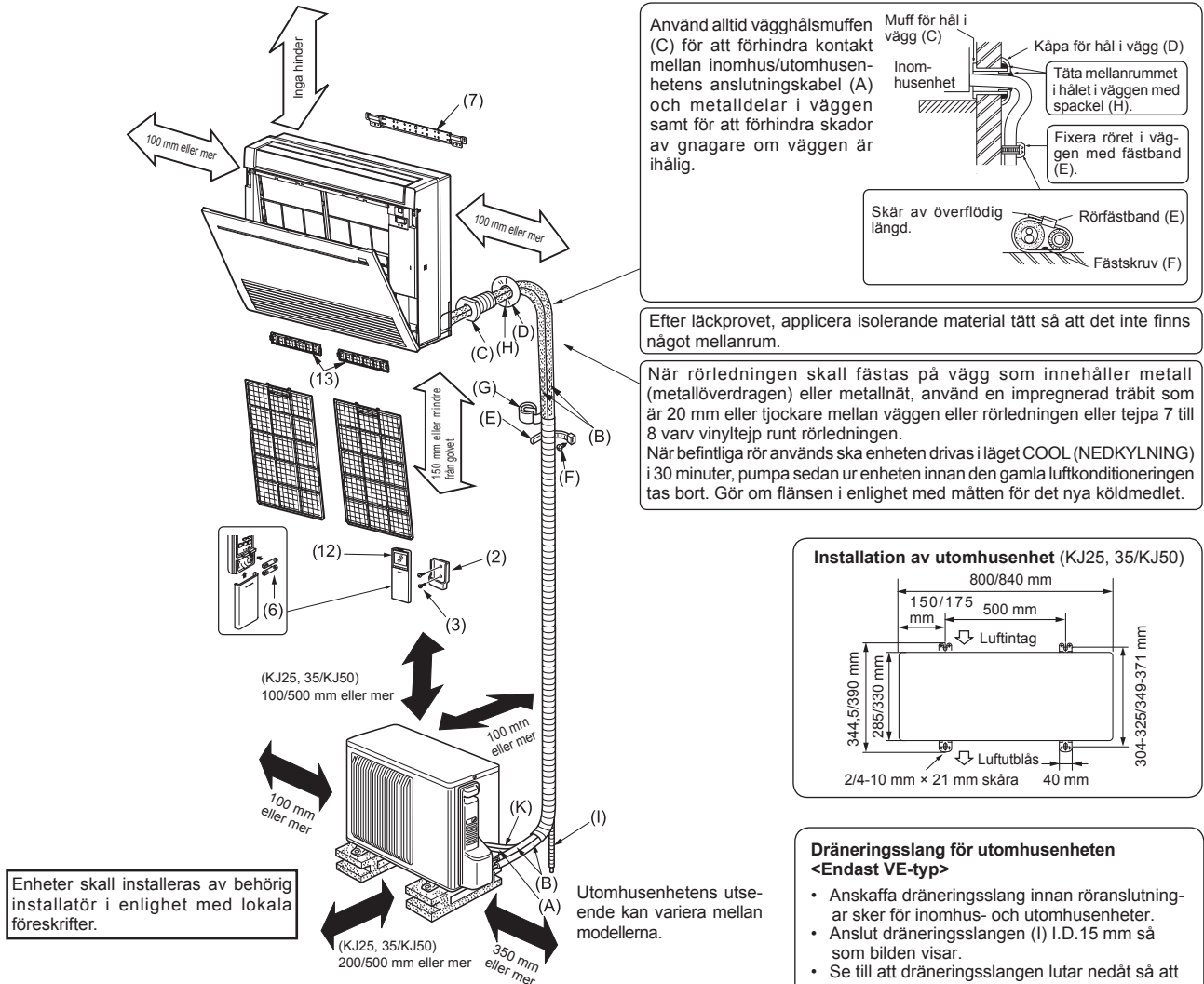
Modell		Strömtillförsel *1			Kabelspecifikationer *2		Rörstorlek (tjocklek *3, *4)	(KJ25, 35/KJ50)	
Inomhusenhet	Utomhusenhet	Märkspänning	Frekvens	Brytarkapacitet	Strömtillförsel (3-ledare)	Anslutningskabel för inomhus-/utomhusenhet	Gas / Vätska	Rörlängd och höjdskillnad	
MFZ-KJ25VE	MUFZ-KJ25VE(HZ)	230 V	50 Hz	10 A	1,0 mm ²	4-ledare 2,0 mm ²	ø9,52 / 6,35 mm (0,8 mm)	Max. rörlängd	20/30 m
MFZ-KJ35VE	MUFZ-KJ35VE			12 A	1,5 mm ²			Max. höjdskillnad	12/15 m
MFZ-KJ35VE	MUFZ-KJ35VEHZ			16 A	2,0 mm ²			Max. antal böjar *5, *6	10
MFZ-KJ50VE	MUFZ-KJ50VE(HZ)							Anpassning av mängd köldmedium A *7	30/20 g/m
								Isolerings tjocklek *8, *9	8 mm

- *1 Anslut strömbrytare som har ett gap om 3 mm eller mer då den är öppen för att bryta källans strömfas. (När strömbrytaren slås av, måste den bryta alla faser.)
 *2 Använd kablar i enlighet med design 60245 IEC 57.
 *3 Använd aldrig rörledningar med en tjocklek som understiger specifikationen. Trycktåligheten blir otillräcklig.
 *4 Använd kopparrör eller heldragna rör av en kopparlegering.

- *5 Var försiktig så att rören inte kläms eller böjs vid rörböckning.
 *6 Böckningsradien på kylningsrören måste vara minst 100 mm.
 *7 Om rörlängden är längre än 7 m måste extra köldmedium (R410A) fyllas på. (Ingen extra påfyllning krävs för rörlängd som är kortare än 7 m.)
 Extra köldmedel = A × (rörlängd (m) - 7)

- *8 Isoleringsmaterial : Värmebeständig skumplast, densitetstal 0,045
 *9 Tillse att isolering av angiven tjocklek används. För väl tilltagen tjocklek kan orsaka felaktig installation av inomhusenheten, och otillräcklig tjocklek kan orsaka fukt dropp.

1-4. INSTALLATIONSDIAGRAM



TILLBEHÖR

Kontrollera följande delar innan installation.

(1) Dräneringsslang*	1
(2) Fjärrkontrollens hållare	1
(3) Fästskruv för (2) 3,5 × 16 mm (svart)	2
(4) Rörskydd	1
(5) Band	2
(6) Batteri (AAA) för (12)	2
(7) Inomhusenhetens monteringsfäste	1
(8) Fästskruv för (7) 4 × 25 mm	5
(9) Tråskruv för montering av inomhusenhet	4
(10) Bricka för (9)	4
(11) Filtejp (för vänster eller vänster bakre rör)	1
(12) Fjärrkontroll	1
(13) Luftrenarfilter	2

* Obs:

Dräneringsslangen är ansluten till enheten.
 <Utomhusenhet>

(14) Dräneringsanslutning (Endast VE-typ)	1
---	---

DELAR SOM SKALL TILLHANDAHÅLLAS LOKALT

(A) Anslutningskabel för inomhus- och utomhusenhet*	1
(B) Förlängningsrör	1
(C) Muff för hål i vägg	1
(D) Kåpa för hål i vägg	1
(E) Rörfästband	2 - 5
(F) Fästskruv för (E) 4 × 20 mm	2 - 5
(G) Rörtejp	1
(H) Spackel	1
(I) Dräneringsslang (eller mjuk PVC-slang, 15 mm innerdiameter eller hårt PVC-rör VP16)	1 eller 2
(J) Kylolja	1
(K) Nätssladd*	1

* Obs:

Fäst inom- och utomhusenhetens anslutningskabel (A) och nätssladden (K) minst 1 m bort från kablar för tv-antennar.

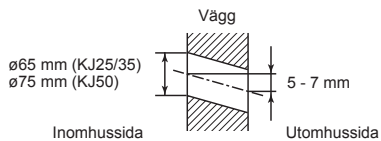
2. INSTALLATION AV INOMHUSENHET

2-1. MONTERA INOMHUSENHETENS MONTERINGSFÄSTE

- Hitta ett byggnadsmaterial (t.ex. en regel) i väggen och montera fästet (7) horisontellt med fästskruvar (8).
- För att förhindra att monteringsfästet (7) vibrerar, se till att sätta fästskruvarna i hålen som visas på bilden. Som ytterligare stöd kan fästskruvar även sättas dit i andra hål.

2-2. BORRNING AV HÅL

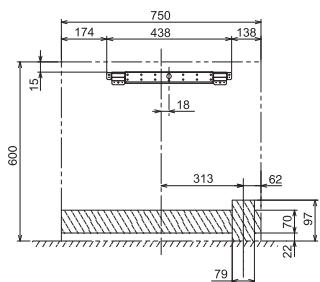
- 1) Bestäm var hålet i väggen skall placeras.
- 2) Borra ett hål med 65 mm diameter (dia. 75 mm för KJ50). Utomhussidan skall vara 5 till 7 mm lägre än inomhussidan.
- 3) Sätt dit vägghålsuffen (C).



LÄGEN FÖR HÅL

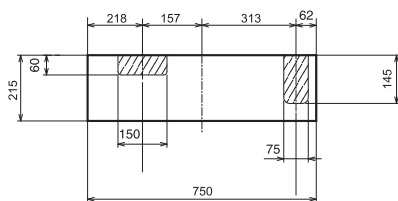
FÖR RÖRDRAGNING BAKÅT ELLER VÄNSTER-BAKÅT

(Figuren nedan visar inomhussenhetens installationsplats sedd framifrån.)

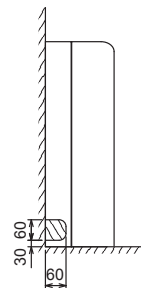


FÖR RÖRDRAGNING ÅT HÖGER ELLER VÄNSTER-NEDÅT

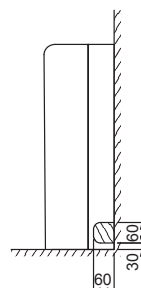
(Figuren nedan visar inomhussenhetens undersida sedd uppifrån.)



FÖR RÖRDRAGNING ÅT VÄNSTER



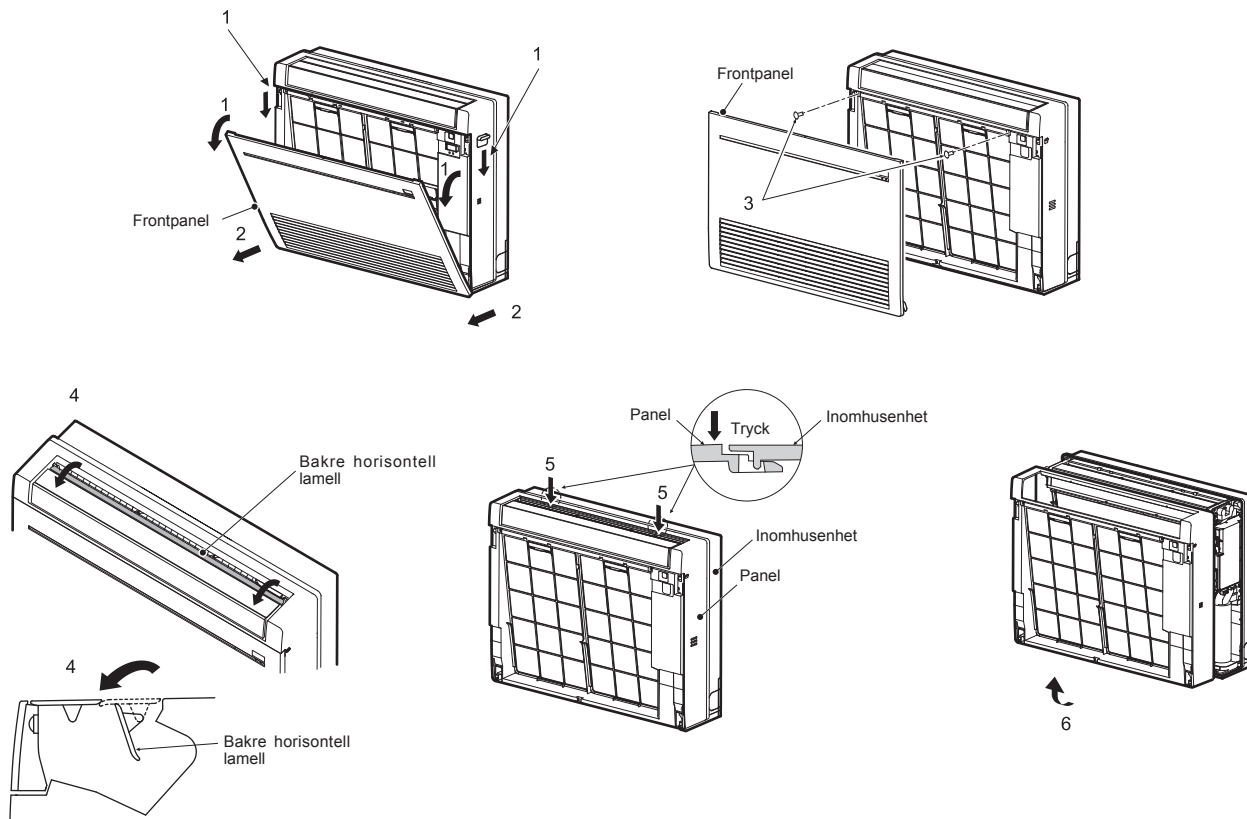
FÖR RÖRDRAGNING ÅT HÖGER



2-3. FÖRBEREDA INOMHUSENHETEN

Ta bort frontpanelen från inomhussenheten.

- 1) Tryck på tungan på båda sidorna av enheten för att öppna frontpanelen.
- 2) Ta bort frontpanelen genom att dra den mot dig.
- 3) Ta bort de 2 skruvarna.
- 4) Öppna den bakre horisontella lamellen.
- 5) Tryck på de 2 ställena ovanpå panelen och dra sedan panelens övre del mot dig.
- 6) Ta bort panelen samtidigt som du lyfter upp den (en aning).



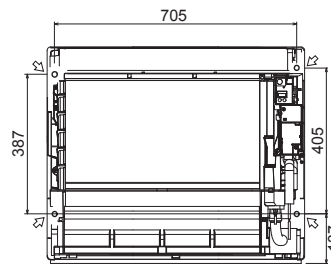
2-4. INSTALLATION AV INOMHUSENHET

2-4-1. INSTALLERA INOMHUSENHETEN PÅ GOLVET

1. Placera inomhusenheten på det plana golvet.
2. Fäst inomhusenheten på 4 platser med de medföljande träskruvarna (9) och brickorna (10). Dra åt skruvarna ordentligt.

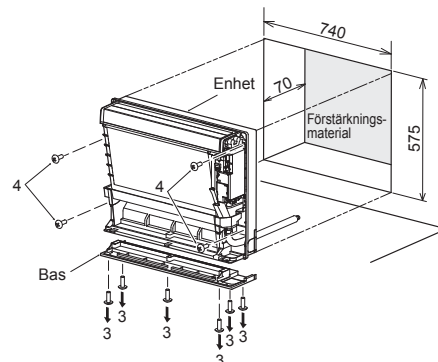
2-4-2. MONTERA INOMHUSENHETEN PÅ VÄGGEN

1. Haka fast inomhusenhetens övre del på inomhusenhetens monteringsfästen (7).
2. Fäst inomhusenheten på 4 platser med de medföljande träskruvarna (9) och brickorna (10). Dra åt skruvarna ordentligt.



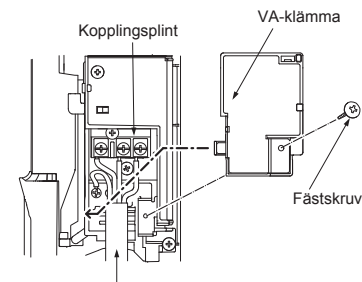
2-4-3. BÄDDA IN INOMHUSENHETEN I EN VÄGG

1. Borra ett hål i väggen.
2. Använd förstärkningsmaterial och justera djupet.
3. Ta bort de 6 skruvarna som fäster basen vid enheten. Ta bort basen från enheten.
4. Fäst inomhusenheten på 4 platser med de medföljande träskruvarna (9) och brickorna (10). Dra åt skruvarna ordentligt.



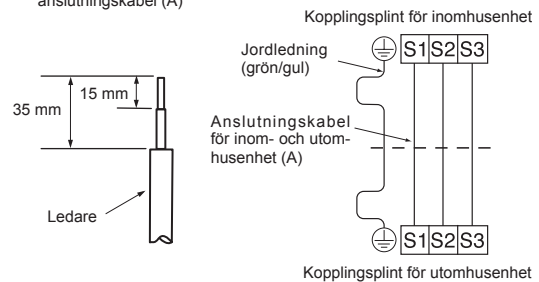
2-5. ANSLUTNINGSKABLAR FÖR INOMHUSENHET

- 1) Ta bort VA-klämman.
- 2) För inomhus- och utomhusenhetens anslutningskabel (A) från inomhusenhetens baksida och bearbeta kabelns ände.
- 3) Lossa kopplingskruven och anslut först jordledningen, sedan inomhus- och utomhusenhetens anslutningskabel (A) till kopplingsplinten. Se till att sladdarna inte ansluts på felaktigt sätt. Fäst kabeln i kopplingsplinten ordentligt så att ingen del av kärnan visas och ingen yttre kraft överförs till den anslutande delen på kopplingsplinten.
- 4) Dra åt kopplingskruvarna ordentligt så att de inte lossnar. Efter åtdragningen, dra lätt i kablarna för att kontrollera att de inte rör sig.
- 5) Sätt fast inom-/utomhusenhetens anslutningskabel (A) samt jordkabeln med VA-klämman. Glöm inte att haka fast VA-klämmans vänstra klo. Montera VA-klämman ordentligt.



Inom-/utomhusenhetens anslutningskabel (A)

- Gör jordledningen lite längre än de övriga. (Mer än 45 mm)
- För senare underhåll, gör anslutningskablarna extra långa.
- Bunta inte ihop överflödiga kablar och försök inte klämma in dem i ett trångt utrymme. Var försiktig så att du inte skadar kablarna.
- Se till att alla skruvar monteras i motsvarande uttag när sladden och/eller ledningen fästs i kopplingsblocket.



2-6. RÖRFORMNING OCH INSTALLATION

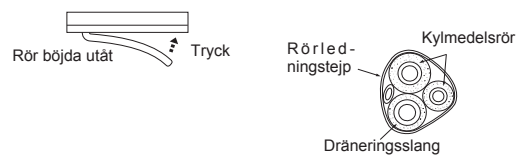
Rörformning

- Dra dräneringsslangen diagonalt under anslutningsrören.
- Kontrollera att dräneringsslangen inte dras uppåt och att det inte finns böjar i slangen.
- Linda tejp runt dräneringsslangen utan att dra i den.
- Dra röret så att det inte skjuter ut längre än inomhusenhetens baksida. (Se figuren till höger.)

Montering av anslutningsrör

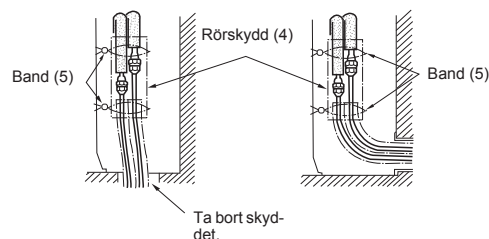
- Montera anslutningsrören så att rören kan flytta sig en aning framåt, bakåt, åt vänster och höger.

- Kom ihåg att isolera anslutningsrören så att de inte kommer i kontakt med panelen.
- Var försiktig så att inte anslutningsrören krossas när de böjs.



HÖGER NEDÅTGÅENDE RÖR

ÖVRIGA RÖR



FÖR RÖRDRAGNING ÅT VÄNSTER ELLER VÄNSTER-BAKÅT

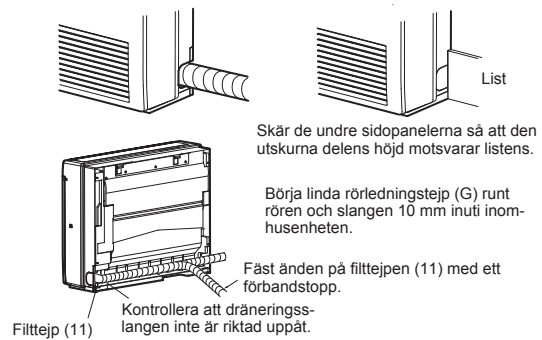
Samla ihop anslutningsrören och dräneringsslangen och linda dem med filtejp (11).

Skär och använd de undre sidopanelerna på inomhusenhetens vänstra och högra sida så som visas.

Jämn till skärtyorna på sidopanelerna så att de inte skadar isoleringen.

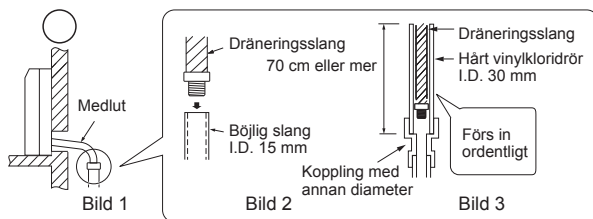
- För rördragning åt vänster eller höger
- Installera invid en vägg med list

Linda filtejp (11) ordentligt runt rören och slangen, med början i närheten av platsen där rören och slangen kommer ut från inomhusenheten. (Filtejpen (11) ska inte överlappas med mer än 1/2 av tejpens bredd.)

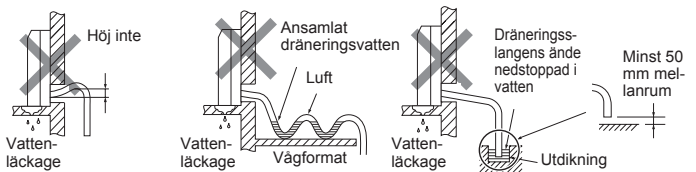


2-7. DRÄNERINGSRÖR

- Om dräneringsslangen måste passera genom ett rum, var noga med att omsluta den med isoleringsmaterial som finns i handeln.
- Dräneringsslangen bör peka nedåt för att dräneringen skall gå lätt. (Bild 1)
- Om den dräneringsslang som följer med inomhusenheten är för kort, kan den förlängas lokalt med en slang (I). (Bild 2)
- När dräneringsslangen ansluts till ett hårt vinylkloridrör ska du kontrollera att den förs in ordentligt i röret. (Bild 3)

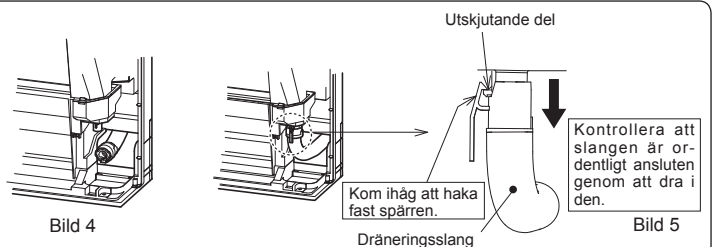


Se till att inte dräneringsslangen droppar så som visas nedan.



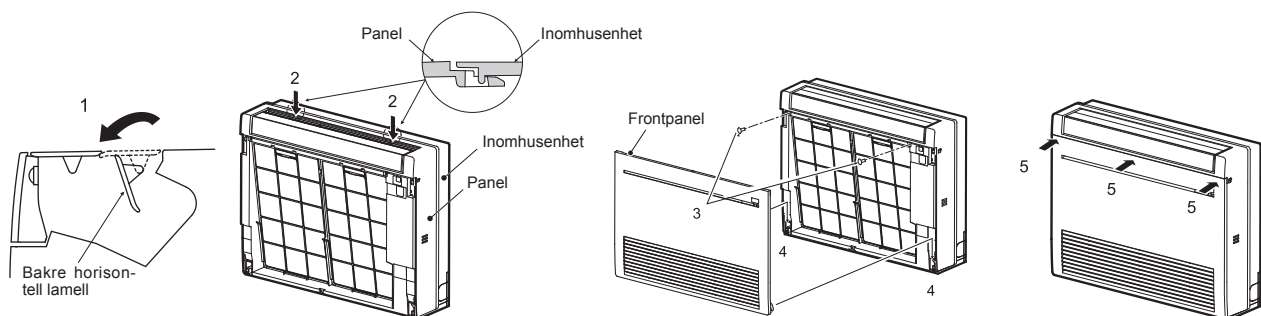
Dräneringsslangen är borttagen under installationen.

- Kontrollera att dräneringsslangen (1) dras så som visas när dräneringsrören dras. (Bild 4)
 - För in dräneringsslangen helt ned i botten på dräneringstråget (slutkoppling). (Bild 5)
- Kontrollera att dräneringsslangens spärr har hakats fast ordentligt på den utskjutande delen av dräneringstrågets slangkoppling.
- Kontrollera att dräneringsslangen sitter fast ordentligt efter anslutningen genom att dra i den.



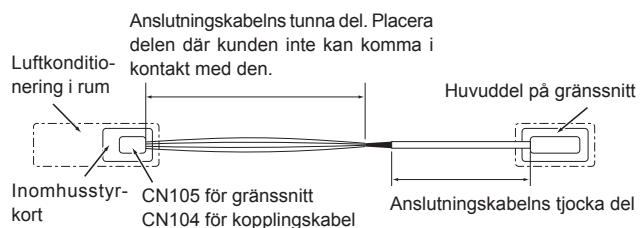
2-8. INSTALLERA FRONTPANELEN

- 1) Öppna den bakre horisontella lamellen.
- 2) Sätt fast panelen. Kontrollera att spärrarna kopplas in.
- 3) Fäst panelen med skruvar.
- 4) För in den undre delen av frontpanelen.
- 5) Stäng frontpanelen genom att trycka på 3 ställen på den övre delen av frontpanelen.



2-9. ANSLUTA ETT GRÄNSSNITT (tillval)/EN KOPPLINGSKABEL (tillval) TILL LUFTKONDITIONERINGEN

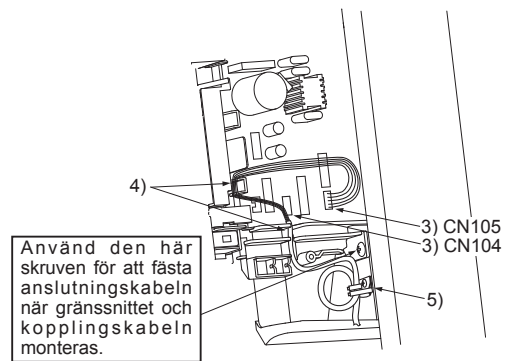
- Anslut ett gränssnitt/en kopplingskabel till inomhusstyrkortet på en luftkonditionering med en anslutningskabel.
- Fel kan uppstå vid anslutningen om anslutningskabeln för gränssnittet/kopplingskabeln kapas eller förlängs. Bunta inte ihop anslutningskabeln med nätsladden, inom-/utomhusenhetens anslutningskabel och/eller jordledningen. Håll så långt avstånd som möjligt mellan anslutningskabeln och sådana kablar.
- Den tunna delen på anslutningskabeln ska förvaras och placeras så att kunden inte kan komma i kontakt med den.



- 1) Ta bort panelen.
- 2) Öppna luckan till inomhusstyrkortet.
- 3) Anslut anslutningskabeln till CN105 och/eller CN104 på inomhusstyrkortet.
- 4) Dra anslutningskabeln genom punkten som visas på bilden.
- 5) Sätt fast kabelklämman som medföljer gränssnittet/kopplingskabeln på anslutningskablenns tjocka del med en skruv 4x16 så som visas på bilden.
- 6) Stäng luckan till inomhusstyrkortet. Var försiktig så att den tunna delen på anslutningskabeln inte fastnar i luckan. Sätt tillbaka panelen.

⚠ VARNING

Montera anslutningskabeln ordentligt på den angivna platsen. Felaktig installation kan orsaka elektriska stötar, brand och/eller felaktig funktion.

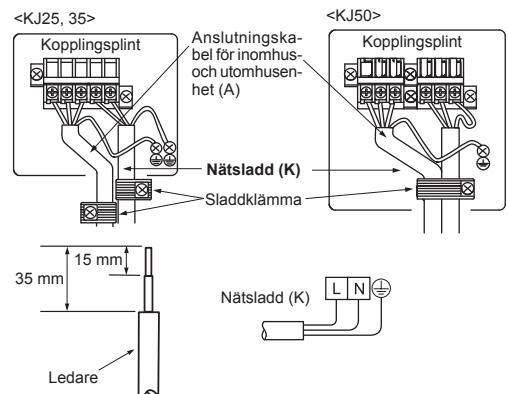


3. INSTALLATION AV UTMOMHUSENHET

3-1. ANSLUTNINGSKABLAR FÖR UTMOMHUSENHET

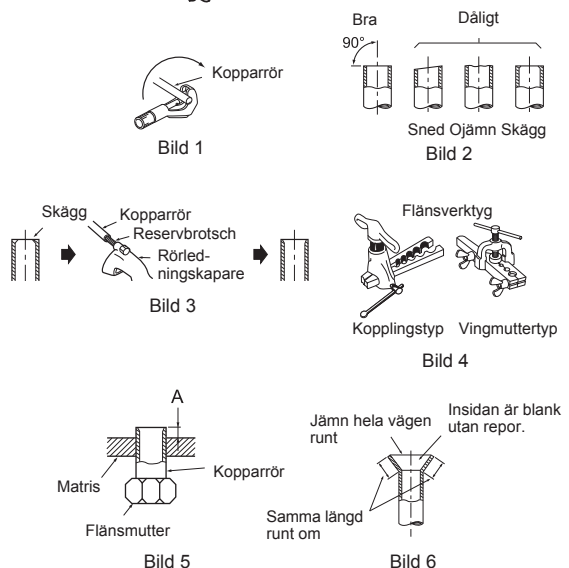
- 1) Öppna servicepanelen.
- 2) Lossa kopplingskruven och anslut anslutningskabeln (A) för inom- och utomhusenheten på felaktigt sätt. Fäst kabeln i kopplingsplinten ordentligt så att ingen del av kärnan visas och ingen yttre kraft överförs till den anslutande delen på kopplingsplinten.
- 3) Dra åt kopplingskruvarna ordentligt så att de inte lossnar. Efter åtdragningen, dra lätt i kablarna för att kontrollera att de inte rör sig.
- 4) Anslut nätsladden (K).
- 5) Fäst inom- och utomhusenhetens anslutningskabel (A) och nätsladd (K) med sladdklämman.
- 6) Stäng servicepanelen ordentligt.

- Gör jordledningen lite längre än de övriga. (Mer än 100 mm)
- För senare underhåll, gör anslutningskablarna extra långa.
- Se till att alla skruvar monteras i motsvarande uttag när sladden och/eller ledningen fästs i kopplingsblocket.



3-2. UPPFLÄNSNINGARBETE

- 1) Skär av kopparledningen med en rörledningskapare. (Bild 1, 2)
- 2) Ta bort allt skägg från de avskurna delarna. (Bild 3)
 - Rikta änden på kopparröret nedåt medan du tar bort skägg, för att inte skägg ska falla ner i röret.
- 3) Avlägsna flänsmuttrarna från inomhus- och utomhusenheterna och sätt dem på ledningen när du har tagit bort skägget. (det går inte att sätta på dem efter uppflänsningsarbetet).
- 4) Uppflänsningsarbete (Bild 4, 5). Håll fast kopparröret i den dimension som visas i tabellen. Välj A mm från tabellen enligt verktyget du använder.
- 5) Kontroll
 - Jämför uppflänsningen med bild 6.
 - Om uppflänsningen tycks vara felaktig, skär av den flänsade delen och utför uppflänsningen igen.



Rördiameter (mm)	Mutter (mm)	A (mm)			Åtdragningsmoment	
		Kopplings- verktyg för R410A	Kopplings- verktyg för R22	Vingmut- terverktyg R22	N•m	kgf•cm
ø 6,35 (1/4")	17	0 - 0,5	1,0 - 1,5	1,5 - 2,0	13,7 - 17,7	140 - 180
ø 9,52 (3/8")	22			34,3 - 41,2	350 - 420	
ø 12,7 (1/2")	26			49,0 - 56,4	500 - 575	
ø 15,88 (5/8")	29			73,5 - 78,4	750 - 800	

3-3. RÖRANSLUTNING

- Fäst en flänsmutter med en momentnyckel enligt vad som anges i tabellen.
- Om flänsmuttern dras åt för hårt kan den gå sönder efter en längre tid och göra att köldmedium läcker.
- Kom ihåg att linda isolering runt rören. Direktkontakt med bara rör kan leda till brännskador eller köldskador.

Anslutning av inomhusenhet

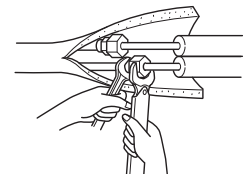
Anslut både vätske- och gasrör till inomhusenheten.

- Stryk på ett tunt skikt kylolja (J) på rörens flänsade ändar. Stryk inte på kylolja på skruvgångarna. För högt åtdragningsmoment gör att skruven skadas.
- För att ansluta, lägg först rören i linje med varandra och drag sedan åt flänsmuttern 3-4 varv.
- Använd tabellen för åtdragningsmoment ovan som riktlinje för inomhusenhetens anslutningsdel och dra åt med två nycklar. Om du drar åt för mycket skadas flänsdelen.

Anslutning av utomhusenhet

Anslut rör till spärrventilanslutningen på utomhusenheten på samma sätt som på inomhusenheten.

- Använd en momentnyckel eller skiftnyckel vid åtdragning och samma åtdragningsmoment som för inomhusenheten.



⚠ VARNING

Vid installation av enheten ska kylningsrören anslutas ordentligt innan kompressorn startas.

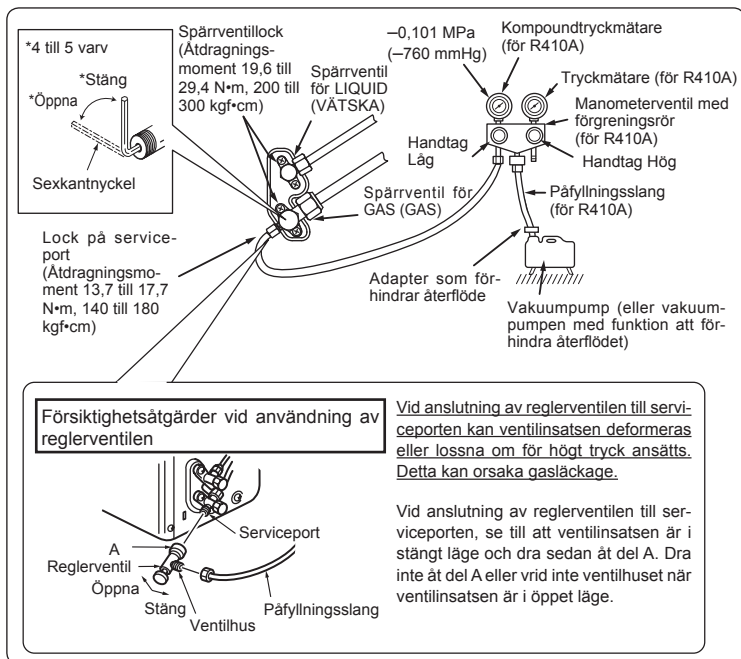
3-4. ISOLERING OCH TEJPNING

- 1) Täck över anslutningar med rörskydd.
- 2) På utomhussidan skall alla rör isoleras inklusive ventiler.
- 3) Använd röretejp (G) och lägg på tejp från ingången på utomhusenheten.
 - Sluta tejsa vid änden på röretejp (G) (med limdel kvar).
 - Om rören måste dras ovanför innertaket, i garderob eller andra platser där temperaturen och fuktigheten är hög, ska du linda extra isolering som finns tillgänglig i handeln runt rören för att förhindra kondensering.

4. TÖMNINGSRUTINER, LÄCKPROV OCH TESTKÖRNING

4-1. TÖMNINGSRUTINER OCH LÄCKPROV

- 1) Ta bort locket på serviceporten på spärrventilens sida av utomhusenhetens gasrör. (Spärrventilerna är helt stängda och täckta med lock i ursprungligt skick.)
- 2) Anslut ingasmanometerventilen och vakuumpumpen till spärrventilens serviceport på utomhusenhetens gasrörssida.
- 3) Kör vakuumpumpen. (Vakuumisera i mer än 15 minuter.)
- 4) Kontrollera vakuum med ingasmanometerventilen, stäng sedan ingasmanometerventilen och stoppa vakuumpumpen.
- 5) Lämna det som det är under en eller två minuter. Se till att pilen på ingasmanometerventilen står kvar i samma läge. Kontrollera att tryckmätaren visar $-0,101$ MPa [Mätare] (-760 mmHg).
- 6) Avlägsna snabbt ingasmanometerventilen från serviceporten på spärrventilen.
- 7) När köldmediumrören anslutits och avluftats, öppna spärrventilerna helt på båda sidorna av gasröret och vätskerörerna. Om du kör apparaten utan att öppna dem helt sänker det prestandan och orsakar problem.
- 8) Se 1-3. och fyll på föreskriven köldmediemängd vid behov. Fyll på flytande köldmedium långsamt. Annars kan köldmedieblandningen i systemet förändras och påverka luftkonditionerarens prestanda.
- 9) Dra åt locket på serviceporten får att återställa grundstatus.
- 10) Läckprov

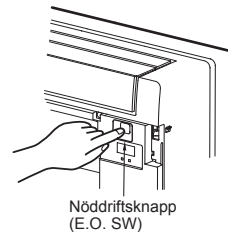


4-2. TESTKÖRNING

Kontrollera att följande har utförts.

- Panelen är installerad på rätt sätt.
- Inom- och utomhusenheterna är installerade på rätt sätt och ström matas.

- 1) Tryck på E.O. SW en gång för COOL (KYLNING), och två gånger för HEAT (VÄRME). Testkörning utförs i 30 minuter. Om den vänstra lampan på funktionsindikatorn blinkar var 0,5:e sekund, kontrollera då om inom- och utomhusenhetens anslutningskabel (A) är felansluten. Efter testkörningen startar läget för nöddrift (inställd temperatur 24°C).
- 2) För att stoppa driften, tryck flera gånger på E.O. SW tills alla lysdioder släcks. Se bruksanvisningen för mer information.



Kontroll av fjärrkontrollens (infraröda) signalmottagning

Tryck på ON/OFF på fjärrkontrollen (12) och kontrollera att ett elektroniskt ljud hörs från inomhusenheten. Tryck en gång till på ON/OFF för att stänga av luftkonditioneringsapparaten.

- När kompressorn stannat, kopplas en stoppmechanism in som förhindrar kompressorn från att omstartas under 3 minuter för att skydda luftkonditioneringsapparaten mot skador.

4-3. AUTOMATISK OMSTARTFUNKTION

Den här produkten är utrustad med en automatisk omstartfunktion. När strömförsörjningen avbryts under drift, som t.ex. vid strömavbrott, startar funktionen automatiskt drift i den tidigare inställningen när strömförsörjningen återupptas. (Se bruksanvisningen för mer information.)

Försiktighet:

- Efter testkörning eller kontroll av fjärrkontrollens signalmottagning, stäng av enheten med E.O. SW eller fjärrkontrollen innan strömförsörjningen stängs av. Om detta inte görs, startas enheten automatiskt när strömförsörjningen återupptas.

Till kunden

- När enheten har installerats ska den automatiska omstartfunktionen förklaras för kunden.
- Om den automatiska omstartfunktionen inte behövs kan den deaktiveras. Kontakta servicerepresentanten för att deaktivera funktionen. Se bruksanvisningen för mer information.

4-4. FÖRKLARING TILL KUNDEN

- Använd BRUKSANVISNINGEN och förklara för kunden hur man använder luftkonditioneraren (hur man använder fjärrkontrollen, hur man tar bort luftfiltren, hur man tar bort eller sätter dit fjärrkontrollhallaren, hur man rengör, försiktighetsåtgärder vid drift o.s.v.)
- Rekommendera kunden att noggrant läsa igenom BRUKSANVISNINGEN.

5. URPUMPNING

Vid omplacering eller avyttrande av luftkonditioneraren, följ nedanstående anvisningar för att pumpa ur systemet så att inte köldmedium släpps ut i atmosfären.

- 1) Anslut ingasmanometerventilen till spärrventilens serviceport på utomhusenhetens gasrörssida.
- 2) Stäng spärrventilen helt på utomhusenhetens vätskerörssida.
- 3) Stäng spärrventilen nästan helt på utomhusenhetens gasrörssida så att den enkelt kan stängas helt när tryckmätaren visar 0 MPa [Mätare] (0 kgf/cm²).
- 4) Starta nöddrift i läget COOL (NEDKYLNING).
Starta nöddrift i läget COOL (NEDKYLNING) genom att dra ut nätkontakten och/eller stäng av strömbrytaren. Efter 15 sekunder, anslut nätkontakten och/eller slå på strömbrytaren och tryck därefter en gång på knappen E.O. SW. (Nöddrift i läget COOL (NEDKYLNING) kan köras konstant i upp till 30 minuter).
- 5) Stäng spärrventilen helt på utomhusenhetens gasrörssida när manometern visar $0,05 - 0$ MPa [Mätare] (Ca. $0,5 - 0$ kgf/cm²).
- 6) Stoppa nöddrift i läget COOL (NEDKYLNING).
Tryck på E.O. SW två gånger för att stoppa driften.

⚠ VARNING

Vid utpumpning av köldmedium ska kompressorn stoppas innan kylningsrören kopplas bort. Kompressorn kan spricka om luft osv. tränger in i den.

İÇİNDEKİLER

1. TESİS ETME İŞLEMİNDEN ÖNCE	1
2. İÇ ÜNİTENİN TESİSİ	3
3. DIŞ ÜNİTENİN TESİSİ	6
4. TEMİZLEME PROSEDÜRLERİ, SIZINTI TESTİ VE TEST ÇALIŞTIRMASI	7
5. AŞAĞI POMPALAMA	7

Model adları 1-3'te belirtilmiştir.

Tesis Etme İşlemi İçin Gerekli Aletler

Yıldız tornavida	Anahtar (ya da somun anahtarı)
Seviye	4 mm altı köşeli anahtar
Ölçek	R410A için geçmeli alet
Bıçak ya da makas	R410A için manometre manifoldu
25, 35 sınıfı 65 mm / 50	R410A için vakum pompası
sınıfı 75 mm delgi	R410A için doldurma hortumu
Tork anahtarı	Raybalı boru kesici

1. TESİS ETME İŞLEMİNDEN ÖNCE

1-1. VERİLEN BİLGİLER GÜVENLİK İÇİN DİKKATLE GÖZDEN GEÇİRİLMELİDİR

- Klima cihazını tesis etmeden önce "VERİLEN BİLGİLER GÜVENLİK İÇİN DİKKATLE GÖZDEN GEÇİRİLMELİDİR" kısmını dikkatlice okuyunuz.
- Güvenliğinizle çok yakından ilgili olmanızdan dolayı uyarı ve dikkat kısımlarını gözden geçiriniz.
- Bu kılavuzu okuduktan sonra daha sonra başvurmak üzere İŞLETME TALİMATLARIYLA birlikte saklayınız.

⚠ UYARI

(Ölüm veya ağır yaralanma uyarısını gösterir.)

- Üniteyi kendiniz (satın alıcı) tesis etmeyiniz.** Eksik kurulum, ünitenin düşmesi veya su sızıntısı nedeniyle yangın, elektrik şoku veya yaralanmaya neden olabilir. Klimayı satın aldığınız bayiye veya yetkili bir tesisatçıya başvurunuz.
- Tesis etme işlemini yaparken tesis etme kılavuzuna başvurunuz.** Eksik kurulum, ünitenin düşmesi veya su sızıntısı nedeniyle yangın, elektrik şoku veya yaralanmaya neden olabilir.
- Üniteyi monte ederken, güvenlik için uygun koruyucu ekipman ve aletleri kullanın.** Bunun yapılmaması yaralanmaya sebebiyet verebilir.
- Üniteyi, ünitenin ağırlığını taşıyabilecek sağlam yapıya yerleştirin.** Ünitenin tesis edileceği yer ünitenin ağırlığını taşıyamıyorsa, ünite düşebilir ve yaralanmaya neden olabilir.
- Elektrikle ilgili çalışmaların montaj kılavuzuna göre kalifiye ve deneyimli bir elektrikçi tarafından yapılması gerekir. Özel bir devre kullandığınızdan emin olun. Devreye başka elektrikli cihaz bağlamayınız.** Devrenin kapasitesi yetmiyorsa veya elektrikle ilgili çalışmalarda bir hata varsa bu yangına veya elektrik çarpmasına sebep olabilir.
- Üniteyi doğru biçimde topraklayın.** Topraklama kablosunu doğal gaz borusuna, su borusuna, paratonere veya yeraltı telefon hattına bağlamayınız. Hatalı topraklama elektrik çarpmasına sebep olabilir.
- Parçalar veya vidalarla aşırı basınç uygulayarak kabloları zarar vermeyin.** Hasarlı kablolar yangın ya da elektrik çarpmasına neden olabilir.
- Eğer iç ünite P.C. panosu ya da kablo şebekesi kuruyorsanız, elektriği ana şalterden kapatınız.** Aksi halde elektrik çarpar.
- İç ve dış ünite kablo bağlantılarını güvenli şekilde yapmak için belirtilen kablo tiplerini kullanın ve kablo uçlarını olabilecek durumlarda yuvalarından çıkmamaları için terminal yatağındaki yerlerine sıkıca bağlayınız. Kabloları uzatmayın veya ara bağlantı kullanmayın.** Hatalı bağlantılar ve sabitleme yangına sebep olabilir.
- Üniteyi yanıcı gaz sızıntısı olabilecek yerlere tesis etmeyiniz.** Sızan gazların klima etrafında toplanması sonucunda bir patlama meydana gelebilir.
- Güç kablosunu orta yerinden kesip uzatma yapmayın veya uzatma kablosu kullanmayınız ya da aynı AC çıkışında birden fazla cihaz kullanmayınız.** Hatalı bağlantı ve hatalı izolasyon sonucu voltajın düşmesi veya artması ile yangın veya elektrik çarpması meydana gelebilir.
- Klimanın tesisi sırasında verilen veya belirtilen parçaları kullandığınızdan emin olunuz.** Yanlış parça kullanma sonucunda su sızıntısı, yangın, elektrik çarpması, ünitenin düşmesi sonucu yaralanma gibi sonuçlar doğabilir.
- Güç kaynağını prize takarken fiş ve prizde toz, tıkanma ya da gevşek parça olmasına dikkat ediniz. Güç kaynağı fişinin prize iyice girdiğinden emin olunuz.** Güç kaynağı fişinde ya da prizde toz, tıkanma ya da gevşek parça olması durumunda elektrik çarpar ya da yangın çıkabilir. Güç kaynağı fişinde gevşek parça varsa, fişi değiştirin.
- İç ünitenin elektrik devre kapağını takınız ve dış ünitenin servis kapağını sıkıca kapatınız.** İç ünitenin elektrik devre kapağının veya dış ünitenin servis kapağının sıkıca kapatılmadığı durumlarda toz ve su gibi maddeler sebebi ile yangın veya elektrik çarpmaları meydana gelebilir.
- Üniteyi kurarken, konumunu değiştirirken ya da bakımını yaparken soğutucu devresine belirtilen soğutucudan (R410A) başka bir madde girmemesine dikkat ediniz.** Hava gibi yabancı maddelerin bulunması, normal olmayan basınç artışına neden olabilir ve patlama ya da yaralanmaya neden olabilir. Sistemde belirtilen haricinde soğutma sıvılarının kullanılması mekanik arızaya, sistem arızasına ya da ünitenin bozulmasına neden olacaktır. En kötü ise, bu durum ürün güvenliğinin sağlanmasına ciddi şekilde zarar verecektir.
- Soğutucuyu atmosfere boşaltmayın. Tesis etme işlemi sırasında soğutucu gaz sızıntı yaparsa, odayı havalandırın.** Soğutucu gaz ateşle temas ederse zararlı gazlar çıkabilir. Soğutucu sızıntısı boğulma tehlikesine yol açabilir. EN378-1'e göre havalandırma sağlayın.
- Tesis etme işlemi bittikten sonra soğutucu gaz sızıntısı olup olmadığını kontrol ediniz.** Eğer soğutucu gaz iç mekana sızarsa ve fanlı bir ısıtıcının, elektrikli bir ısıtıcının, bir sobanın, vb. ateşi ile temas ederse zararlı gazlar oluşur.
- Tesis etme işleminde uygun aletler ve boruları kullanınız.** R410A'nin basıncı R22'ye göre 1,6 kez daha fazladır. Uygun aletleri ya da malzemeleri kullanıyorsanız ve tesis etme işlemi tamamlanmamışsa borular patlayabilir ya da yaralanma meydana gelebilir.
- Soğutucu gazı pompalarken, soğutucu borularını sökmeden önce kompresörü durdurun.** Soğutucu gaz boruları kompresör çalışırken ve kesme vanası açikken sökülürse, hava içeriye girebilir ve soğutma döngüsü içindeki hava anormal derecede yükselebilir. Bu boruların patlamasına ya da yaralanmalara neden olabilir.
- Üniteyi tesis ederken, soğutucu borularını kompresörü çalıştırmadan önce sağlam şekilde bağlayınız.** Kompresör soğutucu gaz boruları bağlanmadan önce ve kesme vanası açikken çalıştırılırsa, hava içeriye girebilir ve soğutma döngüsü içindeki hava anormal derecede yükselebilir. Bu boruların patlamasına ya da yaralanmalara neden olabilir.
- Bu el kitabında belirtildiği gibi rondelalı somunu tork anahtarları ile sıkıştırın.** Aşırı sıkıştırılırsa rondelalı somun uzun bir süre sonra kırılabilir ve soğutma sıvısı kaçacağına yol açabilir.
- Cihazın takılması ulusal elektrik tesisatı yönetmeliklerine uygun olarak yapılmalıdır.**

⚠ DİKKAT

(Cihaz doğru çalıştırılmadığında ciddi yaralanmalara sebep olacak uyarıları gösterir.)

- Tesis edilen yere uygun bir topraklama devre kesicisi takınız.** Toprak kaçacağına karşı devre kesici takılmaması halinde elektrik çarpması meydana gelebilir.
- Pis su ve diğer boru tesisi işini kılavuza göre emniyetli bir şekilde yapınız.** Pis su ve diğer boru tesisi işlemlerinde bir hata yapılması üniteden su damlaması sonucu etrafa bulunan eşyaların zarar görmesine sebep olur.
- Dış ünitenin hava girişine ya da alüminyum kanatçıklarına dokunmayınız.** Aksi halde yaralanabilirsiniz.
- Dış üniteyi küçük hayvanların yaşadığı yerlere monte etmeyiniz.** Ünitenin içindeki elektrikli parçalara küçük hayvanlar girerse ve dokunursa, anıza oluşabilir, duman yayılabilir ya da yangın çıkabilir. Ayrıca, kullanıcıya ünitenin etrafını temiz tutmalarını belirtiniz.

1-2. TESİS EDİLECEK BÖLGENİN SEÇİMİ

İÇ ÜNİTE

- Hava akımını engellemeyen yerler.
- Havanın tüm odaya yayılmasını sağlayan yerler.
- Duvar, titreşime karşı dayanıklı olmalıdır.
- Güneş ışığını direkt olarak almayan yerler. Kullanmadan önce, ambalajından çıkardıktan sonraki süre de dahil olmak kaydıyla, direk güneş ışığına maruz bırakmayınız.
- Pis su çıkışının sorun olmayacağı yerler.
- Tv ve radyonuzdan 1 m veya daha fazla uzaklıkta. Klimanın çalışması radyo veya TV'nin alışı kalitesini engelleyebilir. Etkilenen cihaza yükseltici takılması gerekebilir.
- Uzaktan kumandayı floresan ve benzeri gibi parlak ışıklı lambalardan olabildiğince uzağa yerleştirin (böylece uzaktan kumanda sinyalleri klima tarafından normal olarak alınır).
- Hava filtresinin kolayca çıkarılabilip değiştirilebileceği yerler.

UZAKTAN KUMANDA

- Çalışmaya elverişli ve görülebilen yerler.
- Çocukların dokunmayacağı yerler.
- İç ünitenin uzaktan kumandanadan düzgün şekilde sinyal alabileceği bir yeri seçin. Bu konumdan, uzaktan kumandanın yolladığı sinyallerin iç ünite tarafından güvenli bir şekilde alındığını kontrol edin (sinyal alım sesi olan "bip" ya da "bip bip" sesi duyulur). Daha sonra uzaktan kumanda yuvasını sütuna veya duvara monte edin ve kablolu uzaktan kumandayı yuvasına yerleştirin.

Not:

Floresan lamba kullanılan odalarda kumandanın sinyalleri alınmayabilir.

DIŞ ÜNİTE

- Şiddetli rüzgarlara açık olmayan yerler.
- Tozdan arınmış temiz hava alan yerler.
- Yağmur gelebilecek veya doğrudan güneş ışığına bakan yerlerden mümkün olduğunca kaçınılmalıdır.
- Dış ünite çalışırken çıkacak olan ses ve ısıdan çevrenin rahatsız olmayacağı yerler.
- Çalışma sesi ve titreşiminin artmasını engelleyecek güçlü duvar ve desteklerin mevcut bulunduğu yerler.
- Yanıcı gaz sızıntısı riski olmayan yerler.
- Üniteyi yüksek yerlere tesis ederken ayakların sabitlenip sabitlenmediğini kontrol edin.
- TV cihazı veya radyo anteninden en az 3 m uzaklıkta bulunacağı bir yer. Sinyal akış kalitesinin zayıf olduğu bölgelerde klimanın çalışması radyo veya TV'nin çalışmasını etkileyebilir. Etkilenen cihaza yükseltici takılması gerekebilir.
- Üniteyi yatay olarak monte edin.
- Lüften kar yağışı ve kar fırtınasından etkilenmeyen bölgelere kurun. Yoğun kar yağışı olan yerlerde, lüften tente, kaide ve/veya bazı kontrol kartları yerleştirin.

Not:

Aktarılan titreşimi azaltılmak üzere dış mekan biriminin yanındaki borunun halka yapacak şekilde döşenmesi tavsiye edilir.

Not:

Dışarıda hava sıcaklığı düşükken klimayı çalıştırmayınız. aşağıda açıklanan talimatlara uydunuzdan emin olun.

- Dış üniteyi kesinlikle hava giriş/çıkışı tarafının doğrudan rüzgar alabileceği bir yere kurmayın.
- Rüzgar almasını önlemek için dış üniteyi, hava giriş tarafı duvara gelecek şekilde kurun.
- Rüzgar almasını önlemek için dış ünitenin hava çıkışı tarafına bir hava levhası takmanız önerilir.
- Klimayı, klimaya ilişkin arızaların ortaya çıkmasını önleyici olduğu aşağıdaki yerlere tesis etmekten kaçınınız.
- Yanıcı gaz sızıntısı olabilecek yerler.
- Makine yağlarının çok bulunduğu yerler.
- Yağın sıçradığı veya alanın yağlı duman ile dolu olduğu yerler (pişirme alanları ve fabrikalar, plastiğin özelliklerinin değiştirilebileceği veya zarar görebileceği yerler).
- Deniz kıyısı gibi tuzlu yerler.
- Kaplıcalar gibi süfit gazlarının yoğun olduğu yerler.
- Yüksek frekanslı veya telsiz cihazlarının bulunduğu yerler.
- Kimyasal çatlama neden olan fltal bileşikleri, formaldehit, vs. dahil olmak üzere yüksek seviyelerde VOC emisyonu olan yerler.

1-3. SPESİFİKASYONLAR

Model		Güç kaynağı *1			Kablo spesifikasyonları *2		Boru boyutu (kalınlık *3, *4)
İç ünite	Dış ünite	Tahmini Voltaj	Frekans	Kesici kapasitesi	Güç kaynağı (3 merkezli)	İç ünite/dış ünite bağlantı kablosu	Gaz / Sıvı
MFZ-KJ25VE MFZ-KJ35VE	MUFZ-KJ25VE(HZ) MUFZ-KJ35VE	230 V	50 Hz	10 A	1,0 mm ²	4 merkezli 2,0 mm ²	ø9,52 / 6,35 mm (0,8 mm)
MFZ-KJ35VE	MUFZ-KJ35VE(HZ)			12 A	1,5 mm ²		
MFZ-KJ50VE	MUFZ-KJ50VE(HZ)			16 A	2,0 mm ²		

(KJ25, 35/KJ50)

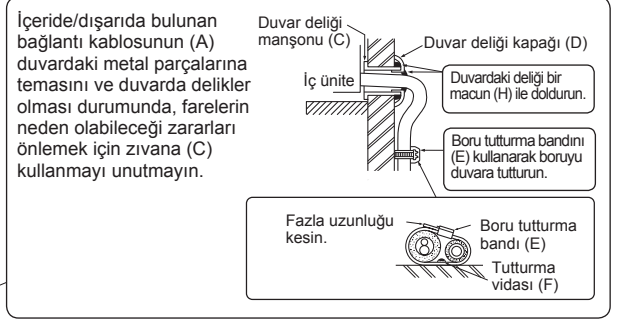
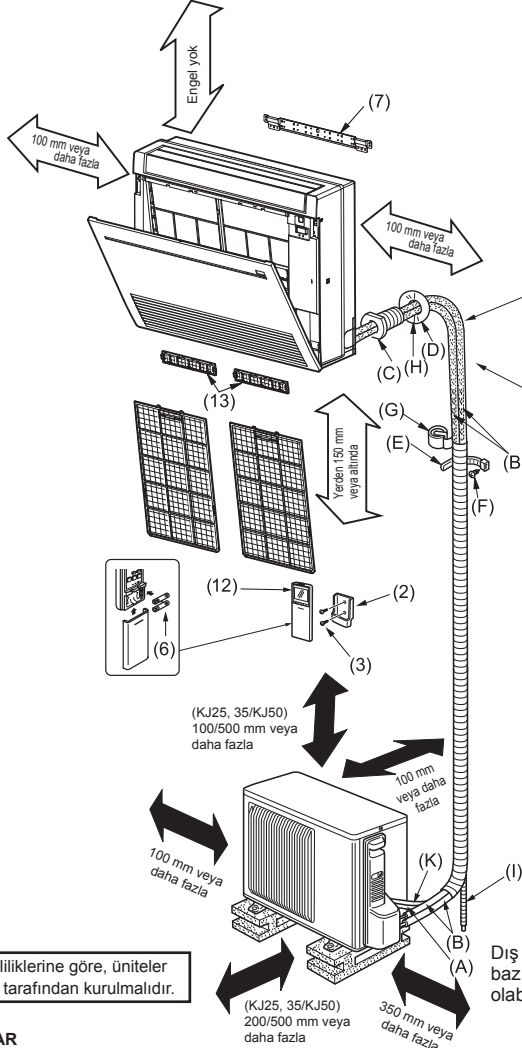
Borunun uzunluk ve yükseklik farkı	
Maks. boru uzunluğu	20/30 m
Maks. yükseklik farkı	12/15 m
Maks. eğim sayısı *5, *6	10
Soğutucu ayarı A *7	30/20 g/m
İzolasyon kalınlığı *8, *9	8 mm

*1 Güç kaynağı fazını kesmek için açıldığında en az 3 mm aralığı olan bir elektrik şalterine bağlayın. (Elektrik şalteri kapatıldığı zaman tüm fazları kesmelidir.)
*2 60245 IEC 57 tasarımı ile uyumlu kablolar kullanın.
*3 Belirtilen değerden daha düşük kalınlıkta boru kullanmayın. Basınç direnci yetersiz kalır.
*4 Bakır ya da bakır alaşımı eksiz bir boru kullanınız.

*5 Boruları bükerken boruyu ezmemeye veya eğmemeye dikkat ediniz.
*6 Soğutma borusu eğilme yarıçapı 100 mm veya daha fazla olmalıdır.
*7 Boru uzunluğu 7 metreyi geçtiğinde, ek soğutma maddesine (R410A) ihtiyaç vardır. (7m'den kısa boru uzunluğu için ilave ücret alınmaz.)
Ek soğutucu = A × (boru uzunluğu (m) - 7)

*8 İzolasyon malzemesi: Isıya dayanıklı köpüklü plastik. 0,045 özgül ağırlık
*9 İzolasyonu belirtilen kalınlıkta yapmaya dikkat edin. Aşırı kalın izolasyon iç ünitenin yanlış montajına, kalınlığın az olması ise çığlınmaya sebep olabilir.

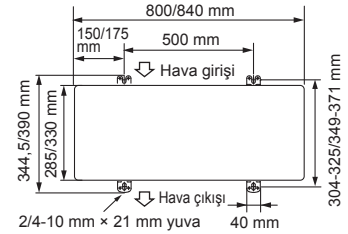
1-4. MONTAJ DİYAGRAMI



Sızıntı testinden sonra, hiç boşluk olmayacak şekilde yalıtım malzemesini sıkıca uygulayın.

Boru tesisatı, demir gibi (sac levhalar) metal ağırlar içeren duvarlara yapılırken boru ile duvar arasında 20 mm kalınlığında kimyasal olarak arınmış ağır parçalardan bir hat yapılmalı veya boru izole tipi bir bent ile 7 ila 8 kez sarılmalıdır.
Mevcut boruyu kullanmak için, 30 dakika süreyle COOL (SOĞUTMA) fonksiyonunu çalıştırın ve eski klimayı çıkarmadan önce havasını boşaltın. Yeni soğutucunun boyutuna göre işlemi yeniden yapın.

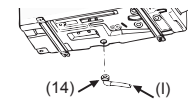
Dış ünite montajı (KJ25, 35/KJ50)



Dış ünite için pis su borusu

<Yalnızca VE tipi>

- Pis su borusunu iç ve dış boru bağlantılarından önce takın.
- Pis su hortumunu (I) İç Çap 15 mm, şekilde gösterildiği gibi bağlayın.
- Pis suyun kolay akması için, pis su borusunu aşağı yönde eğim vererek taktığınızdan emin olun.



Not:

Üniteyi yatay olarak monte edin. Soğuk bölgelerde pis su yuvası (14) kullanmayın. Drenaj donabilir ve fanı durdurabilir. Dış ünite, ısıtma uygulaması sırasında kondensat sıvısı üretir. Kurulum yerini dış ünitenin ve/veya yerlerin atık suyla ıslanmasını veya donmuş atık sudan zarar görmesini önleyecek şekilde belirleyin.

Yerel kod gerekliliklerine göre, üniteler lisanslı yapımcı tarafından kurulmalıdır.

AKSESUARLAR

Montajdan önce aşağıdaki parçaların bulunup bulunmadığını kontrol edin.

(1) Pis su hortumu*	1
(2) Uzaktan kumanda yuvası	1
(3) (2) için tespit vidası 3,5 × 16 mm (Siyah)	2
(4) Boru kaplayıcısı	1
(5) Bant	2
(6) Uzaktan (AAA) için (12)	2
(7) İç ünite montaj braketi	1
(8) (7) 4 × 25 mm'lik tespit vidası	5
(9) İç ünitenin sabitlenmesi için ağaç vida	4
(10) (9)'ün rondelası	4
(11) Keçe bant (sola veya sol arkaya boru döşemek için)	1
(12) Kablosuz uzaktan kumanda	1
(13) Hava temizleme filtresi	2

*Not:

Pis su hortumu üniteye bağlandı.
<Dış ünite>

(14) Pis su yuvası (yalnızca VE tipi)	1
---------------------------------------	---

YERİNİZE SAĞLANACAK PARÇALAR

(A) İç/dış ünite bağlantı kablosu*	1
(B) Uzatma borusu	1
(C) Duvar deliği manşonu	1
(D) Duvar deliği kapağı	1
(E) Boru tesbit bandı	2 - 5
(F) (E) 4 × 20 mm için tesbit vidası	2 - 5
(G) Boru bandı	1
(H) Macun	1
(I) Pis su hortumu (veya yumuşak PVC hortum, 15 mm iç çap veya sert PVC boru VP16)	1 veya 2
(J) Soğutma yağı	1
(K) Güç kaynağı kablosu*	1

*Not:

İç/dış ünite bağlantı kablosu (A) ve güç kaynağı kablosu (K), TV anten kablosundan en az 1 m uzakta olmalıdır.

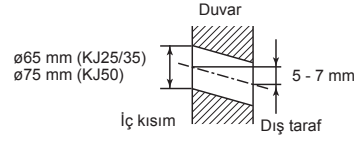
2. İÇ ÜNİTENİN TESİSİ

2-1. İÇ ÜNİTE MONTAJ BRAKETİNİN SABİTLENMESİ

- Duvarda yapısal bir malzeme (saplama gibi) bulun ve braketini (7) yatay olarak tespit vidalarıyla (8) sabitleyin.
- Braketin (7) titreşimini önlemek için tespit vidalarını şekilde belirtilen deliklere taktığınızdan emin olun. İlave destek için, tespit vidaları aynı zamanda diğer deliklere de takılabilir.

2-2. DUVARA DELİK AÇMA

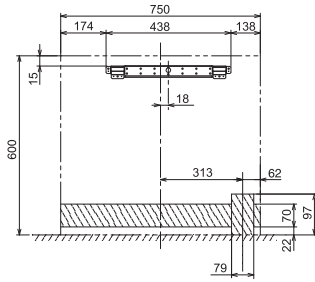
- 1) Duvar delik konumunu belirleyin.
- 2) Bir diyagram oluşturun. 65 mm delik. (KJ50 için çap 75 mm) Dış taraf, iç tarafın 5 ila 7 mm aşağısında olmalıdır.
- 3) Duvar deliği manşonunu (C) takın.



DELİK KONUMLARI

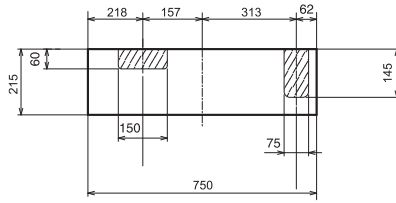
ARKAYA VEYA SOL ARKAYA BORU YERLEŞTİRME

(Aşağıdaki şekilde iç ünite montaj konumunun önden görünüşü bulunmaktadır.)

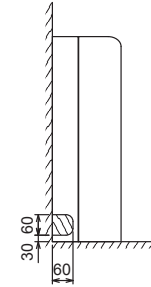


SAĞ AŞAĞIYA VEYA SOL AŞAĞIYA BORU YERLEŞTİRME

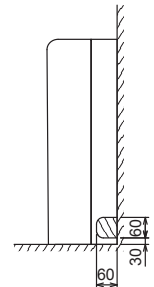
(Aşağıdaki şekilde iç ünitenin yukarıdan alt kısmının görünüşü bulunmaktadır.)



SOLA BORU YERLEŞTİRME



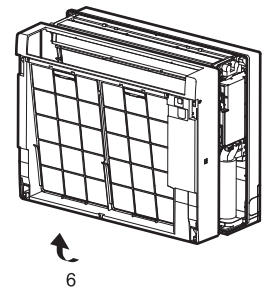
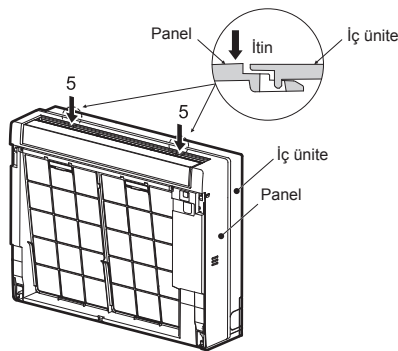
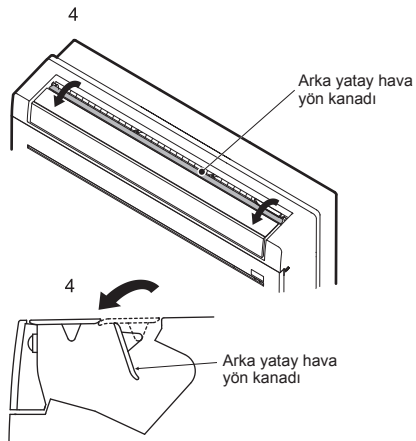
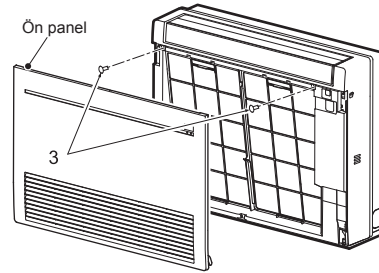
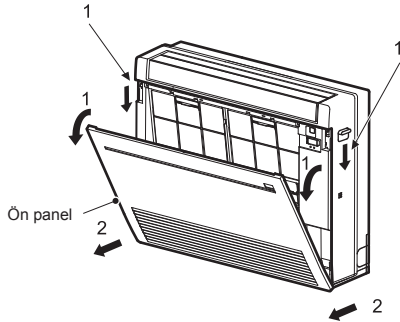
SAĞA BORU YERLEŞTİRME



2-3. İÇ ÜNİTENİN HAZIRLANMASI

İç ünitenin ön panelini çıkarın.

- 1) Ön paneli açmak için ünitenin her iki tarafında bulunan tırmakları aşağı bastırın.
- 2) Ön paneli çıkarmak için paneli kendinize doğru çekin.
- 3) 2 vidayı çıkartın.
- 4) Arka yatay kanatçıyı açın.
- 5) Panelin üstündeki 2 konumu itin ve ardından panelin üst kısmını kendinize doğru çekin.
- 6) Yukarı kaldırırken paneli çıkarın (hafifçe).



SOLA VEYA SOL ARKAYA BORU YERLEŐTİRME

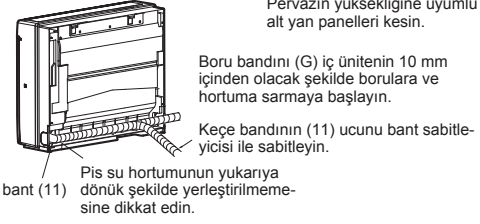
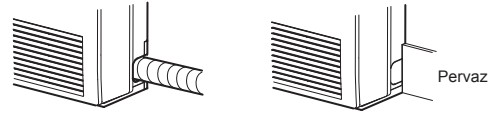
Baęlantı borularını ve pis su hortumunu bir araya toplayın ve kee bantla (11) sarın.

İ ünitenin sol ve saę taraflarındaki alt yan panelleri aŐaęıda gsterildięi gibi kesin ve kullanın.

Yan panellerin kesilen kenarlarının keskinlięini izolasyon kaplamasına zarar vermeyecek Őekilde giderin.

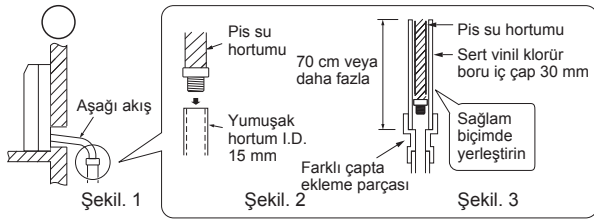
- Sola veya saęa boru yerleŐtirme
- Pervazlı duvara monte etme

Kee bandını (11) borular ve hortumun i üniteden ıktıęı yerin yanından baŐlayarak sıkıca boruların ve hortumun etrafına sarın. (Kee bandın (11) ũst ũste binme geniŐlięi bantınin 1/2'sinden daha fazla olmamalıdır.)

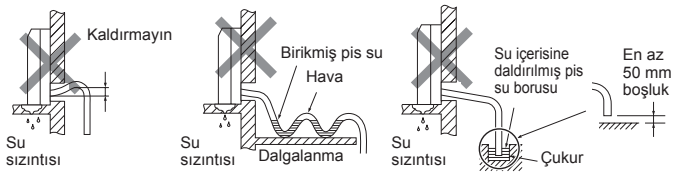


2-7. TAHLİYE BORUSU

- Uzatma pis su hortumu bir odadan geecekse, hortumu piyasada satılan bir izolasyon malzemesiyle sarın.
- Rahat pis su akıŐı iin pis su borusu aŐaęı doęru tesis edilmelidir. (Őekil. 1)
- İ üniteyle birlikte verilen pis su hortumu ok kısaysa, ũniteyi saęlanacak bir pis su hortumu (I) ile baęlayın. (Őekil. 2)
- Pis su hortumunu sert vinil klorr boruya baęlarken, hortumu sıkıca boruya taktięinizden emin olun. (Őekil. 3)

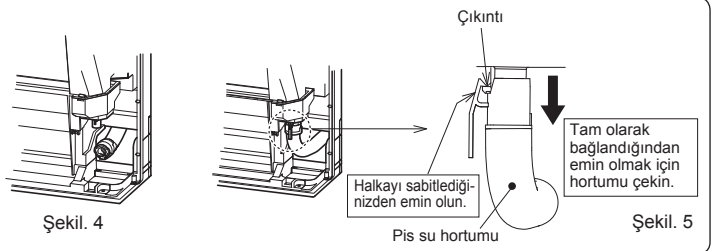


Pis su borulamasını aŐaęıda gsterildięi Őekilde yapmayın.



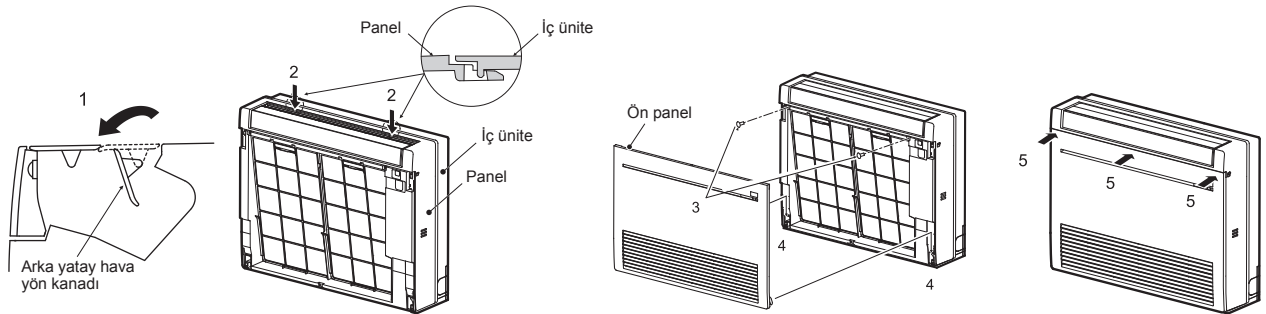
Pis su hortumu kurulum sırasında sklr.

- Tahliye hortumunu yerleŐtirirken, pis su hortumunun (1) gsterildięi gibi konumlandırıęınızdan emin olun. (Őekil. 4)
 - Pis su hortumunu boŐaltma tavasının tabanına takın (baęlantı sonuna). (Őekil. 5)
- Pis su hortumunun boŐaltma tavasının hortum baęlantısındaki ıkıntıya tam olarak takılıp takılmadıęını kontrol edin.
- Pis su hortumunu baęladıktan sonra, tam olarak baęlandıęından emin olmak iin hortumu ekin.



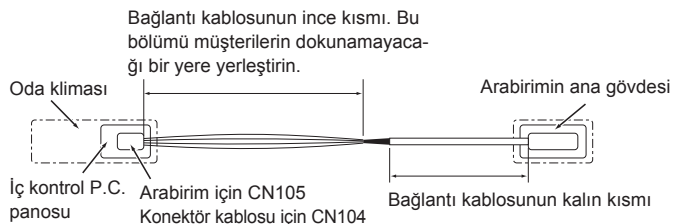
2-8. N PANELİN MONTE EDİLMESİ

- 1) Arka yatay kanatıęı aın.
- 2) Paneli takın. Mandalların takıldıęından emin olun.
- 3) Paneli vidalarla sabitleyin.
- 4) n panelin alt kısmını takın.
- 5) Kapatmak iin n panelin ũstndeki 3 yeri itin.



2-9. BİR ARABİRİM (opsiyon)/KONEKTÖR KABLOSUNU (opsiyon) KLİMAYA BAęLAYIN

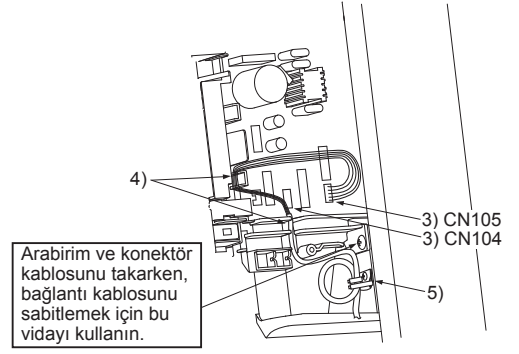
- Bir baęlantı kablosu ile, klimanın i mekan kontrol P.C. panosuna arabirim/konektör kablosunu baęlayın.
- Arabirim/konektör kablosunun kesilmesi ya da uzatılması baęlantıda arızalara neden olur. Baęlantı kablosunu g kaynaęı kordonu, i/dıŐ baęlantı kablosu ve/veya toprak kablosuyla birlikte sarmayın. Baęlantı kablosu ve bu kablolar arasındaki aralıęı olabildięince fazla tutun.
- Baęlantı kablosunun ince kısmı mŐterilerin dokunamayacaęı bir yere yerleŐtirilerek gizlenmelidir.



- 1) Paneli çıkarın.
- 2) İç kontrol P.C. panosunun kapağını açın.
- 3) İç mekan kontrolü P.C. panosundaki CN105 ve/veya CN104'e bağlantı kablosunu takın.
- 4) Bağlantı kablosunu şekilde gösterilen noktadan yönlendirin.
- 5) Arabirim/konektör kablosu ile birlikte gelen kablo kelepçesini şekilde gösterildiği gibi bir 4x16 vida ile bağlantı kablosunun kalın kısmına takın.
- 6) İç kontrol P.C. panosunun kapağını kapatın. Bağlantı kablosunun ince kısmının kapağa sıkışmamasına dikkat edin. Paneli yerine takın.

⚠ UYARI

Bağlantı kablosunu önceden belirtilen konuma sıkıca sabitleyin. Yanlış kurulum elektrik çarpmasına, yangına ve/veya arızalara neden olabilir.

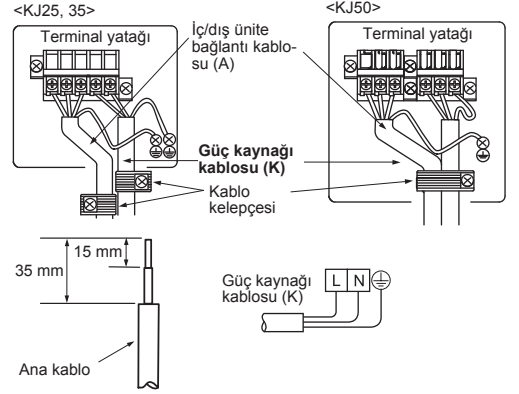


3. DIŞ ÜNİTENİN TESİSİ

3-1. KABLOLARI DIŞ ÜNİTEYE BAĞLAMA

- 1) Servis panelini açın.
- 2) Terminal vidasını gevşetin ve iç üniteden gelen iç/dış ünite bağlantı kablosunu (A) terminal yatağına doğru biçimde ayarlayın. Yanlış bağlantı yapmayın. İç kısmı hiç görünmeyecek ve terminal bloğunun bağlanma kesitine hiçbir dış kuvvet aktarılmayacak şekilde kabloyu terminal bloğuna sabitleyin.
- 3) Terminal vidalarını gevşemeyecek şekilde iyice sıkıştırın. Sıkıştırdıktan sonra son bir kez kabloları hafifçe çekip kontrol edin.
- 4) Güç kaynağı kablosunu (K) bağlayın.
- 5) İç/dış ünite bağlantı kablosunu (A) ve güç kaynağı kablosunu (K) kablo kelepçesiyle sabitleyin.
- 6) Bakım panelini sıkıca kapatın.

- Topraklı kabloyu diğerlerinden daha uzun tutun. (100 mm'den fazla)
- İleride yapılacak bakım işleri için kabloları uzun tutun.
- Kordonu ve/veya kabloyu terminal bloğuna sabitlerken her vidayı karşısındaki terminale taktığınızdan emin olun.



3-2. DIŞ AÇMA İŞİ

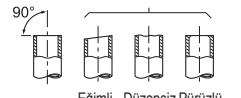
- 1) Bakır boruyu boru keskiyle doğru şekilde kesin. (Şekil. 1, 2)
- 2) Boru kesitindeki pürüzleri tamamen giderin. (Şekil. 3)
 - Pürüzleri giderme işlemi sırasında boruyu tutun ki kırıntılar borunun içerisine düşmesin.
- 3) İç ve dış üniteye takılı olan somunları sökün ve daha sonra bu somunları pürüzlerden tamamen arınmış boruya takın. (Dış açıktan sonra takmak mümkün değildir.)
- 4) Dış açma işi (Şekil. 4, 5). Tabloda gösterilen boyuttaki boruyu sıkıca tutun. Kullandığınız alete göre tablodan A mm seçin.
- 5) Kontrol
 - Dış açma işini Şekil. 6 ile karşılaştırın.
 - Eğer hata yaptıysanız hatalı kısmı keserek işlemi yeniden yapın.

Bakır boru



Şekil. 1

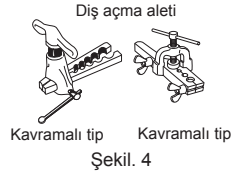
İyi 90°



Şekil. 2

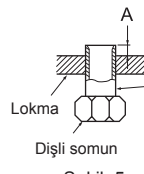


Şekil. 3

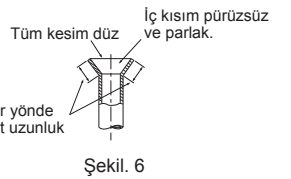


Şekil. 4

Boru çapı (mm)	Somun (mm)	A (mm)			Sıkma torku	
		R410A için kavrama tipi alet	R22 için kavrama tipi alet	R22 için kelebek somun tipi alet	N•m	kgf•cm
ø 6,35 (1/4")	17	0 - 0,5	1,0 - 1,5	1,5 - 2,0	13,7 - 17,7	140 - 180
ø 9,52 (3/8")	22				34,3 - 41,2	350 - 420
ø 12,7 (1/2")	26			2,0 - 2,5	49,0 - 56,4	500 - 575
ø 15,88 (5/8")	29				73,5 - 78,4	750 - 800



Şekil. 5



Şekil. 6

3-3. BORU BAĞLAMA

- Tabloda belirtildiği gibi rondelalı somunu tork anahtarı ile sıkıştırın.
- Aşırı sıkıştırıldığında rondelalı somun uzun bir süre sonra kırılabilir ve soğutma sıvısı kaçağına yol açabilir.
- Boruların etrafına izolasyon malzemesi kaplamayı unutmayın. Çıplak boruya doğrudan temas etmek yanmaya ve soğuk ısırmasına neden olabilir.

İç ünite bağlantısı

İç ünite sıvı ve gaz borularının ikisini de bağlayın.

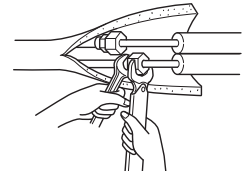
- Boruların dış açılmış uçlarına ince bir katman soğutma yağı (J) uygulayın. Vida dişlerine soğutma yağı uygulamayın. Aşırı sıkma torku uygulamanız, vidalarda hasar meydana gelmesine neden olur.
- Bağlantı sırasında ilk önce merkezleri hizalayın ve sonra da somunu 3 veya 4 kez sıkıştırın.
- İç ünite kısmındaki bağlantı geçişlerinde kılavuz olarak yukarıdaki tabloyu kullanın ve sıkıştırma işlemini iki somun anahtarını kullanarak gerçekleştirin. Fazla sıkıştırma ile boru bölümüne zarar verebilirsiniz.

Dış ünite bağlantısı

- Boruları bağlamak için iç üniteye uyguladıklarınızı, dış ünite kesme vanasının boru bağlantısına da uygulayın.
- Sıkıştırmalarda somun veya İngiliz anahtarı kullanın ve somunları iç üniteye sıkıştırdığınız kadar sıkıştırın.

3-4. ISI YALITIMI VE SARGILAMA

- 1) Boru bağlantılarını boru kaplayıcısı ile kaplayın.
- 2) Vanalar da dahil olmak üzere dış sistemdeki boruları izole edin.
- 3) Boru bandı (G) kullanarak, dış ünitenin girişinden başlayarak bandı sarın.
 - Boru bandının (G) uç kısmını bant kullanarak (yapışkanlı madde ile birlikte) yapıştırın.
 - Boru tesisatını ısı ve nemlilik oranının yüksek olduğu tavan, tuvalet vb. gibi yerlerden geçirirken yoğunlaşmayı önlemek için piyasadan sağlayabileceğiniz ek izole maddeleri kullanın.



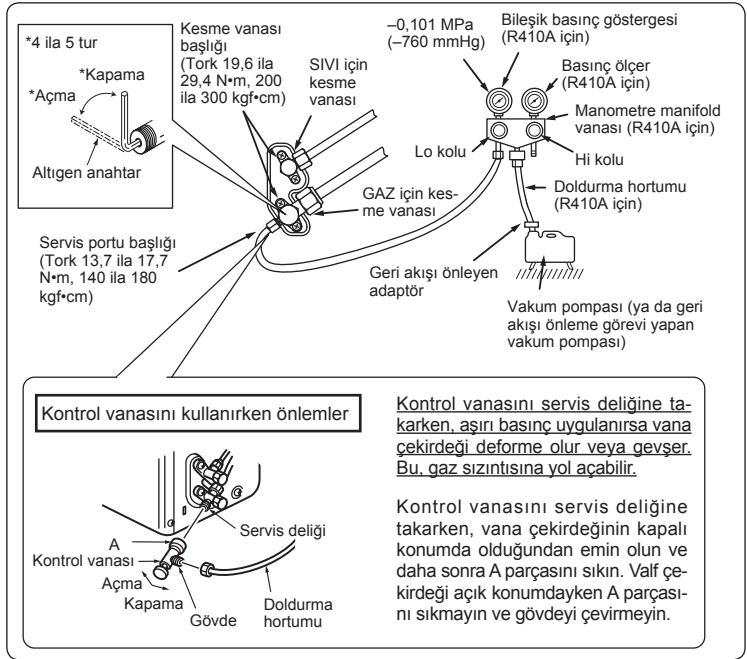
⚠ UYARI

Üniteyi tesis ederken, soğutucu borularını kompresörü çalıştırmadan önce sağlam şekilde bağlayınız.

4. TEMİZLEME PROSEDÜRLERİ, SIZINTI TESTİ VE TEST ÇALIŞTIRMASI

4-1. TEMİZLEME PROSEDÜRLERİ VE SIZINTI TESTİ

- 1) Dış ünite gaz borusu üzerinde bulunan kesme vanasının kapağını çıkartın. (Kesme vanaları başlangıç durumunda tamamen kapalı ve başlıklarla örtülüdür.)
- 2) Manifold vanasını ve vakum pompasını dış ünite gaz borusu kısmının bağlı olduğu servis deliğine bağlayın.
- 3) Vakum pompasını çalıştırın. (15 dakika boyunca vakumize edin.)
- 4) Manifold vanası ile vakumu kontrol edip manifold vanasını kapatın ve vakum pompasını durdurun.
- 5) Bir veya iki dakika bu durumda bırakın. Manifold vana göstergesini aynı yerde olduğundan emin olun. Basınç değeri $-0,101$ MPa [Manometre] (-760 mmHg) olmalıdır.
- 6) Kesme vanası bakım yerinden manometre manifold vanasını hızla çıkartın.
- 7) Soğutma borularını bağlanıp boşaltma işlemi yapıldıktan sonra gaz ve sıvı borularının her iki yanındaki kesme vanalarını tam olarak açın. Vanalar tam olarak açık durumda çalıştırılmadıkları zaman performans düşüklüğü ve arızaya sebep olurlar.
- 8) 1-3.'e başvurun ve gerekirse belirtilen miktarda soğutma maddesini doldurun. Soğutma sıvısını yavaşça doldurduğunuzdan emin olun. Aksi takdirde, sistemdeki soğutma sıvısı bileşimi değişebilir ve klimanın performansını etkileyebilir.
- 9) Başlangıçtaki duruma dönmek üzere şapkaçıkları sıkıştırın.
- 10) Sızıntı testi



4-2. TEST ÇALIŞTIRMASI

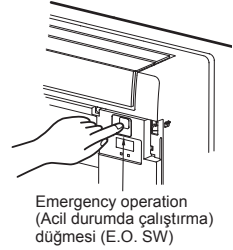
Aşağıdaki işlemleri yaptığınızdan emin olun.

- Panel doğru şekilde monte edilmelidir.
 - İç ve dış üniteler doğru şekilde monte edilmeli ve elektrik bağlantısı doğru yapılmalıdır.
- 1) COOL (soğutma) işlemi için bir, HEAT (ısıtma) işlemi için iki kez E.O. SW tuşuna basın. Test çalıştırması 30 dakika boyunca gerçekleştirilecektir. Göstergenin sol tarafındaki ışık 0,5 saniyede bir yanıp sönyorsa, iç ve dış ünite bağlantı kablosunun (A) doğru bağlanıp bağlanmadığını kontrol edin. Test çalıştırmadan sonra, acil durum modu (sıcaklık 24°C 'ye ayarlanır) başlatılır.
 - 2) Çalıştırmayı durdurmak için, tüm LED ışıkları sönmeye kadar birkaç kez E.O. SW'ye basın. Ayrıntılar için çalıştırma talimatlarına bakın.

Uzaktan kumanda (kızılötesi) sinyal alımı testi

Kumanda (12) üzerindeki ON/OFF düğmesine bastığınızda iç üniteden elektronik bir ses duyulur. Klimayı durdurmak için ON/OFF düğmesine basınız.

- Kompresör durduğunda, yeniden başlamayı engelleme cihazı devreye girer ve kompresörün 3 dakika boyunca çalışmasını engelleyerek klimayı korur.



4-3. OTOMATİK YENİDEN BAŞLATMA FONKSİYONU

Bu ürün, otomatik yeniden başlatma fonksiyonuna sahiptir. Çalıştırma sırasında, karartmalarda olduğu gibi güç kaynağı kesildiğinde, güç kaynağı geri geldiğinde önceki ayarı ile fonksiyon çalıştırmayı otomatik olarak başlatır. (Ayrıntılar için çalıştırma talimatlarına bakın.)

Dikkat:

- Test çalıştırması veya uzaktan sinyal alma kontrolünden sonra, E.O. SW veya uzaktan kumanda ile, güç kaynağını kapatmadan önce üniteyi kapatın. Böyle yapmamak, güç kaynağı geldiğinde üniteyi otomatik olarak yeniden başlatacaktır.

Kullanıcıya

- Üniteyi monte ettikten sonra, kullanıcıya yeniden başlatma fonksiyonunu anlattığınızdan emin olun.
- Otomatik yeniden başlatma fonksiyonu gereksizse, etkisiz hale getirilebilir. Fonksiyonu etkisiz hale getirmek için servis temsilcisine danışın. Ayrıntılar için bakım kılavuzuna başvurun.

4-4. KULLANICIYA AÇIKLAMA

- ÇALIŞTIRMA TALİMATLARINI kullanarak, kullanıcıya klimayı nasıl kullanacağını açıklayın (kumanda nasıl kullanılır, hava filtreleri nasıl çıkarılır, kumanda, kumanda tutucudan nasıl çıkarılır veya kumanda tutucuya nasıl konur, nasıl temizlenir, çalıştırma önlemler, vb.)
- Kullanıcıya ÇALIŞTIRMA TALİMATLARINI dikkatlice okumasını önerin.

5. AŞAĞI POMPALAMA

Klimayı başka bir yere taşırken ya da atarken, atmosfere gaz salınmasını engellemek için gazı aşağıdaki prosedürü izleyerek boşaltın.

- 1) Manifold vanasını dış ünite gaz borusu kısmının bağlı olduğu servis deliğine bağlayın.
- 2) Dış ünitenin sıvı borusu kısmındaki kesme vanasını tamamen kapatın.
- 3) Dış ünitenin gaz borusu tarafındaki kesme vanasını, manometre 0 MPa [Manometre] (0 kgf/cm²) değerini gösterdiğinde kolayca tamamen kapatabilmek için tamamen kapalı konuma yakın bir konuma kadar kapatın).
- 4) Acil SOĞUTMA işlemini başlatın.
SOĞUTMA modunda acil durumda çalıştırmayı başlatmak için, güç kaynağı fişinin bağlantısını kesin ve/veya devre kesiciyi kapatın. 15 saniye sonra, güç kaynağı fişini geri takın ve/veya devre kesiciyi açın ve daha sonra E.O. SW düğmesine bir kez basın. (Acil durumda SOĞUTMA işlemi, 30 dakika süreyle kesintisiz olarak gerçekleştirilebilir.)
- 5) Dış ünitenin gaz borusu kısmındaki kesme vanası, $0,05$ ila 0 MPa [Manometre] (yaklaşık $0,5$ ila 0 kgf/cm² arası) arasında bir değer gösterdiğinde tamamen kapatın.
- 6) Acil SOĞUTMA işlemini durdurun.
İşlemi durdurmak için E.O. SW düğmesine iki defa basın.

⚠ UYARI

Soğutucu gazı pompalarken, soğutucu borularını sökmeye başlamadan önce kompresörü durdurun. Hava vb. maddelerin içine girmesi durumunda kompresör patlayabilir.

СОДЕРЖАНИЕ

1. ПРЕЖДЕ ЧЕМ ПРОИЗВОДИТЬ УСТАНОВКУ	1
2. УСТАНОВКА ВНУТРЕННЕГО ПРИБОРА	3
3. УСТАНОВКА НАРУЖНОГО ПРИБОРА	6
4. ПРОЦЕДУРЫ ПРОДУВКИ, ПРОВЕРКА НА ОТСУТСТВИЕ УТЕЧЕК И ТЕСТОВЫЙ ПРОГОН	7
5. ОТКАЧКА	7

Названия моделей
указаны в 1-3.

Инструменты, необходимые для установки

Крестообразная отвертка	Гаечный ключ
Уровень	Шестигранный гаечный ключ
Линейка	4 мм
Универсальный нож или ножницы	Конусный инструмент для R410A
Кольцевая пила класса 25, 35 – 65 мм / класса 50 – 75 мм	Коллектор с измерителем для R410A
Тарированный ключ	Вакуумный насос для R410A
	Заправочный шланг для R410A
	Трубрез с разверткой

1. ПРЕЖДЕ ЧЕМ ПРОИЗВОДИТЬ УСТАНОВКУ

1-1. В ЦЕЛЯХ ОБЕСПЕЧЕНИЯ БЕЗОПАСНОСТИ ВСЕГДА СОБЛЮДАЙТЕ СЛЕДУЮЩИЕ ПОЛОЖЕНИЯ

- Перед установкой кондиционера обязательно прочитайте раздел "В ЦЕЛЯХ ОБЕСПЕЧЕНИЯ БЕЗОПАСНОСТИ ВСЕГДА СОБЛЮДАЙТЕ СЛЕДУЮЩИЕ ПОЛОЖЕНИЯ".
- Обязательно соблюдайте меры предосторожности, изложенные ниже - в них содержатся важные с точки зрения безопасности положения.
- Прочитав данное руководство, храните его вместе с ИНСТРУКЦИЕЙ ПО ЭКСПЛУАТАЦИИ на случай возникновения вопросов.

⚠ ПРЕДУПРЕЖДЕНИЕ (Невыполнение данного требования может привести к смертельному исходу, тяжелой травме и т.д.)

- Самостоятельная установка данного прибора (пользователем) запрещается.
Не завершение установки может вызвать пожар, поражение электрическим током, травмы вследствие падения прибора или утечку воды. Обратитесь к дилеру, у которого вы приобрели данный прибор или к квалифицированному специалисту по установке.
- Выполняйте установку с соблюдением правил безопасности, используя "Руководство по установке" в качестве справочника.
Не завершение установки может вызвать пожар, поражение электрическим током, травмы вследствие падения прибора или утечку воды.
- При установке прибора используйте соответствующие защитное оборудование и инструменты в целях безопасности. Невыполнение этого требования может привести к травме.
- Надежно устанавливайте прибор на основе, которая может выдержать его вес.
Если основа не выдержит вес прибора, он может упасть и нанести увечья.
- Электротехнические работы должны производиться квалифицированным, опытным электриком согласно инструкциям по монтажу. Следует обязательно использовать отдельный контур. Не подключайте другие электрические приборы к этому же контуру.
При недостаточной мощности контура питания или в случае незавершенных электромонтажных работ возможен пожар или поражение электрическим током.
- Заземлите прибор надлежащим образом.
Запрещается подсоединять заземление к газовым и водопроводным трубам, молниезводу или проводу заземления телефонной сети. Дефект заземления может привести к поражению электрическим током.
- Не повредите провода при чрезмерном их сжатии компонентами или винтами.
Поврежденная проводка может привести к возгоранию или поражению электрическим током.
- Обязательно отсоедините прибор от источника электропитания при проведении настройки печатной платы электронного управления внутреннего прибора или при работе с электропроводкой.
Невыполнение данного требования может привести к поражению электрическим током.
- Используйте провода указанных параметров для надежного соединения внутреннего и наружного приборов. Надежно закрепите провода в секторах соединений клеммной колодки, чтобы натяжение провода не передавалось в секторы соединений. Запрещается удлинять провода или использовать промежуточное соединение.
Не завершение подключения и изоляции может привести к возгоранию.
- Не устанавливайте прибор в помещении, где возможна утечка легковозгораемого газа.
При утечке и скоплении газа в непосредственной близости от прибора, возможен взрыв.
- Не используйте промежуточные соединения в шнуре питания или удлинитель шнура питания, и не подсоединяйте несколько приборов к одной розетке переменного тока.
Это может привести к пожару или поражению электрическим током вследствие дефекта контакта, дефекта изоляции, превышения допустимого тока в сети и т.д.
- При выполнении работ по установке обязательно используйте детали, входящие в комплект поставки, или детали, характеристики которых приводятся в данном руководстве.
Использование дефектных деталей может привести к травме или утечке воды вследствие пожара, поражения электрическим током, падения прибора и т.д.
- При подключении шнура питания к розетке, убедитесь, что на нем и на розетке отсутствует пыль, мусор и незакрепленные детали. Убедитесь, что вилка вставлена в розетку до упора.
В случае, если на вилке или розетке присутствует пыль, мусор или незакрепленные части, это может привести к возгоранию или поражению электрическим током. При обнаружении незакрепленных частей на вилке, замените ее.
- Надежно закрепите электрокрышку к внутреннему прибору, а сервисную панель – к наружному прибору.
Если электрокрышка и сервисная панель ненадежно прикреплены соответственно к внутреннему и наружному приборам, это может привести к пожару или поражению электрическим током вследствие попадания пыли, воды и т.д. внутрь приборов.
- При установке, перемещении или техобслуживании прибора следите за тем, чтобы в охлаждающий контур не попало другое вещество, за исключением указанного хладагента (R410A).
Присутствие какого-либо инородного вещества, например, воздуха, может привести к аномальному повышению давления, следствием которого может стать взрыв или травма. Использование любого иного хладагента, кроме указанного для системы, приведет к механическому отказу, неисправности системы или поломке прибора. В худшем случае это может привести к серьезному препятствию для обеспечения безопасности изделия.
- Запрещается выпускать хладагент в атмосферу. В случае утечки хладагента при установке, проветрите помещение. Если хладагент вступит в контакт с пламенем, возможно генерирование вредного газа. Утечка хладагента может стать причиной удущья. Обеспечьте вентиляцию в соответствии с EN378-1.
- Убедитесь в отсутствии утечки газа хладагента после завершения установки.
В случае утечки газа хладагента внутри помещения и его последующего контакта с огнем тепловентилятора, отопителя помещений, печи и т.д. происходит образование вредных для здоровья веществ.
- При установке используйте подходящие инструменты и соединительные материалы.
Давление R410A в 1,6 раза выше, чем R22. Использование не подходящих материалов и не завершение установки может привести к разрыву труб и нанесению увечий.
- При сливании хладагента, останавливайте компрессор до отключения труб с хладагентом.
Если трубы с хладагентом отсоединить при работающем компрессоре и открытом стопорном клапане, возможно засасывание воздуха и чрезмерное повышение давления в контуре охлаждения. Это может привести к разрыву труб или нанесению увечий.
- При установке прибора, надежно подсоедините трубы с хладагентом до запуска компрессора.
Если компрессор запускается до подсоединения труб с хладагентом и при открытом стопорном клапане, возможно засасывание воздуха и чрезмерное повышение давления в контуре охлаждения. Это может привести к разрыву труб или нанесению увечий.
- Затягивайте конусную гайку с помощью тарированного ключа с крутящим моментом, указанным в данном руководстве. Слишком сильная затяжка конусной гайки может привести к поломке гайки через некоторое время, результатом чего станет утечка хладагента.
- Прибор необходимо устанавливать в соответствии с национальными нормами в сфере электропроводки.

⚠ ОСТОРОЖНО (Неправильное выполнение данной инструкции в определенных условиях может привести к тяжелой травме.)

- Устанавливайте прерыватель утечки тока на землю, в зависимости от места установки.
Если прерыватель утечки тока на землю не установлен, возможно поражение электрическим током.
- Надежно выполняйте соединения дренажных труб/трубных соединений в соответствии с требованиями "Руководства по установке".
В случае дефекта соединений дренажных труб/трубных соединений возможен капающий вода из прибора и повреждение имущества в помещении вследствие намокания.
- Не дотрагивайтесь до воздухооборудования и алюминиевого ребор внешнего устройства.
Это может нанести увечья.
- Не устанавливайте внешний прибор в местах обитания мелких животных.
Мелкие животные могут проникнуть внутрь прибора и дотронуться до внутренних электрических частей, приведя к неисправности, выделению дыма или возгоранию. Кроме того, порекомендуйте пользователем поддерживать территорию вокруг прибора в чистоте.

1-2. ВЫБОР МЕСТА УСТАНОВКИ

ВНУТРЕННИЙ ПРИБОР

- Где нет преград на пути движения воздушного потока.
- Где воздух распространяется по всем углам помещения.
- Прочная стена и отсутствие вибрации.
- Где прибор не подвержен воздействию прямых солнечных лучей. Не подвергать воздействию прямых солнечных лучей в период после распаковки и началом использования.
- Где обеспечивается легкость дренажа.
- На расстоянии по меньшей мере 1 м от телевизора и радиоприемника. При работе кондиционера воздуха возможно возникновение помех приему радио- или телевизионных. Для нормального приема теле- и радиовещания может потребоваться усилитель.
- Как можно дальше от люминесцентных ламп и ламп накаливания (с тем, чтобы можно было использовать пульт дистанционного управления для нормальной работы с прибором).
- Где можно легко снимать и устанавливать на место воздушный фильтр.

ДИСТАНЦИОННОЕ УПРАВЛЕНИЕ

- Где им легко пользоваться, и где его хорошо видно.
- Вне досягаемости детей.
- Выберите положение, в котором внутренний прибор может получать сигнал от пульта дистанционного управления надлежащим образом. Убедитесь в том, что с этой позиции сигналы с пульта дистанционного управления безошибочно принимаются внутренним прибором (при приеме сигнала слышен одиночный или двукратный тональный гудок). Затем прикрепите держатель пульта дистанционного управления к колонне или стене и установите в него беспроводной пульт дистанционного управления.

Примечание:

В помещениях, где используются люминесцентные лампы инверторного типа, сигналы с беспроводного пульта дистанционного управления могут не приниматься прибором.

НАРУЖНЫЙ ПРИБОР

- Где он не подвержен воздействию сильных ветров.
- Где нет преград на пути воздушного потока и нет пыли.
- В месте, которое подвергается наименьшему воздействию дождя и прямого солнечного света.
- Где работа прибора или горячий воздух не мешают соседям.
- Где есть прочная стена или опорная конструкция – это предотвратит повышение уровня рабочего шума или вибрации.
- Где нет риска утечки горячих газов.
- При установке прибора на возвышении, убедитесь в надежности крепления ножек прибора.
- Где прибор будет расположен на расстоянии не менее 3 м от антенны телевизора или радиоприемника. В регионах со слабыми радиоволнами при работе кондиционера возникают помехи при приеме теле- и радиовещания. Для нормального приема теле- и радиовещания может потребоваться усилитель.
- Устанавливайте прибор строго горизонтально.
- Производите установку в местах, где отсутствует воздействие снега, льда и снега. В районах с сильным снегопадом установите навес, опору и/или несколько отражательных перегородок.

Примечание:

Рекомендуется сделать трубную петлю рядом с наружным прибором для уменьшения передаваемой отсюда вибрации.

Примечание:

При эксплуатации кондиционера при низкой температуре наружного воздуха обязательно следуйте приведенным ниже инструкциям.

- Запрещается устанавливать наружный прибор в местах, где воздухозаборное/воздуховыпускное отверстие могут находиться под непосредственным воздействием ветра.
- Во избежание воздействия ветра наружный прибор необходимо устанавливать так, чтобы его воздухозаборное отверстие было обращено к стене.
- Во избежание воздействия ветра со стороны воздуховыпускного отверстия наружного прибора рекомендуется установить отражательную перегородку.

При выборе места установки избегайте следующих мест, в которых возможно появление неисправностей в работе кондиционера.

- В местах, где возможна утечка воспламеняющегося газа.
- В местах, где много машинного масла.
- В местах возможного разбрызгивания масла или там, где возможно наличие масляного дыма (например, местах приготовления пищи и фабриках, где возможно повреждение или деформация пластика).
- В местах, где много соли, например, на морском побережье.
- В местах образования сероводородного газа, например, рядом с горячим природным источником.
- В местах с наличием высококачественного или беспроводного оборудования.
- Где существуют значительные выбросы летучих органических соединений, включая соединения фталата, формальдегид и т.д., которые могут вызвать химическое разложение.

1-3. ХАРАКТЕРИСТИКИ

Модель		Питание *1		Характеристики проводов *2		Размер труб (толщина *3, *4)	
Внутренний прибор	Наружный прибор	Номинальное напряжение	Частота	Емкость прерывателя	Питание (3-жильный)	Газ / Жидкость	
MFZ-KJ25VE MFZ-KJ35VE	MUFZ-KJ25VE(HZ) MUFZ-KJ35VE	230 V	50 Hz	10 A	1,0 мм ²	4-жильный 2,0 мм ²	ø9,52 / 6,35 мм (0,8 мм)
MFZ-KJ35VE	MUFZ-KJ35VE(HZ)			12 A	1,5 мм ²		
MFZ-KJ50VE	MUFZ-KJ50VE(HZ)			16 A	2,0 мм ²		

(KJ25, 35/KJ50)

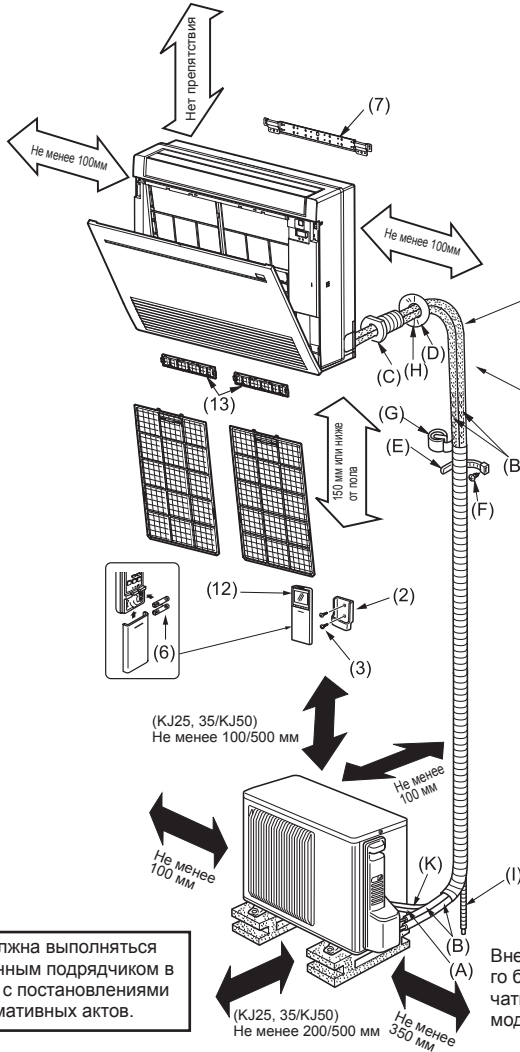
Пропорции длины и высоты труб	
Максимальная длина труб	20/30 м
Макс. разность высот	12/15 м
Макс. количество изгибов *5, *6	10
Настройка хладагента А *7	30/20 г/м
Толщина изоляции *8, *9	8 мм

- *1 Подсоедините к выключателю питания с зазором не менее 3 мм в разомкнутом положении для прерывания фазы источника питания. (В разомкнутом положении выключатель питания должен отсоединять все фазы.)
 *2 Используйте провода, соответствующие конструкции 60245 IEC 57.
 *3 Никогда не используйте трубы, с толщиной, меньше указанной. Сопротивление давления будет недостаточным.
 *4 Используйте медную трубу или бесшовную трубу из сплава меди.

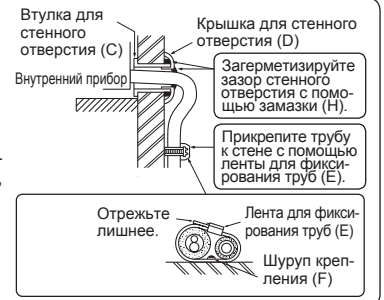
- *5 Будьте осторожны при сгибании трубы, во избежание ее повреждения.
 *6 Радиус изгиба трубы с хладагентом должен быть не менее 100 мм.
 *7 Если длина трубы превышает 7 м, необходима заправка дополнительным хладагентом (R410A). (Если длина труб не превышает 7 м, заправка дополнительного хладагента не требуется.)
 Дополнительный хладагент = А × (длина трубы (м) - 7)

- *8 Изоляционный материал: Жаростойкий пенопласт с зернистостью 0,045
 *9 Используйте изоляцию указанной толщины. Чрезмерная толщина изоляции может привести к неправильной установке внутреннего прибора, а недостаточная толщина может вызвать капание влаги.

1-4. МОНТАЖНАЯ СХЕМА

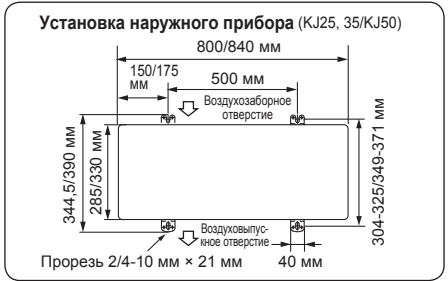


Обязательно используйте втулку для стенового отверстия (С) в целях предотвращения контакта соединительного провода (А) внутреннего/наружного прибора с металлическими деталями стенового перекрытия, а также для предотвращения повреждения проводов крысами, если стена полая.



После проверки на отсутствие утечек плотно нанесите изоляционный материал, чтобы обеспечить отсутствие зазоров.

В случае крепления трубопроводов к стене, содержащей металл (обшитые белой жстью) или металлическую сетку, установите химически обработанную деревянную пластину толщиной не менее 20 мм между стеной и трубами, или оберните трубы виниловой изоляцией 7 - 8 раз. Для использования имеющегося трубопровода выполните операцию СООЛ (ОХЛАЖДЕНИЕ) в течение 30 минут и осуществите отчку перед демонтажем старого кондиционера. Повторно смонтируйте ратруб в соответствии с размером для нового количества хладагента.



Установка должна выполняться лицензированным подрядчиком в соответствии с постановлениями местных нормативных актов.

ДОПОЛНИТЕЛЬНЫЕ ПРИНАДЛЕЖНОСТИ

Перед установкой проверьте наличие следующих деталей.

(1) Дренажный шланг*	1
(2) Держатель пульта дистанционного управления	1
(3) Шуруп для крепления (2) 3,5 × 16 мм (Черный)	2
(4) Крышка трубы	1
(5) Лента	2
(6) Батарейка (AAA) для (12)	2
(7) Крепежный кронштейн внутреннего прибора	1
(8) Крепежный винт для (7) 4 × 25 мм	5
(9) Шуруп для крепления внутреннего прибора	4
(10) Прокладка для (9)	4
(11) Войлочная лента (Используется для трубопроводов слева или слева сзади)	1
(12) Беспроводной пульт дистанционного управления	1
(13) Воздухоочистительный фильтр	2

*** Примечание:**

Дренажный шланг подключен к блоку.

<Наружный прибор>

(14) Дренажное отверстие (Только тип VE)	1
--	---

ДЕТАЛИ, КОТОРЫЕ НЕОБХОДИМО ПРИОБРЕСТИ НА МЕСТЕ

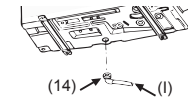
(A) Соединительный провод внутреннего/наружного прибора*	1
(B) Удлинительная труба	1
(C) Втулка для стенового отверстия	1
(D) Крышка для стенового отверстия	1
(E) Лента для фиксирования труб	2 - 5
(F) Шуруп крепления для (E) 4 × 20 мм	2 - 5
(G) Лента для труб	1
(H) Замазка	1
(I) Дренажный шланг (или мягкий шланг из ПВХ с внутренним диаметром 15 мм или твердая труба из ПВХ VP16)	1 или 2
(J) Охлаждающее масло	1
(K) Шнур источника питания*	1

*** Примечание:**

Разместите соединительный провод внутреннего/наружного прибора (А) и шнур источника питания (К) как минимум на расстоянии 1 м от провода телевизионной антенны.

Трубопроводы дренажной системы наружного прибора <Только тип VE>

- Выполните прокладку трубопроводов дренажной системы перед соединением трубопроводов внутреннего и наружного приборов.
- Подсоедините дренажный шланг (I) с внутренним диаметром 15 мм, как показано на рисунке.
- Обязательно проложите трубопроводы дренажной системы с наклоном вниз по направлению слива.



Примечание:

Устанавливайте прибор строго горизонтально. Не используйте дренажное отверстие (14) в районах с холодным климатом. Дренаж может замерзнуть, что приведет к останову вентилятора.

При нагреве наружный прибор выделяет конденсат. Выберите место для установки так, чтобы наружный прибор и земля под ним не смачивались сливной водой и чтобы не было риска повреждения прибора при замерзании воды.

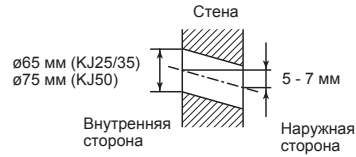
2. УСТАНОВКА ВНУТРЕННЕГО ПРИБОРА

2-1. КРЕПЛЕНИЕ МОНТАЖНОГО КРОНШТЕИНА ВНУТРЕННЕГО ПРИБОРА

- Найдите в стене элемент конструкции (например, стойку) и закрепите кронштейн (7) в горизонтальном положении с помощью шурупов крепления (8).
- Для предотвращения вибрации кронштейна (7) обязательно установите шурупы крепления в отверстия, показанные на рисунке. Для обеспечения дополнительной поддержки шурупы крепления также можно установить в другие отверстия.

2-2. СВЕРЛЕНИЕ ОТВЕРСТИЙ

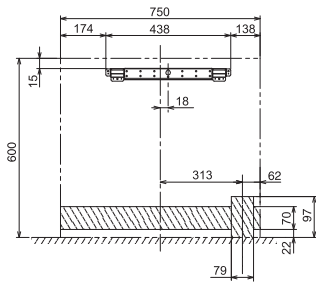
- 1) Определите расположение стенового отверстия.
- 2) Просверлите отверстие диаметром 65 мм. (диам. 75 мм для KJ50) Наружная сторона должна быть на 5-7 мм ниже внутренней стороны.
- 3) Вставьте втулку для стенового отверстия (С).



МЕСТОПОЛОЖЕНИЯ ОТВЕРСТИЙ

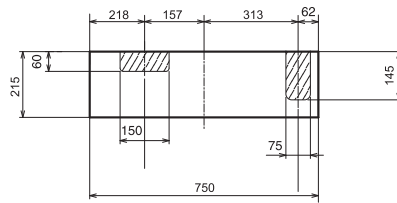
ДЛЯ ТРУБОПРОВОДА СЗАДИ ИЛИ СЛЕВА СЗАДИ

(Рисунок ниже представляет собой вид спереди места установки внутреннего прибора.)



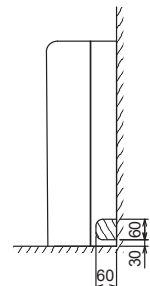
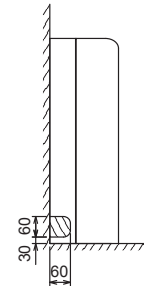
ДЛЯ ТРУБОПРОВОДА СПРАВА ПО НАПРАВЛЕНИЮ ВНИЗ ИЛИ СЛЕВА ПО НАПРАВЛЕНИЮ ВНИЗ

(Рисунок ниже представляет собой вид нижней части внутреннего прибора, если смотреть сверху.)



ДЛЯ ЛЕВОГО ТРУБОПРОВОДА

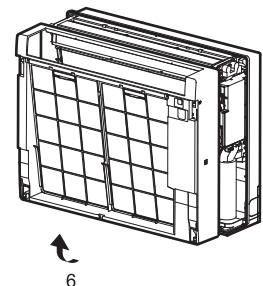
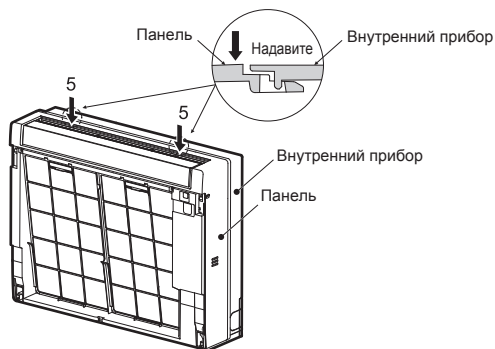
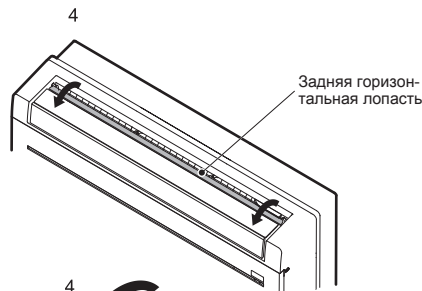
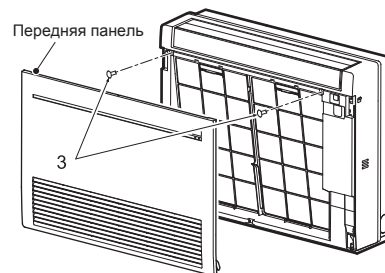
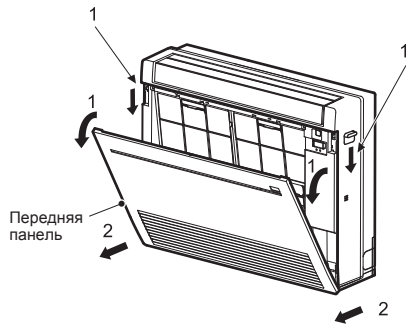
ДЛЯ ПРАВОГО ТРУБОПРОВОДА



2-3. ПОДГОТОВКА ВНУТРЕННЕГО ПРИБОРА

Снимите переднюю панель внутреннего блока.

- 1) Нажмите язычки, расположенные по обеим сторонам прибора, и откройте переднюю решетку.
- 2) Для снятия передней решетки потяните ее на себя.
- 3) Открутите 2 винта.
- 4) Откройте заднюю горизонтальную лопасть.
- 5) Нажмите на 2 точки, расположенные сверху на панели, затем потяните верхнюю часть панели на себя.
- 6) Снимите панель приподняв ее вверх (немного).



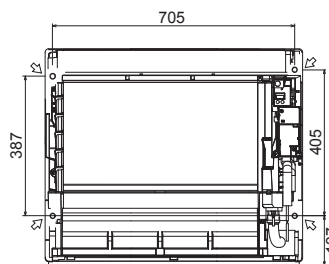
2-4. УСТАНОВКА ВНУТРЕННЕГО ПРИБОРА

2-4-1. УСТАНОВКА ВНУТРЕННЕГО ПРИБОРА НА ПОЛУ

1. Поместите внутренний прибор на плоскую поверхность пола.
2. Закрепите внутренний прибор в 4-х местах с помощью входящих в комплект поставки шурупов (9) и шайб (10). Надежно затяните шурупы.

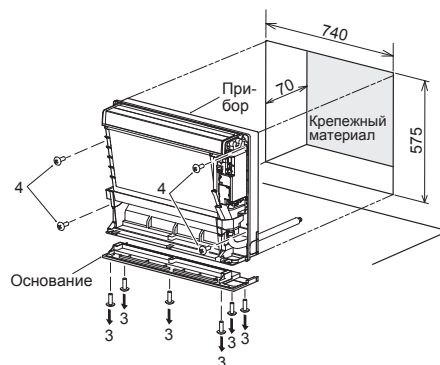
2-4-2. УСТАНОВКА ВНУТРЕННЕГО ПРИБОРА НА СТЕНЕ

1. Наденьте верхнюю часть внутреннего прибора на крепежный кронштейн внутреннего прибора (7).
2. Закрепите внутренний прибор в 4-х местах с помощью входящих в комплект поставки шурупов (9) и шайб (10). Надежно затяните шурупы.



2-4-3. ВСТРАИВАНИЕ ВНУТРЕННЕГО ПРИБОРА В СТЕНУ

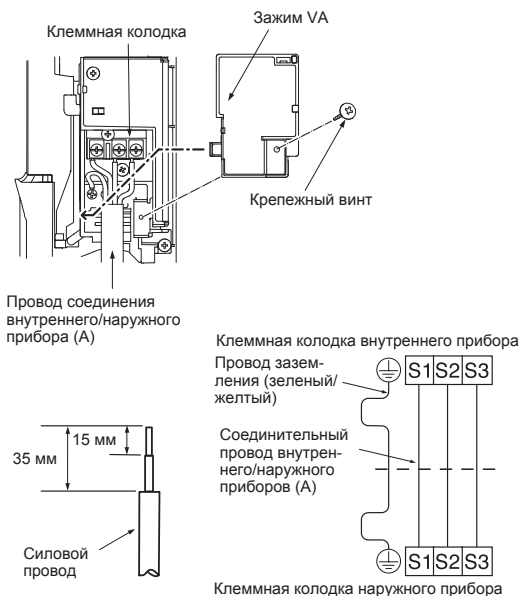
1. Сделайте отверстие в стене.
2. С помощью крепежного материала отрегулируйте глубину.
3. Снимите 6 винтов, с помощью которых основание крепится к прибору. Снимите основание с прибора.
4. Закрепите внутренний прибор в 4-х местах с помощью входящих в комплект поставки шурупов (9) и шайб (10). Надежно затяните шурупы.



2-5. СОЕДИНИТЕЛЬНЫЕ ПРОВОДА ДЛЯ ВНУТРЕННЕГО ПРИБОРА

- 1) Снимите зажим VA.
- 2) Проложите соединительный провод внутреннего/наружного приборов (A) с задней стороны внутреннего прибора и обработайте конец провода.
- 3) Ослабьте винт клеммной колодки и подсоедините сначала провод заземления, затем соединительный провод внутреннего/наружного приборов (A) к клеммной колодке. Следите за правильностью подсоединения проводов. Плотно прикрепите провод к клеммной колодке, следя за тем, чтобы сердечник провода не был виден, и чтобы к соединительной секции клеммной колодки не прилагалось внешнего усилия.
- 4) Плотно затягивайте винты клеммной колодки для предотвращения их ослабления. После затяжки винтов слегка потяните за провода, чтобы убедиться в их неподвижности.
- 5) Зафиксируйте соединительный провод (A) внутреннего/наружного прибора и провод заземления с помощью зажима VA. Обязательно навесьте левый выступ зажима VA. Надежно присоедините зажим VA.

- Провод заземления должен быть немного длиннее других. (больше чем на 45 мм)
- Для облегчения проведения техобслуживания в будущем оставьте припуск длины соединительных проводов.
- Не сбивайте остаток провода и не размещайте его в небольшом пространстве. Будьте осторожны, чтобы не повредить проводку.
- Обязательно присоедините каждый винт к соответствующей клемме при фиксации шнура и/или провода к клеммному блоку.



2-6. ПРИДАНИЕ ФОРМ ТРУБАМ И УСТАНОВКА

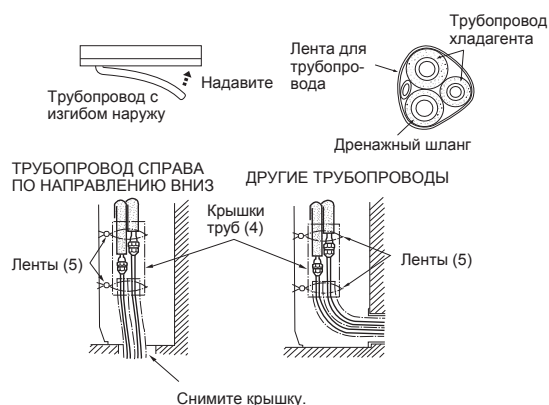
Придание форм трубам

- Проложите дренажный шланг по диагонали под соединительными трубами.
- Убедитесь, что дренажный шланг не проложен по направлению вверх, и что в нем нет изгибов.
- Не тяните за дренажный шланг и оберните его лентой.
- Проложите трубопровод так, чтобы он не выдавался за заднюю часть внутреннего прибора. (См. рисунок справа.)

Установка соединительной трубы

- Установите соединительные трубы так, чтобы трубопровод можно было слегка двигать вперед, назад, влево и вправо.

- Изолируйте соединительные трубы так, чтобы они не касались панели.
- Соблюдайте осторожность, чтобы не сломать соединительные трубы при сгибании.



ДЛЯ ТРУБОПРОВОДОВ СЛЕВА ИЛИ СЛЕВА СЗАДИ

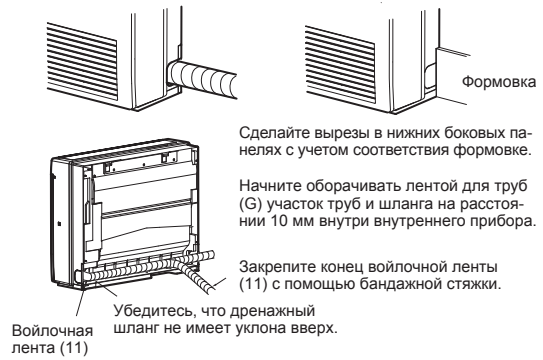
Свяжите соединительные трубы и дренажный шланг вместе, затем оберните их войлочной лентой (11).

Вырежьте отверстия в нижних боковых панелях слева и справа внутренне-го прибора, как показано ниже.

Отшлифуйте края обрезки боковых панелей, чтобы они не повредили изоляционное покрытие.

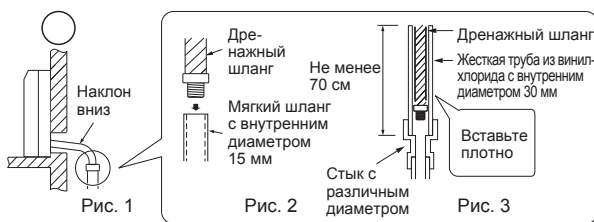
- Для левого или правого трубопроводов
- Установка заподлицо к стене с формовкой

Плотно оберните войлочную ленту (11) вокруг труб и шланга, начиная примерно с того места, в котором трубы и шланг выходят из внутреннего прибора. (Ширина перехлеста войлочной ленты (11) не должна превышать 1/2 ширины ленты.)

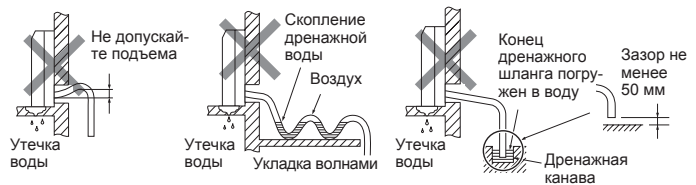


2-7. ДРЕНАЖНЫЙ ТРУБОПРОВОД

- Если удлинительный дренажный шланг будет прокладываться в помещении, обязательно оберните его изоляционным материалом, имеющимся в продаже.
- Для обеспечения оптимального дренажа дренажный шланг должен иметь наклон вниз. (Рис. 1)
- Если дренажный шланг, который был поставлен с внутренним прибором слишком короткий, соедините его с дренажным шлангом (I), который необходимо приобрести на месте. (Рис. 2)
- При подключении дренажного шланга к твердой винилхлоридной трубе обязательно плотно вставляйте его в трубу. (Рис. 3)

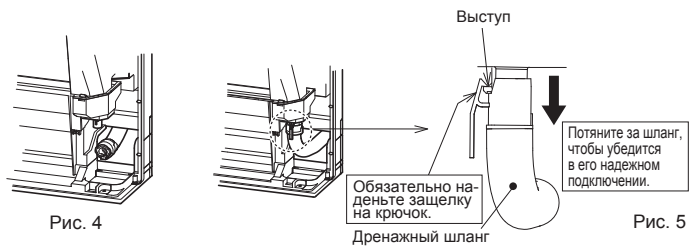


Не прокладывайте дренажный трубопровод так, как показано.



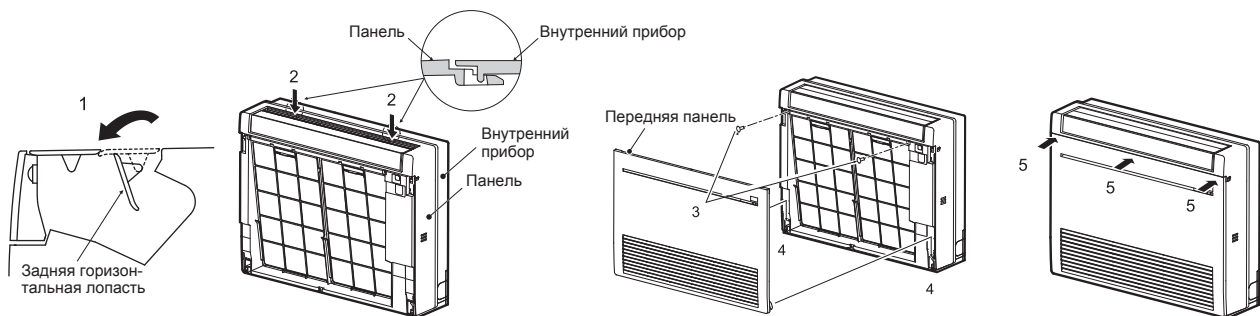
Дренажный шланг отсоединен при установке.

- При прокладке дренажного трубопровода, убедитесь, что дренажный шланг (1) проложен в соответствии с рисунком. (Рис. 4)
- Вставьте дренажный шланг по всей его длине в основание дренажного поддона (концевое соединение). (Рис. 5) Убедитесь, что защелка дренажного шланга надежно зацепилась за выступ для крепления шланга на дренажном поддоне.
- После подключения дренажного шланга убедитесь в надежности его подключения, потянув за шланг.



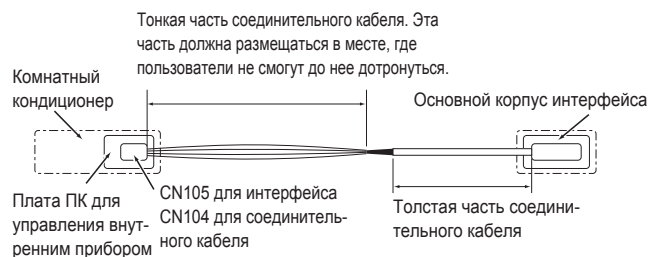
2-8. УСТАНОВКА ПЕРЕДНЕЙ ПАНЕЛИ

- 1) Откройте заднюю горизонтальную лопасть.
- 2) Прикрепите панель. Защелкните защелки.
- 3) Закрепите панель с помощью винтов.
- 4) Вставьте нижнюю часть передней панели.
- 5) Надавите в 3-х местах на верхнюю часть передней панели, чтобы закрыть ее.



2-9. ПОДКЛЮЧЕНИЕ ИНТЕРФЕЙСА (дополнительно)/СОЕДИНИТЕЛЬНОГО КАБЕЛЯ (дополнительно) К КОНДИЦИОНЕРУ

- Подключите интерфейс/соединительный кабель к плате ПК для управления внутренним прибором кондиционера с помощью соединительного кабеля.
- Обрезка или удлинение соединительного кабеля интерфейса/соединительного кабеля приведет к дефектам подключения. Не соединяйте соединительный кабель с кабелем питания, кабелем для соединения внутреннего и наружного прибора и кабелем заземления. Расстояние между соединительным кабелем и вышеперечисленными проводами должно быть максимальным.
- Тонкая часть соединительного кабеля должна храниться и размещаться в месте, где пользователи не смогут до нее дотронуться.

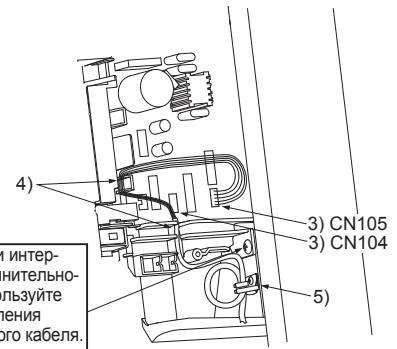


- 1) Снимите панель.
- 2) Откройте крышку платы ПК для управления внутренним прибором.
- 3) Подключите соединительный кабель к клемме CN105 и/или CN104 на плате ПК для управления внутренним прибором.
- 4) Проведите соединительный кабель через точку, показанную на рисунке.
- 5) Прикрепите кабельный зажим, входящий в комплект интерфейса/соединительного кабеля, к толстой части соединительного кабеля с помощью винта 4×16, как показано на рисунке.
- 6) Закройте крышку платы ПК для управления внутренним прибором. Следите за тем, чтобы не зажать крышкой тонкую часть соединительного кабеля. Установите на место панель.

⚠ ПРЕДУПРЕЖДЕНИЕ

Плотно закрепите соединительный кабель в указанном положении. При неправильной установке возможны поражение током, пожар или неисправность прибора.

При креплении интерфейса и соединительного кабеля используйте винт для крепления соединительного кабеля.

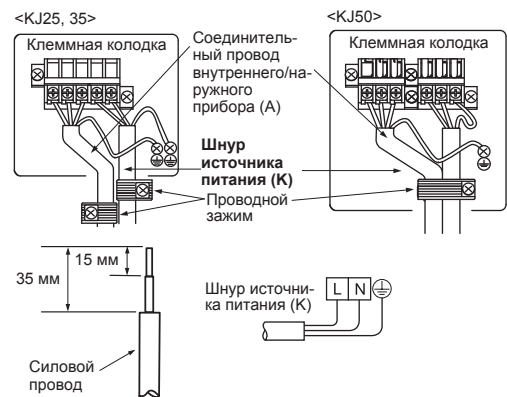


3. УСТАНОВКА НАРУЖНОГО ПРИБОРА

3-1. СОЕДИНИТЕЛЬНЫЕ ПРОВОДА ДЛЯ НАРУЖНОГО ПРИБОРА

- 1) Откройте сервисную панель.
- 2) Ослабьте винт клеммной колодки и подсоедините соответствующим образом соединительный провод внутреннего/наружного приборов (А) от наружного прибора к клеммной колодке. Следите за правильностью подсоединения проводов. Плотно прикрепите провод к клеммной колодке, следя за тем, чтобы сердечник провода не был виден, и чтобы к соединительной секции клеммной колодки не прилагалось внешнего усилия.
- 3) Плотно затягивайте винты клеммной колодки для предотвращения их ослабления. После затяжки винтов слегка потяните за провода, чтобы убедиться в их неподвижности.
- 4) Подсоедините шнур источника питания (К).
- 5) Закрепите соединительный провод внутреннего/наружного приборов (А) и шнур источника питания (К) с помощью проводного зажима.
- 6) Закройте надежно сервисную панель.

- Провод заземления может быть немного длиннее других. (длиннее примерно на 100 мм)
- Для облегчения проведения техобслуживания в будущем оставьте припуск длины соединительных проводов.
- Обязательно присоедините каждый винт к соответствующей клемме при фиксации шнура и/или провода к клеммному блоку.



3-2. РАЗВАЛЬЦОВКА

- 1) Правильно режьте медную трубу с помощью трубореза. (Рис. 1, 2)
- 2) Полностью удалите заусенцы с разрезанного поперечного сечения трубы. (Рис. 3)
 - При удалении заусенцев наклоните трубу вниз, чтобы удаленные заусенцы не попали внутрь трубы.
- 3) Снимите конусные гайки, прикрепленные к внутреннему и наружному приборам, затем насадите их на трубу после полного удаления заусенцев. (после развальцовки насадка гаек невозможна.)
- 4) Развальцовка (Рис. 4, 5). Полностью соблюдайте размеры медной трубы, указанные в таблице. Выберите А мм из таблицы в соответствии с используемым инструментом.
- 5) Проверьте
 - Сравните развальцовку с Рис. 6.
 - При обнаружении дефекта на развальцовке обрежьте развальцованный участок и выполните развальцовку снова.



Рис. 1



Рис. 2



Рис. 3



Рис. 4

Диаметр трубы (мм)	Гайка (мм)	А (мм)			Крутящий момент затяжки	
		Инструмент зажимного типа для R410A	Инструмент зажимного типа для R22	Инструмент барашковой гайки для R22	Н·м	кгс·см
ø 6,35 (1/4")	17	0 - 0,5	1,0 - 1,5	1,5 - 2,0	13,7 - 17,7	140 - 180
ø 9,52 (3/8")	22				34,3 - 41,2	350 - 420
ø 12,7 (1/2")	26			2,0 - 2,5	49,0 - 56,4	500 - 575
ø 15,88 (5/8")	29				73,5 - 78,4	750 - 800

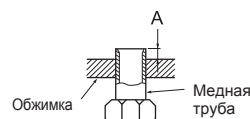


Рис. 5

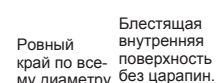


Рис. 6

3-3. СОЕДИНЕНИЕ ТРУБ

- Затягивайте конусную гайку тарированным ключом, соблюдая крутящий момент, указанный в таблице.
- Слишком сильная затяжка конусной гайки может привести к поломке гайки через некоторое время, результатом чего станет утечка хладагента.
- Обязательно оберните трубы изоляционной обмоткой. Непосредственный контакт с неизолированным трубопроводом может привести к ожогам или обморожению.

Соединение внутреннего прибора

Подсоедините трубы для жидкости и трубы для газа к внутреннему прибору.

- Нанесите тонкий слой охлаждающего масла (J) на раструбы труб. Не допускайте попадания охлаждающего масла на резьбу винтов. Приложение чрезмерного крутящего момента затяжки приведет к повреждению винтов.
- При подсоединении сначала выровняйте центр, затем затяните конусную гайку на первые 3 - 4 оборота.
- Используя таблицу выше с крутящим моментом в качестве руководства при затягивании муфтового соединения со стороны внутреннего прибора, затяните гайки с помощью двух гаечных ключей. Чрезмерная затяжка может повредить развальцованный участок.

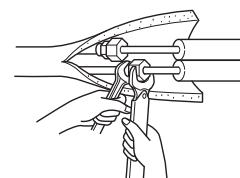
Соединение наружного прибора

Подсоедините трубы к стыку стопорного клапана наружного прибора таким же образом, как и для внутреннего прибора.

- При затяжке используйте тарированный или гаечный ключ, и соблюдайте те же требования по крутящему моменту, что и для внутреннего прибора.

3-4. ИЗОЛЯЦИЯ И ОБМОТКА ЛЕНТОЙ

- 1) Оберните трубные стыки изоляцией для труб.
- 2) Со стороны наружного прибора обязательно оберните все трубы, включая клапаны.
- 3) Используя ленту для труб (G), оберните трубы, начиная со входа наружного прибора.
 - Зафиксируйте конец ленты для труб (G) лентой (с нанесенным на нее клеящим составом).
 - При прокладке труб над потолком, в стеновых шкафах или в местах с высокой температурой или влажностью, оберните их дополнительной изоляцией, имеющейся в продаже, для предотвращения образования конденсата.



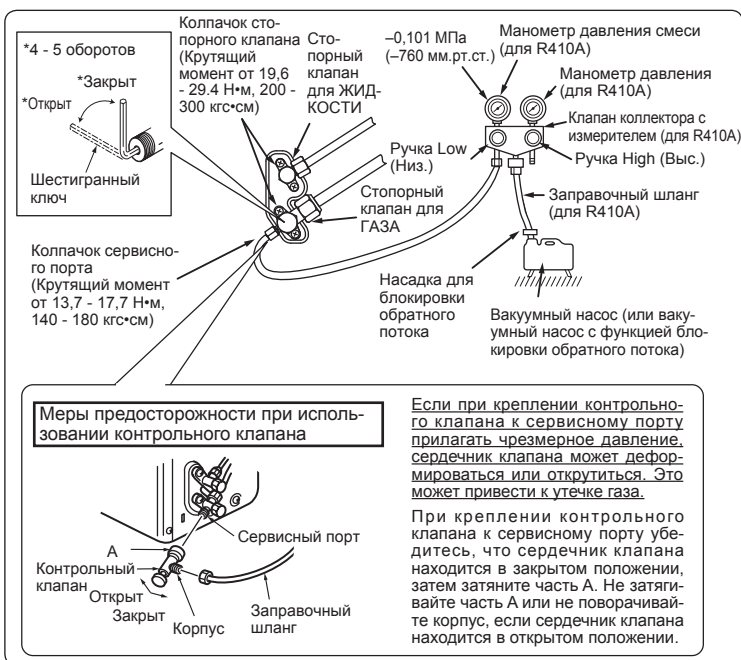
⚠ ПРЕДУПРЕЖДЕНИЕ

При установке прибора, надежно подсоедините трубы с хладагентом до запуска компрессора.

4. ПРОЦЕДУРЫ ПРОДУВКИ, ПРОВЕРКА НА ОТСУТСТВИЕ УТЕЧЕК И ТЕСТОВЫЙ ПРОГОН

4-1. ПРОЦЕДУРЫ ПРОДУВКИ И ПРОВЕРКА НА ОТСУТСТВИЕ УТЕЧЕК

- 1) Снимите колпачок сервисного порта на стопорном клапане со стороны трубы для газа наружного прибора. (В изначальном виде запорные клапаны полностью закрыты и прикрыты колпачками.)
- 2) Подключите клапан коллектора с измерителем и вакуумный насос к сервисному порту стопорного клапана на стороне трубы для газа наружного прибора.
- 3) Включите вакуумный насос. (Продолжайте создавать вакуум в течение не менее 15 минут.)
- 4) Проверьте вакуум с помощью клапана коллектора с измерителем, затем закройте клапан коллектора с измерителем и остановите вакуумный насос.
- 5) Оставьте систему в таком состоянии на одну-две минуты. Убедитесь, что стрелка на клапане коллектора с измерителем остается в неподвижном состоянии. Убедитесь, что манометр показывает разрежение $-0,101$ МПа [маном.] (-760 мм.рт.ст.).
- 6) Быстро снимите клапан коллектора с измерителем с сервисного порта стопорного клапана.
- 7) После подсоединения труб хладагента и их продувки полностью откройте все стопорные клапаны с обеих сторон трубы для газа и трубы для жидкости. При эксплуатации прибора с не полностью открытыми клапанами снижается его эффективность, что приводит к неисправностям.
- 8) См. п. 1-3. и заправьте предписанное количество хладагента, если необходимо. При работе с жидким хладагентом обязательно осуществляйте заправку медленно. В противном случае состав хладагента в системе может измениться, что отрицательно повлияет на производительность кондиционера.
- 9) Затяните колпачок сервисного порта для возврата к исходному состоянию.
- 10) Проверка на отсутствие утечек



4-2. ТЕСТОВЫЙ ПРОГОН

Убедитесь, что выполнено следующее.

- Панель установлена надлежащим образом.
 - Внутренний и наружный приборы установлены надлежащим образом и осуществляется подача электропитания.
- 1) Нажмите однократно Е.О. SW для включения режима COOL (ОХЛАЖДЕНИЕ) и дважды для включения режима HEAT (ОБОГРЕВ). В течение 30 минут будет выполняться тестовый прогон. Если левая лампочка индикатора работы прибора мигает каждые 0,5 секунды, проверьте правильность подключения соединительного провода внутреннего/наружного приборов (А). После тестового прогона запустится аварийный режим (заданная температура 24°C).
 - 2) Для останова работы нажмите кнопку Е.О. SW несколько раз, пока все светодиодные лампы не погаснут. Подробнее см. инструкции по эксплуатации.

Проверка приема (инфракрасного) сигнала с пульта дистанционного управления

Нажмите кнопку ON/OFF (ВКЛ./ВЫКЛ.) на пульте дистанционного управления (12), при этом из внутреннего прибора должен издаваться электронный звуковой сигнал. Нажмите кнопку ON/OFF (ВКЛ./ВЫКЛ.) еще раз, чтобы выключить кондиционер.

• После останова компрессора включается защитное устройство механизма повторного запуска, предотвращающее включение компрессора в течение 3 минут с целью защиты кондиционера.



4-3. ФУНКЦИЯ АВТОЗАПУСКА

Данное изделие оснащено функцией автозапуска. Если в ходе работы прекратится подача электроэнергии, например, при отключении электропитания, данная функция автоматически возобновит работу с предыдущими настройками после восстановления электропитания. (Подробнее см. инструкции по эксплуатации.)

Осторожно:

- После тестового прогона или проверки приема сигнала с пульта дистанционного управления отключите прибор кнопкой Е.О. SW или с пульта дистанционного управления перед отключением электропитания. Если этого не сделать, прибор начнет работу автоматически при возобновлении электропитания.

Для пользователя

- После установки прибора обязательно расскажите пользователю о функции автозапуска.
- Если функция автозапуска не нужна, ее можно отключить. Свяжитесь с представителем сервисной службы, чтобы отключить данную функцию. Подробнее см. инструкции по обслуживанию.

4-4. ПОЯСНЕНИЕ ДЛЯ ПОЛЬЗОВАТЕЛЯ

- Используя ИНСТРУКЦИИ ПО ЭКСПЛУАТАЦИИ, объясните пользователю, как эксплуатировать кондиционер (как пользоваться пультом дистанционного управления, как снимать воздушные фильтры, как вынимать и вставлять пульт дистанционного управления в держатель пульта дистанционного управления, как осуществлять чистку, меры предосторожности при эксплуатации и т.д.)
- Посоветуйте пользователю внимательно прочитать ИНСТРУКЦИИ ПО ЭКСПЛУАТАЦИИ.

5. ОТКАЧКА

При установке на новом месте или утилизации кондиционера, выполните откачку системы в соответствии с процедурой ниже, чтобы в атмосферу не попал хладагент.

- 1) Подключите клапан коллектора с измерителем к сервисному порту стопорного клапана на стороне трубы для газа наружного прибора.
- 2) Полностью закройте стопорный клапан на стороне трубы для жидкости наружного прибора.
- 3) Закройте стопорный клапан на стороне трубы для газа наружного прибора почти до конца, чтобы его можно было легко закрыть полностью, когда стрелка манометра будет указывать на значение в 0 МПа [маном.] (0 кгс/см 2).
- 4) Включите аварийное управление в режиме ОХЛАЖДЕНИЕ (COOL).
Для запуска аварийного управления в режиме ОХЛАЖДЕНИЕ (COOL) выньте вилку питания из розетки и/или выключите автоматический выключатель. Через 15 секунд вставьте вилку шнура питания в розетку и/или включите выключатель, а затем нажмите Е.О. SW один раз. (В режиме ОХЛАЖДЕНИЕ (COOL) кондиционер может работать непрерывно до 30 минут.)
- 5) Полностью закройте стопорный клапан на стороне трубы для газа наружного прибора, когда стрелка на манометре будет находиться в диапазоне $0,05 - 0$ МПа [маном.] (ок. $0,5 - 0$ кгс/см 2).
- 6) Остановите аварийное управление в режиме ОХЛАЖДЕНИЕ (COOL).
Для останова эксплуатации два раза нажмите Е.О. SW.

▲ ПРЕДУПРЕЖДЕНИЕ

При сливании хладагента, останавливайте компрессор до отключения труб с хладагентом. Попадание внутрь компрессора воздуха и т.п. может привести к взрыву.

This product is designed and intended for use in the residential, commercial and light-industrial environment.

The product at hand is based on the following EU regulations:

2006/95/EC: Low Voltage Directive
2006/42/EC: Machinery Directive
2004/108/EC: Electromagnetic Compatibility Directive
2009/125/EC: Energy-related Products Directive

MITSUBISHI ELECTRIC CORPORATION

HEAD OFFICE: TOKYO BLDG., 2-7-3, MARUNOUCHI, CHIYODA-KU, TOKYO 100-8310, JAPAN
AUTHORIZED REPRESENTATIVE IN EU:
MITSUBISHI ELECTRIC EUROPE B.V.
HARMAN HOUSE, 1 GEORGE STREET, UXBRIDGE, MIDDLESEX UB8 1QQ, U.K.

JG79A762H01